



STATUS®



EN

Jig saw

Original instructions

IT

Seghetto alternativo

Istruzioni originali

DE

Stichsäge

Originalbetriebsanleitung

BG

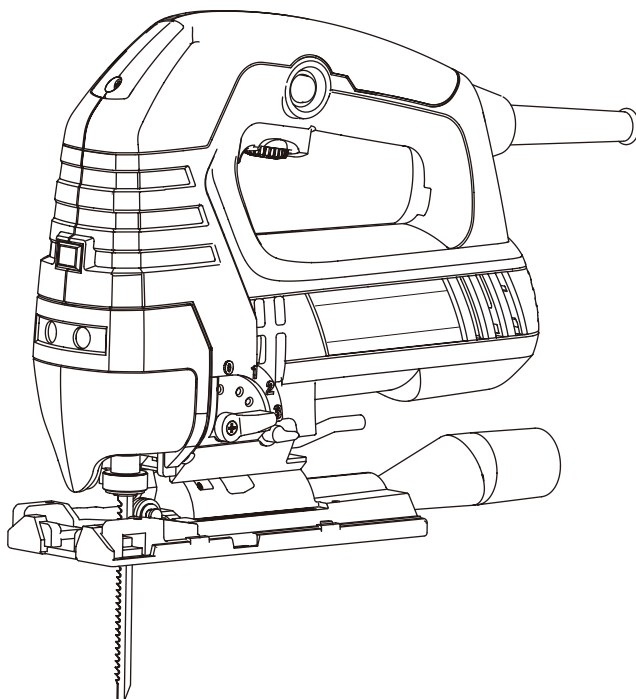
Ножов трион

Оригинална инструкция за използване

RU

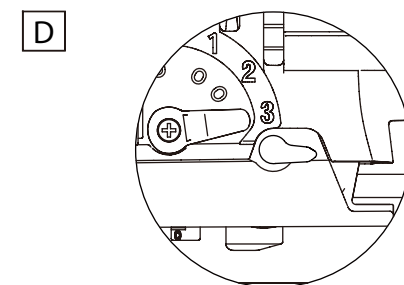
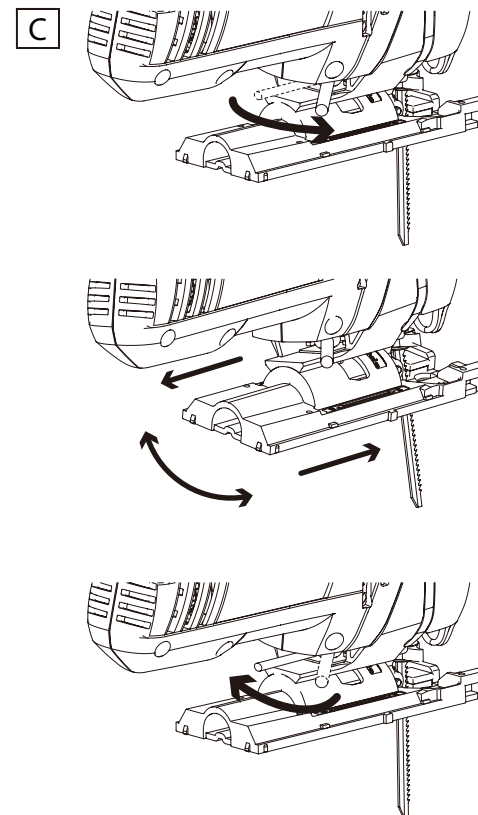
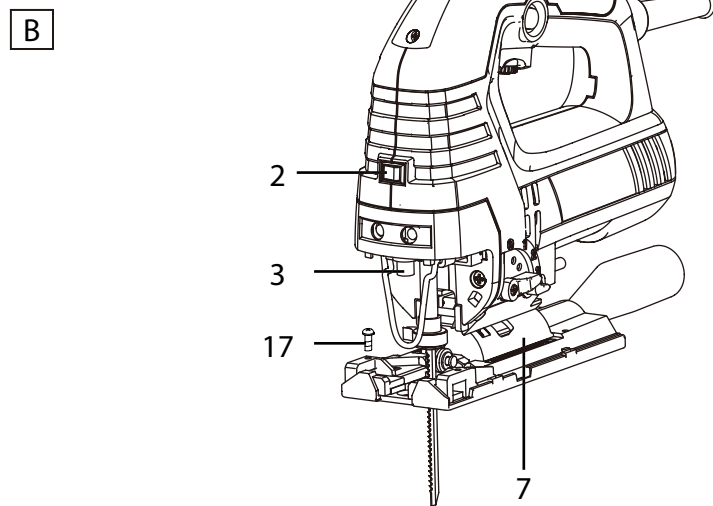
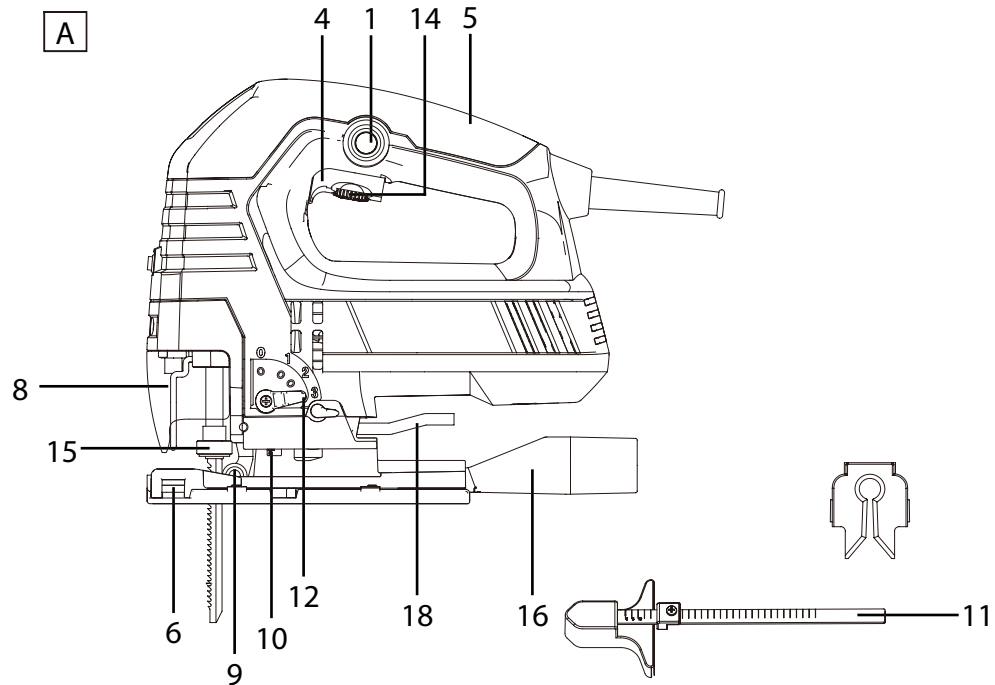
Лобзик

Оригинальная инструкция по эксплуатации

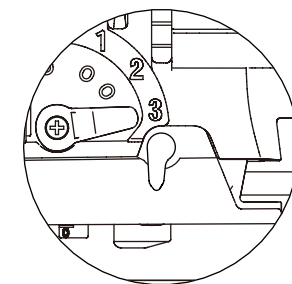


JS750M





Blow effect is on.
Обдув включен.



Blow effect is off.
Обдув выключен.

INTENDED USE

This tool is intended for making cut-throughs and cut-outs in wood, plastic, metal, ceramic plates and rubber, and is suitable for straight and curved cuts with mitre angles to 45°.

GENERAL SAFETY RULES

WARNING! Read all safety warnings and all instructions. Failure to follow the warnings and instructions may result in electric shock, fire and/or serious injury.

Save all warnings and instructions for future reference.

The term "power tool" in the warnings refers to your mains-operated (corded) power tool or batteryoperated (cordless) power tool.

WORK AREA

- **Keep work area clean and well lit.** *Cluttered and dark areas invite accidents.*
- **Do not operate power tools in explosive atmospheres, such as in the presence of flammable liquids, gases or dust.** *Power tools create sparks which may ignite the dust or fumes.*
- **Keep children and bystanders away while operating a power tool.** *Distractions can cause you to lose control.*

ELECTRICAL SAFETY

- **Power tool plugs must match the outlet. Never modify the plug in any way. Do not use any adapter plugs with earthed (grounded) power tools.** *Unmodified plugs and matching outlets will reduce risk of electric shock.*
- **Avoid body contact with earthed or grounded surfaces such as pipes, radiators, ranges and refrigerators.** *There is an increased risk of electric shock if your body is earthed or grounded.*
- **Do not expose power tools to rain or wet conditions.** *Water entering a power tool will increase the risk of electric shock.*
- **Do not abuse the cord. Never use the cord for carrying, pulling or unplugging the power tool. Keep cord away from heat, oil, sharp edges or moving parts.** *Damaged or entangled cords increase the risk of electric shock.*
- **When operating a power tool outdoors, use an extension cord suitable for outdoor use.** *Use of a cord suitable for outdoor use reduces the risk of electric shock.*
- **If operating a power tool in a damp location is unavoidable, use a residual current device (RCD) protected supply.** *Use of an RCD reduces the risk of electric shock.*

PERSONAL SAFETY

- **Stay alert, watch what you are doing and use common sense when operating a power tool. Do not use a power tool while you are tired or under the influence of drugs, alcohol or medication.** *A moment of inattention while operating power tools may result in serious personal injury.*
- **Use safety equipment. Always wear eye protection.** *Safety equipment such as dust mask, non-skid safety shoes, hard hat, or hearing protection used for appropriate conditions will reduce personal injuries.*
- **Avoid accidental starting. Ensure the switch is in the off position before plugging in.** *Carrying power tools with your finger on the switch or plugging in power tools that have the switch on invites accidents.*
- **Remove any adjusting key or wrench before turning the power tool on.** *A wrench or a key left attached to a rotating part of the power tool may result in personal injury.*
- **Do not overreach. Keep proper footing and balance at all times.** *This enables better control of the power tool in unexpected situations.*
- **Dress properly. Do not wear loose clothing or jewellery. Keep your hair, clothing and gloves away from moving parts.** *Loose clothes, jewellery or long hair can be caught in moving parts.*
- **If devices are provided for the connection of dust extraction and collection facilities, ensure these are connected and properly used.** *Use of these devices can reduce dust related hazards.*

POWER TOOL USE AND CARE

- **Do not force the power tool. Use the correct power tool for your application.** *The correct power tool will do the job better and safer at the rate for which it was designed.*
- **Do not use the power tool if the switch does not turn it on and off.** *Any power tool that cannot be controlled with the switch is dangerous and must be repaired.*
- **Disconnect the plug from the power source before making any adjustments, changing accessories, or storing power tools.** *Such preventive safety measures reduce the risk of starting the power tool accidentally.*
- **Store idle power tools out of the reach of children and do not allow persons unfamiliar with the power tool or these instructions to operate the power tool.** *Power tools are dangerous in the hands of untrained users.*
- **Maintain power tools. Check for misalignment or binding of moving parts, breakage of parts and any other condition that may affect the power tools operation. If damaged, have the power tool repaired before use.** *Many accidents are caused by poorly maintained power tools.*
- **Keep cutting tools sharp and clean.** *Properly maintained cutting tools with sharp cutting edges are less likely to bind and are easier to control.*

SAFETY INSTRUCTIONS FOR JIG SAWS

- Use the power tool, accessories and tool bits etc. in accordance with these instructions, taking into account the working conditions and the work to be performed. Use of the power tool for operations different from those intended could result in a hazardous situation.

SERVICE

- Have your power tool serviced by a qualified repair person using only identical replacement parts. This will ensure that the safety of the power tool is maintained.

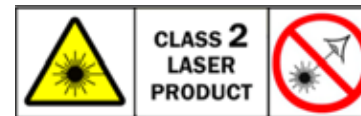
SAFETY INSTRUCTIONS FOR JIG SAWS

- Your tool is double insulated for additional protection against a possible electrical insulation failure within the tool.
- Always remove the plug from the mains socket before making any adjustments or maintenance, including changing the blade.
- Ensure that the lighting is adequate.
- Do not use the saw unless the guards are in place.
- Keep the shoe flat on the work piece.
- Do not put pressure on the saw, such that it slows the motor down. Allow the saw blade to cut without pressure. You will get better results and you will be taking better care of your tool.
- Keep the area free of tripping hazards.
- Do not let anyone under 18 years operate this jigsaw.
- Only use blades in good condition.
- Before cutting, check that there is sufficient clearance for the blade under the work piece.
- Do not touch the blade after operation. It will be very hot.
- Keep your hands away from under the work piece.
- Never use your hands to remove sawdust, chips or waste close by the blade.
- Rags, cloths, cord, string and the like should never be left around the work area.
- Avoid cutting nails. Inspect the work piece and remove all nails and other foreign objects before beginning sawing.
- Support the work properly.
- Never reach over the blade to remove waste or off cuts.
- Do not attempt to free a jammed blade before first switching off the machine.
- If you are interrupted when operating the saw, complete the process and switch off before looking up.
- Periodically check that all nuts, bolts and other fixings are properly tightened.
- Do not store materials or equipment above a machine in such a way that they could fall into it.

SAFETY RULES FOR LASER LIGHTS TOOLS PARTS OVERVIEW

- Hold power tool by insulated gripping surfaces only, when performing an operation where the cutting accessory may contact hidden wiring or its own cord. Cutting accessory contacting a “live” wire may make exposed metal parts of the power tool “live” and could give the operator an electric shock.
- Do not secure the jigsaw upside down in a vice or work bench and use it as a saw bench. This can lead to serious injury.
- When using the jigsaw, use safety equipment including safety goggles or shield, ear defenders, dust mask and protective clothing including safety gloves.
- Leave the jigsaw down only after the blade has come to a standstill. Unattended jigsaw with moving blade can cause a serious injury.

SAFETY RULES FOR LASER LIGHTS



These lasers do not normally present an optical hazard, although staring at the beam may cause flash blindness. **WARNING:** Do not stare directly at the laser beam. A hazard may exist if you deliberately stare into the beam.

- The laser shall be used and maintained in accordance with the manufacturer’s instructions.
- Never aim the beam at any person or an object other than the work piece.
- The laser beam shall not be deliberately aimed at personnel and shall be prevented from being directed towards the eye of a person.
- Always ensure the laser beam is aimed at a sturdy work piece without reflective surfaces i.e. wood or rough coated surfaces are acceptable. Bright shiny reflective sheet steel or the like is not suitable for laser use as the reflective surface could direct the beam back at the operator.
- Do not change the laser light assembly with a different type. Repairs must only be carried out by the laser manufacturer or an authorized agent.

TOOL PARTS OVERVIEW

- | | | | |
|----|---------------------------|-----|--------------------------------|
| 1. | Lock-on button | 10. | Cutting angle scale |
| 2. | Laser light on/off switch | 11. | Parallel guide |
| 3. | Laser aperture | 12. | Pendulum lever |
| 4. | Jigsaw on/off switch | 14. | Variable speed control |
| 5. | Soft grip handle | 15. | Tool-free blade change control |
| 6. | Shoe plate | 16. | Dust extraction adaptor |
| 7. | Shoe bracket | 17. | Parallel guide fixing screw |
| 8. | Blade guard | 18. | Locking lever |
| 9. | Blade guide | | |

OPERATION

SWITCHING ON - SWITCHING OFF

Brief activation

- Switching on: press and hold switch 4.
- Switching off: release switch 4.

Continuous use

- Switching on: press ON/OFF switch 4 and lock it by button 1.
- Switching off: press and release ON/OFF switch 4.

ADJUSTING THE CUTTING SPEED

The variable speed feature of this jigsaw enhances the cutting performance and saves the blade from undue wear.

- The variable speed control (14) is used to programme the speed of the blade. The speed should be adapted to the material being cut.
- To increase the speed turn the knob counterclockwise. To decrease the speed turn the knob clockwise..
- Determine the optimum speed by making a trial cut in a scrap piece of material.

Note: using the correct speed for the job increases the life of the blade.

CHANGING A BLADE

Warning: Always ensure that the saw is switched off and plug is removed from the power point before making any adjustments.

- Remove the blade guard (8) .
- Turn the quick-release chuck (15) and hold it in this position.
- Push the required saw blade into the quickrelease chuck (15) as far as the limit stop.
- Release the quick-release chuck so that it returns to its initial position. The saw blade is now locked.
- Replace the guard (8) back onto the appliance.

PENDULUM ADJUSTMENT

- The pendulum lever (12) has 4 positions.
- Position "0" selects normal cutting without pendulum action.
- The next three positions "1, 2 & 3" cause the blade to swing slightly backwards and forwards as it cuts. This pendulum actions increases the efficiency of cutting.
- Set the pendulum lever (12) to one of the three settings "1, 2 or 3" according to degree of pendulum action required. Experiment on a piece of scrap material to determine the optimum pendulum action setting for the material of the work piece.

LASER LINE SYSTEM

Warning: Do not stare directly at the laser beam.

Never aim the beam at any person or an object other than the work piece.

Do not deliberately aim the beam at personnel and ensure that it is not directed towards the eye of a person.

Always ensure the laser beam is aimed at a sturdy work piece without reflective surfaces i.e. wood or rough coated surfaces are acceptable.

Bright shiny reflective sheet steel or the like is not suitable for laser use as the reflective surface could direct the beam back at the operator. Only turn laser beam on when tool is on workpiece.

- Mark the line of the cut on the work piece.
- Adjust the bevel angle of cut as required.
- Plug in the machine and start the motor.
- When the blade is at its maximum speed (approximately 2 seconds), place the saw on the work piece.
- Switch on the laser beam using the switch (2)
- Align the beam with the mark on the work piece and slowly push the saw forward using both hands, keeping the red light beam on the mark.
- Switch off the laser beam on completion of the cut.

ADJUSTING THE SHOE FOR ANGULAR CUTTING

Warning: Always ensure the tool is switched off and the plug is removed before making any adjustments or maintenance procedures.

- To adjust the angle of cutting, first turn the jigsaw upside down. Loosen the hex screw securing the blade guide assembly using the hex key provided.
- Next, loosen the hex screw securing the shoe plate (6) using the same hex key.
- Move the shoe plate slightly forward. It can now be tilted to set the required angle between 0° and 45° using the scale marked on the shoe bracket (10).
- Next slide the shoe plate (6) until the blade guide (9) rests against the back edge of the blade.
- Finally, retighten the hex screw. For accurate work it is necessary to make a trial cut, measure the work and reset the angle until the correct setting is achieve.

FITTING THE PARALLEL GUIDE

The parallel guide (11) fits into the shoe plate (6) and is locked in place with the locking knob. It is used to guide the jigsaw along a straight line which can be an edge of the work piece or a piece of straight timber clamped to the work piece. By changing the position of the guide and using the same straight edge as a guide, it is possible to quickly and easily make parallel cuts in the work piece.

- Push the parallel guide (11) into the slot in the shoeplate (6).
- Adjust the guide to the required position and lock it inplace with the locking knob at location (17).

DUST EXTRACTION ADAPTOR

The dust extraction adaptor (16) allows a dust extraction system or a household vacuum cleaner to be connected to the tool in order to remove dust whilst the tool is in use.

Warning: Do not use a dust extraction system or a vacuum cleaner when cutting metal. Sparks may ignite residual wood dust.

MAKING A CUT

- Switch on the jigsaw and allow the blade to reach maximum speed.
- Slowly guide the jigsaw forward using both hands, keeping the shoe plate flat against the work piece.
- Do not force the jigsaw.

Note: Use only enough pressure to keep the blade cutting. Do not force the cutting, allow the blade and the sawto do the work.

POCKET & ROUND CUTTING

- When starting a cut from the centre of a work piece, drill a 12 mm diameter hole to ensure that there is clearance for the blade.
- When cutting tight curves, reduce the speed of the saw.

Warning: Do not move the saw forward along its cut until the blade has completely entered the material and the shoe comes to rest on its surface.

CUTTING METAL

- When cutting metals, a suitable cooling/cutting oil must be used.
- Squirt the lubricant onto the blade or work piece at regular intervals during cutting in order to reduce wear of the blade.

MAINTENANCE

GENERAL INSPECTION

Regularly inspect all fasteners and ensure they are properly tightened. Should any of the screws be loose, retighten it immediately to avoid hazards.
If the replacement of the supply cord is necessary, this has to be done by the manufacturer or his agent in order to avoid a safety hazard.

CLEANING

For safe operation always keep the machine and its ventilation slots clean. Regularly check to see if any dust or foreign matter has entered the ventilation slots and the grills around the switches. Use a soft brush and/or air jet to remove any accumulated dust. Wear safety glasses to protect your eyes whilst cleaning.
Exterior plastic parts may be cleaned with a damp cloth and mild detergent if necessary.

WARNING!

Never use alcohol, petrol or other cleaning agent. Never use caustic agents to clean plastic parts. Water must never come into contact with the tool.

REPLACEMENT PARTS

To assure product safety and reliability, repairs, maintenance and adjustment (including brush inspection and replacement) should be performed by authorised service centres always using genuine replacement parts.

TECHNICAL SPECIFICATIONS

Model	JS750M
Voltage	220-240 V~ 50 Hz
Input power	750 W
No load speed	0-3000/min.
Max. cutting capacity	
- wood	120 mm
- steel/aluminum	8/12 mm
Stroke length	26 mm
Blade type	T
Weight	2,9 kg
A-weighted sound pressure level L_{pA}	85 dB(A), uncertainty 5 dB(A)
A-weighted sound power level L_{wA}	96 dB(A), uncertainty 5 dB(A)
Vibration emission value a_{hb}/a_{hm}	9.48/10.75 m/s ² , uncertainty 1,5 m/s ²
Protection class	II

Includes:

Parallel guide, saw blade, foot cover, 2xbatteries, dust adapter, anti-burr plate.

The manufacturer reserves the right to make changes and improvements to the products and to alter specifications without prior notice.

CE DECLARATION OF CONFORMITY

We STATUS ITALIA S.R.L. as the responsible manufacturer declare that the following STATUS machine(s): Circular Saw Model No./ Type: JS750M. are of series production and conforms to the following European Directives: **2006/42/EC, 2014/30/EU.**

And are manufactured in accordance with the following standards or standardised documents: **EN62841-1:2015+AC:15, EN62841-2-11:2016, AfPS GS 2019:01 PAK, EK9-BE-88(V2):2020, EN55014-1:2017, EN55014-5:2015, EN61000-3-2:2014, EN61000-3-3:2013.** The technical documentation kept by the manufacturer: STATUS ITALIA S.R.L., via Aldo Moro, 14/A, 36060 - Pianezze (VI), ITALY



Caron Giacinto
Director
STATUS Italia S.r.l.

DESTINAZIONE D'USO

Quest' utensile è idoneo per l'esecuzione di tagli di troncatrice nel legno, in materie plastiche, nel metallo, nella ceramica e nella gomma; di tagli diritti e di tagli con angolazioni fino a 45°.

AVVERTENZE GENERALI DI PERICOLO PER ELETTROUTENSILI

AVVERTENZA! Leggere tutte le indicazioni relative alla sicurezza e le istruzioni. L'errata applicazione delle indicazioni relative alla sicurezza e delle istruzioni può causare scosse elettriche, incendi e / o gravi lesioni.

Conservare le indicazioni relative alla sicurezza e le istruzioni per il futuro.

Il termine "elettro utensile" utilizzato nelle indicazioni relative alla sicurezza si riferisce a elettro utensili collegabili alla rete elettrica (con cavo di rete) e a elettro utensili a batteria (senza cavo di rete).

AREA DI LAVORO

- **Mantenere l'area di lavoro pulita e ben illuminata.** *Le zone buie ed ingombre di oggetti favoriscono incidenti.*
- **Non utilizzare l'utensile in presenza di liquidi infiammabili, gas o polvere.** *Le scintille generate potrebbero infiammare polvere e/o vapore.*
- **Tenere a distanza bambini e terzi durante il funzionamento.** *Per una distrazione potreste perdere il controllo dell'utensile.*

SICUREZZA ELETTRICA

- **La spina dell'utensile deve essere adatta alla presa utilizzata. Non modificare la spina in alcun modo. Non utilizzare adattatori con gli utensili collegati a terra.** *L'impiego di una spina integra ed una presa adatta riduce i rischi di folgorazione.*
- **Evitare di toccare con il corpo le superfici collegate a terra quali tubi, radiatori, forni e frigoriferi.** *Il rischio di folgorazione aumenta se il corpo è collegato a terra.*
- **Non esporre l'utensile alla pioggia e all'umidità.** *La penetrazione d'acqua nell'utensile aumenta il rischio di folgorazione.*
- **Non utilizzare il cavo per scopi diversi da quello previsto. Non utilizzare il cavo per trasportare o tirare l'utensile, oppure per staccare la spina dalla presa. Tenere il cavo lontano da fonti di calore, olio, parti appuntite o in movimento.** *Cavi danneggiati o attorcigliati aumentano il rischio di folgorazione.*
- **Se l'utensile viene utilizzato all'aperto, usare una prolunga adatta all'uso esterno.** *L'impiego di una prolunga da esterno riduce il rischio di folgorazione.*
- **Se è inevitabile l'uso dell'elettro utensile in un ambiente umido, utilizzare un circuito di sicurezza per correnti di guasto.** *L'uso di un circuito di sicurezza per correnti di guasto evita il rischio di scosse elettriche.*

SICUREZZA PERSONALE

- L'uso di elettROUTENSILI richiede attenzione e buon senso. Non utilizzare gli utensili se si è stanchi o sotto l'effetto di droghe, alcol o medicinali. *Una breve disattenzione può provocare gravi danni alle persone.*
- Munirsi di indumenti e dispositivi di protezione. Indossare sempre occhiali da lavoro. *L'uso di dispositivi di protezione tra cui mascherina antipolvere, scarpe antiscivolo, casco e protezioni per l'udito riduce il rischio di danni a persone.*
- Evitare l'accensione accidentale. Accertarsi che l'interruttore sia in posizione "OFF" prima di inserire la spina. *Se si trasportano gli utensili con il dito sull'interruttore o si inserisce la spina nella presa con l'interruttore in posizione "ON" aumenta il rischio di incidenti.*
- Togliere tutte le chiavi di regolazione prima di accendere l'utensile. *Una chiave lasciata inserita in una parte rotante di un utensile può provocare danni a persone.*
- Non utilizzare l'utensile in condizioni estreme. Mantenere sempre l'equilibrio ed i piedi ben appoggiati a terra. *Questo consente un maggior controllo dell'utensile in caso di imprevisti.*
- Indossare un abbigliamento adeguato. Non indossare abiti svolazzanti o gioielli. Tenere capelli, vestiti, e guanti lontani dalle parti in movimento. *Abiti svolazzanti, gioielli o capelli potrebbero impigliarsi nelle parti in movimento.*
- In presenza di apparecchiature per il collegamento a dispositivi di aspirazione e raccolta delle polveri, accertarsi che essi siano collegati ed utilizzarli correttamente. *L'uso di queste apparecchiature può ridurre i rischi causati dalla polvere.*

USO E MANUTENZIONE DELL'UTENSILE

- Utilizzare l'utensile più adatto per il lavoro da svolgere. *L'impiego dell'utensile giusto migliora la qualità del lavoro e la sicurezza.*
- Non utilizzare l'utensile se non è possibile accenderlo e spegnerlo con l'apposito interruttore. *Gli utensili che non possono essere controllati con l'interruttore sono pericolosi e devono essere riparati.*
- Staccare la spina dall'alimentazione di corrente prima di eseguire regolazioni, cambiare accessori o riporre l'utensile. *Osservando queste precauzioni si riduce il rischio di accensione accidentale dell'utensile.*
- Riporre gli utensili non utilizzati fuori dalla portata dei bambini e non consentirne l'utilizzo a persone che non conoscono l'utensile o queste istruzioni. *Nelle mani di persone inesperte gli utensili possono diventare pericolosi.*
- Sottoporre l'utensile a manutenzione. Verificare il corretto allineamento di tutte le parti mobili, controllare che non siano grippate e che non vi siano rotture o altri guasti che potrebbero influire sul funzionamento dell'utensile. *Far riparare gli utensili danneggiati prima di riutilizzarli. Molti incidenti sono causati da utensili in pessime condizioni.*

- Tenere le punte e gli strumenti da taglio puliti ed affilati. *Se sottoposti ad una regolare manutenzione e pulizia consentono di lavorare in modo più preciso e sono maggiormente controllabili.*
- Utilizzare l'utensile, gli accessori, gli attrezzi etc. secondo quanto indicato in queste istruzioni nonché tenendo in considerazione le condizioni di lavoro e il lavoro da eseguire. *L'impiego di utensili per scopi diversi da quelli per cui sono stati progettati può dare origine a situazioni pericolose.*

MANUTENZIONE

- Far riparare l'utensile da personale qualificato che utilizzi solo parti di ricambio originali. *In caso contrario la sicurezza dell'utensile potrebbe risultare compromessa.*

ULTERIORI NORME DI SICUREZZA PER SEGHETTI ALTERNATIVI

- Questo elettROUTENSILE dispone di un doppio isolamento che garantisce maggiore protezione in caso mancato isolamento elettrico all'interno della macchina stessa.
- Prima di sostituire qualsiasi accessorio o eseguire operazioni di manutenzione accertarsi sempre che l'utensile sia spento e la spina staccata dalla presa di corrente.
- Assicurarci che l'area di lavoro sia ben illuminata.
- Non utilizzare il seghetto se il paratrucioli non è fissato correttamente.
- Assicurarci che la base aderisca perfettamente al pezzo durante il lavoro di taglio.
- Non sovraccaricare la macchina, operare una pressione moderata. Una pressione eccessiva genera un sovraccarico e quindi una riduzione della velocità, causando possibili danni al motore.
- Tenere sempre l'area di lavoro libera da intoppi.
- Non permettere l'uso della macchina a minori di 18 anni.
- Utilizzare solo lame affilate ed in buone condizioni.
- Prima di procedere con il lavoro, assicurarsi che vi sia sufficiente spazio vuoto sotto il pezzo così da permettere alla lama di correre senza intoppi.
- Non toccare la lama durante o dopo l'uso, essendo questa surriscaldata.
- Tenere le mani ed altre parti del corpo lontane dall'area di taglio. Il contatto con la lama potrebbe causare danni all'utente.
- Non rimuovere polvere, trucioli o altro nelle vicinanze della lama con le mani.
- Non lasciare stracci, panni, corde, spaghi e simili nell'area di lavoro.
- Rimuovere eventuali viti o chiodi prima di tagliare nel legno.
- Se possibile fissare sempre il pezzo da forare con morsetti o con una morsa a vite.
- In caso una lama rimanga incastrata, tentare di rimuoverla solo a motore spento.
- In caso di qualsiasi interruzione spegnere sempre la macchina prima di volgere lo sguardo lontano dall'area di lavoro.
- Controllare periodicamente che tutte le viti e i dadi siano fissati correttamente.

AVVERTENZE DI SICUREZZA PER INDICATORI LASER

DESCRIZIONE DEL FUNZIONAMENTO

- Non porre materiali o altri utensili sulla macchina in posizione tale da farli cadere all'interno.
- Si consiglia di afferrare l'utensile con entrambe le mani e di assumere una stabile posizione operativa, ciò consente di guidare l'utensile con maggiore sicurezza.
- Non fissare il seghetto a testa in giù in una morsa o su una panca da lavoro. Potrebbe causare gravi danni all'utente.
- Utilizzare sempre dispositivi di protezione, quali occhiali da lavoro, cuffie antirumore, mascherina antipolvere e guanti da lavoro.
- Spegnerne sempre il seghetto prima di appoggiarlo.

AVVERTENZE DI SICUREZZA PER INDICATORI LASER



Tali laser di solito non rappresentano un pericolo per gli occhi, ma ciò nonostante se si guarda direttamente al laser può accecare.

ATTENZIONE: Non guardare direttamente il raggio laser. Se si fissa lo sguardo apposta al raggio laser, esiste un pericolo per la vostra salute.

- Il laser va usato e mantenuto in conformità alle istruzioni del fabbricante.
- Mai puntare il raggio laser verso persona od oggetto che non sia il materiale lavorato.
- Il raggio laser non deve essere puntato contro una persona e bisogna stare particolarmente attenti di non puntarlo negli occhi di persone.
- Accertarsi sempre che il raggio laser sia puntato contro un materiale duro, la cui superficie non riflette, p.es. legno o superfici di rivestimento ruvido. La lucente lamiera di acciaio non è adatta al trattamento con laser, a causa della sua superficie riflettente, la quale può dirigere il flusso di raggi laser indietro all'operatore.
- Non sostituire il laser incorporato con un altro che non è dello stesso tipo. Riparazioni vanno effettuate soltanto dal fabbricante o dai centri assistenza autorizzati.

DESCRIZIONE DEL FUNZIONAMENTO

- | | |
|---|--|
| 1. Pulsante di blocco dell'interruttore | 10. Scala angolo obliquo |
| 2. Interruttore ON/OFF laser | 11. Guida parallela |
| 3. Fonte di luce | 12. Interruttore per azione oscillante |
| 4. Interruttore ON/OFF | 14. Rondella di regolazione della velocità |
| 5. Impugnatura antiscivolo | 15. Dispositivo di cambio rapido della lama |
| 6. Base | 16. Raccordo per aspirapolvere |
| 7. Ganascia base | 17. Pomello di fissaggio della guida parallela |
| 8. Paratrucoli per aspirazione | 18. Leva di bloccaggio |
| 9. Guida lama | |

ISTRUZIONI PER L'USO

ISTRUZIONI PER L'USO

AVVIAMENTO - ARRESTO

Messa in moto per breve tempo

- Avviamento: premere l'interruttore 4 e trattenerlo.
- Arresto: rilasciare l'interruttore 4.

Lavoro continuativo

- Avviamento: premere l'interruttore 4 e bloccarlo con il pulsante 1.
- Arresto: premere l'interruttore 4 una sola volta e rilasciarlo.

REGOLAZIONE DEL NUMERO DI CORSE

Questa funzione garantisce un taglio preciso ed evita che la superficie del materiale da lavorare venga danneggiata.

- Il numero delle corse può essere regolato facendo scorrere l'apposita rondella (14). Il numero delle corse deve essere impostato a seconda del materiale da lavorare.
- Per aumentare la velocità, ruotare la manopola in senso antiorario. Per ridurre la velocità di rotazione la manopola in senso orario.
- Controllare che la velocità sia adatta facendo una prova su uno scarto di materiale.

Importante! Utilizzare il numero di corse adatto per ciascun tipo di materiale e/o di lavoro preserva la lama dall'usura.

CAMBIO DELLA LAMA

Attenzione: Prima di sostituire qualsiasi accessorio o eseguire operazioni di manutenzione accertarsi sempre che l'utensile sia spento e la spina staccata dalla presa di corrente.

- Rimuovere la cappa di protezione (8) .
- Ruotare il mandrino ad attacco rapido (15) e mantenerlo ruotato.
- Premere la lama nel mandrino ad attacco rapido (15) fino alla battuta.
- Rilasciare il mandrino ad attacco rapido , che deve ritornare nella posizione di partenza. La lama è ora bloccata.
- Rimettere la cappa di protezione (8) sull'apparecchio.

REGOLAZIONE DELL'AZIONE OSCILLANTE

- L'interruttore per l'azione oscillante (12) può essere impostato su 4 funzioni.
- La funzione "0" è indicata per il semplice taglio diritto.
- Le posizioni da "1" a "3" permettono di impostare la frequenza delle oscillazioni.
- Ruotare l'interruttore (12) in una tra le posizioni da "1" a "3". Si consiglia di controllare che l'azione oscillante sia adatta facendo una prova su uno scarto di materiale.

SISTEMA LASER

Attenzione: Non fissare la fonte di luce.

Non puntare mai il raggio luminoso contro un oggetto diverso dal pezzo da lavorare. Non puntare deliberatamente il raggio laser agli occhi di persone.

ISTRUZIONI PER L'USO

Assicurarsi che il pezzo da lavorare sia puntato su un pezzo solido, dalla superficie non riflettente, come ad esempio legno e superfici ruvide.

Lamiere di acciaio non sono indicate per l'uso del laser in quanto la superficie riflettente potrebbe rimandare il raggio luminoso all'utente. Accendere il lasere solo quando la macchina è posizionata sul pezzo da lavorare.

- Disegnare la linea di taglio sul pezzo da lavorare.
- Regolare l'angolo di taglio.
- Inserire la spina nella presa di corrente.
- Attendere che la lama abbia raggiunto la velocità impostata (circa 2 secondi) e porre il seghetto sul pezzo da lavorare.
- Accendere il laser premendo l'apposito interruttore (2).
- Far combaciare il raggio laser con la linea di taglio disegnata e spingere la macchina nel materiale, cercando di mantenere il raggio sulla linea.
- Spegner il laser una volta terminato il taglio.

REGOLAZIONE DELLA BASE PER TAGLI OBLIQUI (Fig. C)

Attenzione: Prima di sostituire qualsiasi accessorio o eseguire operazioni di manutenzione accertarsi sempre che l'utensile sia spento e la spina staccata dalla presa di corrente.

- Allentare la leva di bloccaggio (18).
- Far scorrere la base leggermente in avanti così da staccarla dalle ganasce della cassa ingranaggi. La base può dunque essere inclinata per raggiungere l'angolo desiderato tra 0° e 45° come indicato sull'apposita scala (10).
- Spingere la base (6) all'indietro fino a quando la guida della lama (9) non raggiunga la parte posteriore della lama.
- Bloccare la leva (18).

MONTAGGIO DELLA GUIDA PARALLELA

La guida parallela (11) è inserita nella base (6) e viene bloccata con un apposito pomello (17). Permette di guidare il seghetto lungo una linea dritta, come ad esempio il bordo del pezzo da lavorare o di un pezzo di legno fissato al pezzo da lavorare con una morsa.

Cambiando la posizione della guida (11) ma mantenendola lungo lo stesso bordo è possibile effettuare dei tagli paralleli con estrema facilità e rapidità.

- Inserire la guida parallela (11) negli appositi passanti sulla base (6).
- Regolare la guida alla distanza desiderata dal bordo del materiale e fissarla mediante il pomello di fissaggio (17).

ISTRUZIONI PER L'USO MANUTENZIONE

RACCORDO PER ASPIRAPOLVERE

Il raccordo per l'aspirapolvere (16) permette di collegare un aspirapolvere o qualsiasi altro dispositivo di aspirazione alla macchina e di aspirare la polvere e/o i trucioli durante il lavoro con la macchina.

Attenzione: Non collegare la macchina ad un aspirapolvere quando si lavora il metallo. Le scintille potrebbero infiammare i trucioli.

OPERAZIONI DI TAGLIO

- Accendere il seghetto e lasciare che la lama abbia raggiunto la massima velocità.
- Poggiare la parte anteriore della base sul pezzo da lavorare e condurre la lama lungo la linea di taglio desiderata, prestando particolare attenzione che la base aderisca alla superficie del pezzo da lavorare.
- Non forzare troppo la lama onde evitare che il motore si surriscaldi o che la lama si rompa.

Importante: Esercitare una pressione sufficiente per permettere alla lama di tagliare gradatamente.

TAGLI ROTONDI E AD "U"

- Prima di iniziare il taglio nel centro di una superficie, effettuare un foro di diametro 12 mm per assicurare margine d'azione alla lama.
- Per tagli curvilinei stretti si consiglia di ridurre il numero di corse.

Attenzione: Non muovere la lama lungo la linea di taglio prima che questa non sia completamente entrata nel materiale e che la base non sia completamente poggiata sulla superficie.

TAGLIO IN LAMIERE DI METALLO

- Si consiglia l'uso di un olio refrigerante o lubrificante adatto per questo tipo di lavoro.
- Spargere il lubrificante sulla lama o sul pezzo da lavorare ad intervalli regolari così da preservare la qualità della lama.

MANUTENZIONE

CONTROLLI GENERICI

Controllare regolarmente tutti gli elementi di fissaggio ed accertarsi che siano saldamente assicurati. Nel caso in cui qualche vite si è allentata, stringerla subito, per evitare situazioni di rischio.

Lubrificare regolarmente tutte le parti in movimento. Se il cavo di alimentazione è guasto, la sostituzione deve essere fatta dal costruttore o da un suo specialista di centro assistenza, per ovviare ai pericoli relativi alla sostituzione.

PULIZIA

Per un lavoro sicuro mantenere sempre puliti la macchina e i fori di ventilazione. Verificare regolarmente che non siano penetrati polvere o corpi estranei nella griglia di ventilazione vicino al motore elettrico o intorno ai commutatori. Usare una spazzola soffice per rimuovere la polvere ammassata. Per proteggere gli occhi durante la pulitura, portare occhiali di protezione.

Se la carcassa della macchina necessita la pulitura, spolverarla con un canovaccio morbido e umido. Si può usare un debole detergente.

ATTENZIONE: Non è ammesso l'uso di alcool, benzina o altri solventi. Non adoperare mai preparati attaccanti per la pulitura delle parti plastiche. Non è ammessa l'entrata di acqua in contatto con la macchina.

PARTI DI RICAMBIO

Per provvedere a un lavoro sicuro con l'elettrotensile, e alla sua affidabilità, tutte le attività relative alla riparazione, la manutenzione e la regolazione (ivi incluse la verifica e la sostituzione delle spazzole) vanno effettuare nei centri assistenza autorizzati, usando soltanto pezzi di ricambio originali.

DATI TECNICI

Modello	JS750M
Tensione	220-240 V~ 50 Hz
Potenza assorbita	750 W
Numero di giri a vuoto	0-3000/min.
Profondità massima di taglio	
- legno	120 mm
- acciaio / alluminio	8/12 mm
Altezza della corsa	26 mm
Tipo di lama	T
Peso	2,9 kg
A-livello di pressione sonora ponderata L_{pA}	85 dB(A), uncertainty 5 dB(A)
A-livello di potenza sonora ponderata L_{wA}	96 dB(A), uncertainty 5 dB(A)
Valore delle vibrazioni emesse a_{hb} , a_{hm}	9.48/10.75 m/s^2 , uncertainty 1,5 m/s^2
Classe di protezione	II

ACCESSORI:

Guida parallela, lama per sega, coprigambe, 2x batterie, adattatore polvere, piastra anti-sbavatura..

L'azienda produttrice si riserva il diritto di apportare modifiche tecniche senza preavviso.

DICHIARAZIONE DI CONFORMITÀ

Noi dichiariamo sotto la nostra personale responsabilità, che questo prodotto è in conformità a tutte le disposizioni pertinenti della presente direttive e norme armonizzate: **EN62841-1:2015+AC:15, EN62841-2-11:2016, AfPS GS 2019:01 PAK, EK9-BE-88(V2):2020, EN55014-1:2017, EN55014-5:2015, EN61000-3-2:2014, EN61000-3-3:2013.**

Il fascicolo tecnico viene custodito presso la: STATUS ITALIA S.R.L., via Aldo Moro, 14/A, 36060 - Pianezze (VI), ITALY



Caron Giacinto
Director
STATUS Italia S.r.l.

VERWENDUNGSZWECK

Dieses Elektrowerkzeug ist für Schneiden von Platten und Profilen aus Holz, Kunststoff und Metall vorgesehen.

Allgemeine Sicherheitshinweise für Elektrowerkzeuge

WARNUNG! Lesen Sie alle Sicherheitshinweise und Anweisungen. Versäumnisse bei der Einhaltung der Sicherheitshinweise und Anweisungen können elektrischen Schlag, Brand und/oder schwere Verletzungen verursachen.

Bewahren Sie alle Sicherheitshinweise und Anweisungen für die Zukunft auf.

Der in den Sicherheitshinweisen verwendete Begriff „Elektrowerkzeug“ bezieht sich auf netzbetriebene Elektrowerkzeuge (mit Netzkabel) und auf akkubetriebene Elektrowerkzeuge (ohne Netzkabel).

ARBEITSPLATZSICHERHEIT

- Halten Sie Ihren Arbeitsbereich sauber und gut beleuchtet. *Unordnung oder unbeleuchtete Arbeitsbereiche können zu Unfällen führen.*
- Arbeiten Sie mit dem Elektrowerkzeug nicht in explosionsgefährdeter Umgebung, in der sich brennbare Flüssigkeiten, Gase oder Stäube befinden. *Elektrowerkzeuge erzeugen Funken, die den Staub oder die Dämpfe entzünden können.*
- Halten Sie Kinder und andere Personen während der Benutzung des Elektrowerkzeugs fern. *Bei Ablenkung können Sie die Kontrolle über das Gerät verlieren.*

ELEKTRISCHE SICHERHEIT

- Der Anschlussstecker des Elektrowerkzeuges muss in die Steckdose passen. Der Stecker darf in keiner Weise verändert werden. Verwenden Sie keine Adapterstecker gemeinsam mit schutzgeerdeten Elektrowerkzeugen. *Unveränderte Stecker und passende Steckdosen verringern das Risiko eines elektrischen Schlages.*
- Vermeiden Sie Körperkontakt mit geerdeten Oberflächen wie von Rohren, Heizungen, Herden und Kühlschränken. *Es besteht ein erhöhtes Risiko durch elektrischen Schlag, wenn Ihr Körper geerdet ist.*
- Halten Sie Elektrowerkzeuge von Regen oder Nässe fern. *Das Eindringen von Wasser in ein Elektrowerkzeug erhöht das Risiko eines elektrischen Schlages.*
- Zweckentfremden Sie das Kabel nicht, um das Elektrowerkzeug zu tragen, aufzuhängen oder um den Stecker aus der Steckdose zu ziehen. Halten Sie das Kabel fern von Hitze, Öl, scharfen Kanten oder sich bewegenden Geräteteilen. *Beschädigte oder verwickelte Kabel erhöhen das Risiko eines elektrischen Schlages.*
- Wenn Sie mit einem Elektrowerkzeug im Freien arbeiten, verwenden Sie nur Verlängerungskabel, die auch für den Außenbereich geeignet sind. *Die Anwendung eines für den Außenbereich geeigneten Verlängerungskabels verringert das Risiko eines elektrischen Schlages.*

- Wenn der Betrieb des Elektrowerkzeuges in feuchter Umgebung nicht vermeidbar ist, verwenden Sie einen Fehlerstromschutzschalter. *Der Einsatz eines Fehlerstromschutzschalters vermindert das Risiko eines elektrischen Schlages.*

SICHERHEIT VON PERSONEN

- Seien Sie aufmerksam, achten Sie darauf, was Sie tun, und gehen Sie mit Vernunft an die Arbeit mit einem Elektrowerkzeug. Benutzen Sie kein Elektrowerkzeug, wenn Sie müde sind oder unter dem Einfluss von Drogen, Alkohol oder Medikamenten stehen. *Ein Moment der Unachtsamkeit beim Gebrauch des Elektrowerkzeuges kann zu ernsthaften Verletzungen führen.*
- Tragen Sie persönliche Schutzausrüstung und immer eine Schutzbrille. *Das Tragen persönlicher Schutzausrüstung, wie Staubmaske, rutschfeste Sicherheitsschuhe, Schutzhelm oder Gehörschutz, je nach Art und Einsatz des Elektrowerkzeuges, verringert das Risiko von Verletzungen.*
- Vermeiden Sie eine unbeabsichtigte Inbetriebnahme. Vergewissern Sie sich, dass das Elektrowerkzeug ausgeschaltet ist, bevor Sie es an die Stromversorgung und/oder den Akku anschließen, es aufnehmen oder tragen. *Wenn Sie beim Tragen des Elektrowerkzeuges den Finger am Schalter haben oder das Gerät eingeschaltet an die Stromversorgung anschließen, kann dies zu Unfällen führen.*
- Entfernen Sie Einstellwerkzeuge oder Schraubenschlüssel, bevor Sie das Elektrowerkzeug einschalten. *Ein Werkzeug oder Schlüssel, der sich in einem drehenden Geräteteil befindet, kann zu Verletzungen führen.*
- Vermeiden Sie eine abnormale Körperhaltung. Sorgen Sie für einen sicheren Stand und halten Sie jederzeit das Gleichgewicht. *Dadurch können Sie das Elektrowerkzeug in unerwarteten Situationen besser kontrollieren.*
- Tragen Sie geeignete Kleidung. Tragen Sie keine weite Kleidung oder Schmuck. Halten Sie Haare, Kleidung und Handschuhe fern von sich bewegenden Teilen. *Lockere Kleidung, Schmuck oder lange Haare können von sich bewegenden Teilen erfasst werden.*
- Wenn Staubabsaug- und -auffangeinrichtungen montiert werden können, vergewissern Sie sich, dass diese angeschlossen sind und richtig verwendet werden. *Verwendung einer Staubabsaugung kann Gefährdungen durch Staub verringern.*

VERWENDUNG UND BEHANDLUNG DES ELEKTROWERKZEUGES

- Überlasten Sie das Gerät nicht. Verwenden Sie für Ihre Arbeit das dafür bestimmte Elektrowerkzeug. *Mit dem passenden Elektrowerkzeug arbeiten Sie besser und sicherer im angegebenen Leistungsbereich.*
- Benutzen Sie kein Elektrowerkzeug, dessen Schalter defekt ist. *Ein Elektrowerkzeug, das sich nicht mehr ein- oder ausschalten lässt, ist gefährlich und muss repariert werden.*

Allgemeine Sicherheitshinweise für Elektrowerkzeuge

Zusätzliche Sicherheitshinweise bei der Arbeit mit Stichsägens

- Ziehen Sie den Stecker aus der Steckdose und/oder entfernen Sie den Akku, bevor Sie Geräteeinstellungen vornehmen, Zubehörteile wechseln oder das Gerät weglegen. *Diese Vorsichtsmaßnahme verhindert den unbeabsichtigten Start des Elektrowerkzeuges.*
- Bewahren Sie unbenutzte Elektrowerkzeuge außerhalb der Reichweite von Kindern auf. Lassen Sie Personen das Gerät nicht benutzen, die mit diesem nicht vertraut sind oder diese Anweisungen nicht gelesen haben. *Elektrowerkzeuge sind gefährlich, wenn Sie von unerfahrenen Personen benutzt werden.*
- Pflegen Sie Elektrowerkzeuge mit Sorgfalt. Kontrollieren Sie, ob bewegliche Teile einwandfrei funktionieren und nicht klemmen, ob Teile gebrochen oder so beschädigt sind, dass die Funktion des Elektrowerkzeuges beeinträchtigt ist. Lassen Sie beschädigte Teile vor dem Einsatz des Gerätes reparieren. *Viele Unfälle haben ihre Ursache in schlecht gewarteten Elektrowerkzeugen.*
- Halten Sie Schneidwerkzeuge scharf und sauber. *Sorgfältig gepflegte Schneidwerkzeuge mit scharfen Schneidkanten verklemmen sich weniger und sind leichter zu führen.*
- Verwenden Sie Elektrowerkzeug, Zubehör, Einsatzwerkzeuge usw. entsprechend diesen Anweisungen. Berücksichtigen Sie dabei die Arbeitsbedingungen und die auszuführende Tätigkeit. *Der Gebrauch von Elektrowerkzeugen für andere als die vorgesehenen Anwendungen kann zu gefährlichen Situationen führen.*

SERVICE

- Lassen Sie Ihr Elektrowerkzeug nur von qualifiziertem Fachpersonal und nur mit Original-Ersatzteilen reparieren. *Damit wird sichergestellt, dass die Sicherheit des Elektrowerkzeuges erhalten bleibt.*

Zusätzliche Sicherheitshinweise bei der Arbeit mit Stichsägens

- Während der Arbeit Schutzmittel für die Augen verwenden, um sich von fliegenden Teilchen zu schützen. Schutzbrille tragen.
- Verwenden Sie Gehörschutzmittel, wenn Sie lange arbeiten. Der intensive Lärm während der Arbeit kann Gehörbeschädigungen verursachen.
- Schutzmaßnahmen gegen das Einatmen von Staub treffen. Einige Materialien können Giftstoffe enthalten. Tragen Sie eine Staubschutzmaske.
- Halten Sie das Gerät nur an den isolierten Griffflächen, wenn Sie Arbeiten ausführen, bei denen das Einsatzwerkzeug verborgene Stromleitungen oder das eigene Netzkabel treffen kann. Der Kontakt mit einer spannungsführenden Leitung kann auch metallene Geräteteile unter Spannung setzen und zu einem elektrischen Schlag führen.
- Verwenden Sie eine Staubabscheidungs Einrichtung bzw. schließen Sie das Gerät an einen Staubsauger an wenn eine solche Vorrichtung vorhanden ist.
- Bearbeiten Sie keine asbesthaltigen Materialien. Asbest gilt als krebserregend.

Zusätzliche Sicherheitshinweise bei der Arbeit mit Stichsägens

- Es wird empfohlen, während der Arbeit mit der Stichsäge Schutzhandschuhe tragen.
- **WARNUNG:** Bevor Sie das Elektrowerkzeug ans Stromnetz anschließen, stellen Sie sicher, dass die Spannung der Spannung, angegeben auf dem Geräteschild, entspricht. Eine Spannung, die höher als die Nennspannung ist, kann zu ernststen Verletzungen führen, sowie auch Schäden am Elektrowerkzeug verursachen.
- Falls Sie nicht sicher sind, wie hoch die Netzspannung ist, schalten Sie das Elektrowerkzeug nicht ein.
- Falls die Spannung niedriger als die Nennspannung ist, wird der Motor beschädigt.
- Um eine eventuelle Überhitzung zu verhindern, rollen Sie das Kabel von einer Kabeltrommel immer bis zum Ende ab.
- Wenn Sie ein Verlängerungskabel benutzen müssen, versichern Sie sich zuerst, dass sein Querschnitt dem Nennstrom des benutzen Elektrowerkzeuges entspricht, so wie auch, dass es unbeschädigt ist.
- **WARNUNG:** Schalten Sie vor jeder Einstellung, Bedienung oder Wartung, so wie auch bei einem Stromausfall immer das Elektrowerkzeug aus und ziehen Sie den Stecker aus der Steckdose.
- Verwenden Sie immer eine Klemme oder einen Schraubstock, um das zu bearbeitende Werkstück zu fixieren.
- Die Maschine während der Arbeit immer mit den beiden Händen festhalten und eine stabile Körperstellung einnehmen. Das Elektrowerkzeug wird sicherer geführt, wenn Sie es mit beiden Händen halten.
- Sie dürfen die Säge ohne die Schutzvorrichtung nicht verwenden.
- Halten Sie Ihre Hände außerhalb des Schneidbereiches und halten Sie ihre Hand nicht unter das zu Bearbeitende Werkstück, solange das Sägeblatt schneidet. Die Berührung des laufenden Sägeblattes wird einen Arbeitsunfall verursachen.
- Eine Einführung des Sägeblattes in das zu bearbeitende Werkstück ist nur dann zulässig, wenn die Pendelhubstichsäge eingeschaltet ist.
- Wenn Sie mit dem Schneiden fertig sind schalten Sie die Pendelhubstichsäge zuerst aus und ziehen das Sägeblatt erst dann heraus, wenn es nicht mehr in Bewegung ist.
- Halten Sie die Basisplatte dicht an der zu bearbeitenpages den Oberfläche.
- Sie dürfen die Maschine nicht überlasten: arbeiten Sie mit einem mäßigen Druck. Die Maschine wird überlastet, wenn Sie mit einem zu hohen Druck arbeiten, wobei der Motor sich langsamer zu drehen beginnt, das ist eine Voraussetzung für eine uneffektive Arbeit und einen eventuellen Motorschaden.
- Wenn Sie Holz schneiden, müssen Sie zuerst überprüfen, ob es Schrauben oder Nagel im Material gibt und sie eventuell entfernen.
- Halten Sie das Netzkabel außerhalb des Arbeitsbereichs der Maschine.
- Sie dürfen mit dem Elektrowerkzeug nicht arbeiten, wenn das Netzkabel beschädigt ist. Berühren Sie das beschädigte Netzkabel nicht und ziehen Sie den Stecker aus der Steckdose heraus, wenn das Netzkabel während der Arbeit beschädigt wird. Ein beschädigtes Netzkabel erhöht das Risiko für einen Stromschlag.

Zusätzliche Sicherheitshinweise bei der Arbeit mit Stichsägens Sicherheitsregeln bei der Arbeit mit einem Laser

- Sie müssen den Arbeitsplatz sauber halten. Die Mischung vom Staub aus verschiedenen Materialien ist besonders gefährlich. Der Staub von Leichtmetallen kann brennen oder explodieren.
- Schalten Sie die Maschine immer aus bevor Sie sie ablegen.
- Das Elektrowerkzeug soll nur bestimmungsgemäß verwendet werden. Jeder anderer Gebrauch, anders als der Gebrauch, beschrieben in dieser Instruktion, gilt als nicht bestimmungsgemäß. Die Verantwortung für jede Schädigung oder Verletzung, verursacht durch falschen Gebrauch, trägt der Betreiber und nicht der Hersteller.
- Um dieses Elektrowerkzeug richtig zu betreiben, sollten Sie die Sicherheitsregeln, die allgemeinen Instruktionen und die Betriebsanweisungen, die hier angegeben sind, beachten. Alle Betreiber sollten sich mit dieser Betriebsanweisung bekanntmachen und über die potenziellen Risiken bei der Arbeit mit dem Elektrowerkzeug informiert sein. Kinder und körperlich schwache Personen dürfen das Elektrowerkzeug nicht benutzen. Kinder sollten ständig kontrolliert werden, falls sie sich in der Nähe des Ortes, wo mit dem Elektrowerkzeug gearbeitet wird, befinden. Unbedingt sollten auch präventive Sicherheitsmassnahmen getroffen werden. Das gleiche gilt auch für die Einhaltung der Grundregeln für Berufsgesundheit und Sicherheit. Der Hersteller übernimmt keine Verantwortung für von dem Betreiber vorgenommenen Änderungen des Elektrowerkzeuges oder für Schaden, verursacht durch solche Änderungen.
- Der Hersteller trägt keine Verantwortung für die vom Verbraucher am Elektrowerkzeug vorgenommenen Änderungen oder für Schäden, die von solchen Änderungen verursacht worden sind.
- Das Elektrowerkzeug darf nicht im Freien verwendet werden wenn es regnet. Das Elektrowerkzeug darf nicht verwendet werden auch in feuchter Umgebung (wenn es geregnet hat) oder in der Nähe von leicht entzündbaren Flüssigkeiten oder Gasen. Der Arbeitsplatz muß gut beleuchtet sein.

Sicherheitsregeln bei der Arbeit mit einem Laser



Diese Laseranlagen sind normalerweise nicht gefährlich für die Augen, jedoch wenn sie direkt im Laser blicken, können Sie verblendet werden.

WARNUNG: Blicken Sie nicht direkt zum Laserstrahl. Wenn Sie absichtlich den Laserstrahl anstarren, besteht eine Gefahr für Ihr Augenlicht.

- Der Laser muß entsprechend den Hinweisen des Herstellers benutzt und gewartet werden.
- Richten Sie niemals den Laserstrahl zu einem Menschen oder einem Gegenstand, unterschiedlich vom bearbeiteten Material.
- Der Laserstrahl darf nicht zu einem Menschen gerichtet werden und man muss besonders darauf aufpassen, den Laserstrahl nicht zu Menschengen zu richten.

WERKZEUGTEILE ÜBERBLICK ARBEITSHINWEISE

- Vergewissern Sie sich immer davon, dass der Laserstrahl zu einem unbeschädigtem Material gerichtet ist, dessen Oberfläche den Strahl nicht widerspiegelt, das heißt Holz oder grob verkleideten Oberflächen.
- Bitte, wechseln Sie nicht den eingebauten Laser durch einen anderen, der von einem anderen Typ ist. Die Reparatur muss nur durch den Hersteller oder von einem autorisierten Servicedienst ausgeführt werden.

WERKZEUGTEILE ÜBERBLICK

- | | |
|--|--|
| 1. Arretierungsknopf für den Schalter | beim Schneiden |
| 2. Lasereinrichtung | 11. Parallele Schnittführung |
| 3. Laseröffnung | 12. Regler des Pendelhubs |
| 4. Schalter | 14. Elektronischer Regler der Hubgeschwindigkeit |
| 5. Gummierter Griff | 15. Schneller Sägeblattwechsel |
| 6. Grundplatte | 16. Staubabsaugeinsatz |
| 7. Schuhhalterung | 17. Befestigungsschraube der Parallelführung |
| 8. Sägeblattschutz | 18. Verriegelungshebel |
| 9. Führungsrolle | |
| 10. Skala für die Bestimmung der Neigung | |

ARBEITSHINWEISE

EIN- UND AUSSCHALTEN

Kurze Betätigung

- Starten: Schalter (4) wird gedrückt.
- Stoppen: Schalter (4) wird losgelassen.

Andauernde Arbeit

- Starten: Schalter (4) wird gedrückt und wird mit Hilfe des Knopfes (1) in diesem Zustand arretiert.
- Stoppen: Schalter (4) wird kurz gedrückt und sofort losgelassen.

Bei einem Stromausfall während der Arbeit wobei der Knopf (1) gedrückt ist, müssen Sie den Knopf sofort loslassen. Sie dürfen den Schalter mit dem Knopf (1) nicht arretieren in Fällen wenn es möglich ist, dass die Säge plötzlich gestoppt werden muss.

REGELN DER HUBGESCHWINDIGKEIT

Die Regulierung der Hubgeschwindigkeit verbessert die Arbeitsqualität der Säge und erlaubt, daß das zu bearbeitende Material nicht verletzt wird.

- Die Hubgeschwindigkeit wird durch das Drehen des Reglers (14) in die mit den Pfeilen gezeigten Richtungen reguliert.
- Um die Geschwindigkeit zu erhöhen, drehen Sie den Knopf gegen den Uhrzeigersinn. Um die Geschwindigkeit zu verringern, drehen Sie den Knopf im Uhrzeigersinn.
- Legen Sie die optimale Geschwindigkeit fest, wobei Sie einen Probeschnitt in einem unnötigen Stück vom Material machen.

DEMONTAGE DES SÄGEBLATTES

WARNUNG: Schalten Sie vor jeder Einstellung, Bedienung oder Wartung, so wie auch bei einem Stromausfall immer das Elektrowerkzeug aus und ziehen Sie den Stecker aus der Steckdose.

- Entfernen Sie die Schutzhaube (8) .
- Drehen Sie das Schnellspannfutter (15) und halten Sie es gedreht.
- Drücken Sie das benötigte Sägeblatt bis zum Anschlag in das Schnellspannfutter (15) .
- Lassen Sie das Schnellspannfutter los, es muss in seine Ausgangsposition zurückkehren. Das Sägeblatt ist nun verriegelt.
- Setzen Sie die Schutzhaube (8) wieder auf das Gerät.

SCHNEIDEN

Setzen Sie den vorderen Teil der Basisplatte auf das Werkstück und richten Sie die Schneidkante des Sägeblatts mit der Schneidelinie, die auf dem Werkstück gezeichnet ist, aus. Vergewissern Sie sich, dass sich das Netzkabel außerhalb des Arbeitsbereichs des Sägeblatts und nicht auf der Schneidelinie befindet. Schalten Sie die Säge ein und beginnen Sie sie das Sägeblatt in das zu bearbeitende Werkstück zu führen. Üben Sie nur so viel Druck aus, der dem Sägeblatt zum Sägen ausreicht und die Säge stabil bleibt.

WARNUNG: Sie dürfen die Säge nicht überlasten, anderenfalls kann die sie überhitzen und das Sägeblatt kaputtgehen.

Um eine maximale Leistungsfähigkeit und hohe Schnittqualität zu erreichen, verwenden Sie Sägeblätter, die dem zu bearbeitenden Material angemessen sind.

PENDELHUB

Der Pendelhub der Stichsäge sichert eine maximale Leistungsfähigkeit beim Schneiden, eine Verminderung der Reibung und der davon entstehenden Erhitzung, und erleichtert das Trennen von den Spänen. Bei der Arbeit mit dem Pendelhub geht das Sägeblatt bei seinem Lauf nach oben in das Werkstück ein, bei seinem Lauf nach unten berührt das Sägeblatt das Werkstück nicht.

Das Einschalten und die Regelung werden durch das Drehen des Hebels (12) bewirkt.

- Beim Schneiden mit einer höheren Geschwindigkeit in weichem Material setzen Sie den Hebel des Reglers in eine Stellung mit einem höheren Wert (3).
- Beim Schneiden in härterem Material setzen Sie den Hebel des Reglers in die Stellung ohne Pendelhub (0).

ANWENDUNG DES LASER-LINEAREN SYSTEMS

Aufmerksamkeit! Schauen Sie nicht direkt auf den Laserstrahl. Richten Sie den Strahl niemals auf Personen oder Gegenstände, die nicht auf der Arbeitsfläche liegen. Strahl sollte nicht auf die Augen des Menschen gerichtet werden. Der Strahl sollte nicht auf otra gerichtet werden-brennende Oberflächen, nur auf Holz oder Oberflächen mit unwiderstehlicher Beschichtung haben. Glänzende reflektierende Stahlblech oder ähnliche Oberflächen sind nicht geeignet für Laser verwenden, da Sie den Strahl auf den Arbeitnehmer reflektieren können.

- Führen Sie die Schnittlinie auf dem Werkstück aus.
- Bestimmen Sie den gewünschten Winkel.
- Schalten Sie das Instrument ein.
- Wenn die Säge mit der maximalen Geschwindigkeit, das Werkzeug zum Werkstück führen.
- Laserstrahl einschalten (Taste 2).
- Richten Sie den Strahl auf die Position auf dem Gegenstand und drücken Sie einfach die Säge mit zwei Händen, halten Sie den roten Balken auf der Markierung.
- Schalten Sie den Laserstrahl nach dem schneiden aus.
-

GERADLINIGES SCHNEIDEN

Sie können einen geradlinigen Schnitt ausführen, indem Sie die Basisplatte der Säge an einer Leiste oder einem Lineal entlang führen, welches vorher mit Hilfe einer Klemme am Werkstück befestigt wurde. Führen Sie den geradlinigen Schnitt nur in die eine Richtung aus, unterbrechen Sie den Schnitt nicht in der Mitte, um ihn von der Gegenseite zu beenden.

FORMSCHNEIDEN

Das Formschneiden wird durchgeführt, indem die Schneiderichtung durch den Druck auf dem Handgriff kontrolliert wird.

WARNUNG: Ein zu großer Seitendruck auf dem Sägeblatt kann zu seinem Bruch führen oder das Werkstück beschädigen.

SCHRÄGSCHNEIDEN

Der Neigungswinkel beim Schrägschneiden kann von 0° bis 45° nach links und rechts reguliert werden. Die Neigungswinkel beim Schrägschneiden, in Intervallen von 15°, sind auf der Skala (10) auf beiden Seiten der Basisplatte (6) bezeichnet. Die Einstellung von Zwischenstellungen des Schneidewinkels ist möglich, indem man einen Winkelmesser benutzt. In diesem Fall wird der Winkel nur mit den Schrauben fixiert.

Einstellung des Winkels (abb. C)

- Lösen Sie den Verriegelungshebel (18).
- Richten Sie den Schlitz, der dem gewählten Winkel auf der Basisplatte entspricht, mit dem Motorgehäusekante aus.
- Nachdem Sie den notwendigen Winkel eingestellt haben, schieben Sie die Basisplatte zurück bis der Fixierzahn des Motorgehäuses mit dem entsprechenden Schlitz auf der hinteren Seite der Basisplatte ausgerichtet ist.
- Den Hebel (18) verriegeln.

EINSTECHSCHNEIDEN

WARNUNG: Um die Kontrolle nicht zu verlieren, das Sägeblatt nicht zu brechen oder das zu bearbeitende Werkstück nicht zu beschädigen, immer mit hohen Aufmerksamkeit beim Einstechschneiden arbeiten.

Ein Einstechschneiden in andere Materialien, außer Holz, wird nicht empfohlen.

- Zeichnen Sie eine gut sichtbare Schnittlinie auf das Werkstück.
- Stellen Sie einen Schneidewinkel von 0° ein.
- Neigen Sie die Säge nach vorne so, dass sie auf dem vorderen Teil der Basisplatte liegt und beim Einschalten der Säge das Sägeblatt das zu bearbeitende Werkstück nicht berührt.
- Vergewissern Sie sich, dass sich das Sägeblatt im Schneidebereich befindet.
- Schalten Sie die Säge auf hohe Geschwindigkeit ein und schieben Sie langsam das Sägeblatt zu dem Werkstück vor, bis es sich in das Holz einschneidet.
- Führen Sie das Sägeblatt weiter im Werkstück herunter bis die Basisplatte auf der Werkstückoberfläche liegt, danach führen Sie die Säge der gezeichneten Schneidelinie entlang, um den Schnitt zu beenden.

SCHNEIDEN VON METALLEN

Mit dieser Säge können Sie verschiedene Metalle schneiden. Achten Sie darauf, dass Sie das Sägeblatt nicht drehen oder biegen. Üben Sie keinen zu starken Druck aus. Wenn das Sägeblatt zu stark vibriert, wechseln Sie es mit einem anderen, das kleinere Sägezähne hat und passend für das zu bearbeitende Material oder für die durchgeführte Arbeit ist, oder stellen Sie eine höhere Geschwindigkeit ein. Wenn das Sägeblatt zu heiß wird, müssen Sie mit einer niedrigeren Geschwindigkeit arbeiten. Wenn die Sägezähne beim Schneiden von weichen Metallen, z.B. Aluminium, verstopft werden, müssen Sie ein Sägeblatt mit größeren Sägezähnen verwenden oder mit einer niedrigeren Geschwindigkeit arbeiten. Beim Schneiden von Metallen empfehlen wir, dass die Schneidelinie mit Fett geschmiert wird. Das wird die Leistungsfähigkeit erhöhen, das Sägeblatt kühlen und sein Leben verlängern. Ziehen Sie das zu bearbeitende Werkstück mit einem Schraubstock fest und schneiden Sie so nah wie möglich an der Stelle, wo es festgezogen ist, um Vibrationen im Werkstück zu vermeiden.

Beim Schneiden von Rohren und Winkelprofilen halten Sie das Werkstück mit einem Schraubstock fest und schneiden Sie möglichst nah an den Schraubstockbacken. Beim Sägen von Dünnblech stellen Sie das Blech zwischen zwei Unterlagen aus Span- oder Sperrholzplatten, die mit Klemmen festgehalten sind, um Vibrationen und einen Verzug der beim Sägen entstandenen Linie zu vermeiden. Setzen Sie die Schablone, mit deren Hilfe Sie schneiden werden, auf die obere Platte.

WICHTIG: Beim Schneiden von Metallen müssen Sie den sichtbaren Teil des Sägeblatthalters mit einem mit Öl getränktem Lappen regelmäßig saubermachen, um ihn von Metallspänen zu reinigen. Schmeißen Sie den Lappen nach der Arbeit weg, um ein Brandrisiko zu vermeiden.

STAUBFREIER SCHNITT

Die Säge wird mit einem Staubabsaugeinsatz (16) geliefert, der auf dem Gehäuse montiert wird.

Der Staubabsaugeinsatz bewirkt eine Luftabsaugung um das Sägeblatt herum bei, indem Staub und Späne von der Schneidelinie abgesaugt werden und so eine bessere Sicht des Anwenders gewährleistet.

ARBEIT MIT EINER PARALLELEN SCHNITTFÜHRUNG

Die Säge wird mit einer parallelen Schnitfführung (11) geliefert, die sehr nützlich bei Quer- und Längsquerschnitten ist.

MONTAGE

Ziehen Sie den Stecker der Säge aus der Steckdose heraus.

WARNUNG: Wenn die Säge an das Versorgungsnetz angeschlossen bleibt, kann sie unabsichtlich betätigt werden, was eine Voraussetzung für einen Unfall ist.

- Schieben Sie den Arm der parallelen Schnitfführung durch die beiden Öffnungen in der Basisplatte der Säge.
- Stellen Sie mit der Führung den notwendigen Abstand von der Werkstückkante ein und fixieren Sie ihn mit den Schrauben (17).

ARBEIT MIT EINER PARALLELEN SCHNITTFÜHRUNG

Die Säge wird mit einer parallelen Schnitfführung (11) geliefert, die sehr nützlich bei Quer- und Längsquerschnitten ist.

MONTAGE

Ziehen Sie den Stecker der Säge aus der Steckdose heraus.

WARNUNG: Wenn die Säge an das Versorgungsnetz angeschlossen bleibt, kann sie unabsichtlich betätigt werden, was eine Voraussetzung für einen Unfall ist.

- Schieben Sie den Arm der parallelen Schnitfführung durch die beiden Öffnungen in der Basisplatte der Säge.
- Stellen Sie mit der Führung den notwendigen Abstand von der Werkstückkante ein und fixieren Sie ihn mit den Schrauben (17).

INSTANDHALTUNG

ALLGEMEINE ÜBERPRÜFUNG

Überprüfen Sie regelmäßig alle festhaltenden Elemente und überzeugen Sie sich, dass sie gut festgezogen sind. Falls irgendwelche Schraubenlocker geworden sind, ziehen Sie diese unverzüglich fest, damit Sie Risikosituationen vermeiden können.

Schmieren Sie regelmäßig alle sich bewegenden Teile. Falls das Netzkabel beschädigt ist, darf nur der Hersteller oder ein Servicefachmann des Herstellers den Austausch ausführen.

REINIGUNG

Zu einer sicheren Arbeit halten Sie die Maschine und die Ventilationsöffnungen immer sauber. Überprüfen Sie regelmäßig ob kein Staub oder Fremdkörper durch das Ventilationsgitter in der Nähe des Elektromotors oder um die Schalter eingedrungen sind. Benutzen Sie eine weiche Bürste um den angehäuften Staub zu beseitigen. Um Ihre Augen zu schützen, tragen Sie während der Reinigung eine Schutzbrille.

Wenn das Gehäuse der Maschine eine Reinigung braucht, wischen Sie es mit einem weichen feuchten Tuch ab. Man kann auch ein verdünntes Spülmittel benutzen.

WARNUNG!

Verwenden Sie niemals Alkohol, Benzin oder andere Reinigungsmittel. Verwenden Sie niemals ätzende Mittel Saubere Kunststoffteile. Wasser darf niemals mit dem Werkzeug in Berührung kommen.

ERSATZTEILE

Um die Produktsicherheit und Zuverlässigkeit zu gewährleisten, sollten Reparaturen, Wartungen und Anpassungen (einschließlich Bürstenkontrolle und Austausch) von autorisierten Kundendienststellen durchgeführt werden, wobei immer echte Ersatzteile verwendet werden.

TECHNISCHE DATEN

Model	JS750M
Stromspannung	220-240 V~ 50 Hz
Leistungsaufnahme	750 W
Leerlaufgeschwindigkeit	0-3000/min.
Zulässige Schnitttiefe	
- Holz	120 mm
- Stahl	8/12 mm
Lauf / Hub	26 mm
Klingentyp	T
Gewicht	2,9 kg
A-abgewogener Schalldruckpegel L_{pA}	85 dB(A), Unbestimmtheit 5 dB(A)
A-abgewogener Schalleistungspegel L_{WA}	96 dB(A), Unbestimmtheit 5 dB(A)
Wert der ausgestrahlten Schwingungen a_{hb}/a_{hm}	9.48/10.75 m/s ² , Unbestimmtheit 1,5 m/s ²
Schutzklasse	II

ZUBEHÖR:

Parallelführung, Sägeblatt, Fußabdeckung, 2xBatterien, Staubadapter, Gratschutzplatte.

Der Hersteller behält sich das Recht vor, Änderungen und Verbesserungen an den Produkten vorzunehmen und die Spezifikationen ohne vorherige Ankündigung zu ändern.

KONFORMITÄTSERKLÄRUNG

Hiermit versichern wir unsere persönliche Haftung, dass dieses Erzeugnis allen einschlägigen Bestimmungen folgender Richtlinien und entsprechender harmonisierten Standards entspricht:

2006/42/EC, 2014/30/EU; EN62841-1:2015+AC:15, EN62841-2-11:2016, AfPS GS 2019:01 PAK, EK9-BE-88(V2):2020, EN55014-1:2017, EN55014-5:2015, EN61000-3-2:2014, EN61000-3-3:2013.

Die technischen Unterlagen werden bei: STATUS ITALIA S.R.L., via Aldo Moro, 14/A, 36060 - Pianezze (VI), ITALY



Caron Giacinto
Director
STATUS Italia S.r.l.

ПРЕДНАЗНАЧЕНИЕ НА УРЕДА ОСНОВНИ ИЗИСКВАНИЯ ЗА БЕЗОПАСНОСТ

ПРЕДНАЗНАЧЕНИЕ НА УРЕДА

Този електроинструмент е предназначен за правене на разрези и прорези в дърво, пластмаса, метал, керамични плочки и гума, и е подходящ за прави и извити разрези под ъгъл до 45°.

ОСНОВНИ ИЗИСКВАНИЯ ЗА БЕЗОПАСНОСТ

ПРЕДУПРЕЖДЕНИЕ! Прочетете всички указания за безопасност и инструкции. Пропуски при спазването на указанията за безопасност и инструкциите могат да причинят токов удар, пожар и/или тежки наранявания.

Запазете всички указания за безопасност и инструкции за бъдещи справки.

Използваният в указанията за безопасност термин „електрически инструмент“ се отнася за работещи със захранване от мрежата електрически инструменти (със захранващ кабел) и за работещи с акумулаторни батерии електрически инструменти (без захранващ кабел).

РАБОТНО МЯСТО

- **Пазете работното си място в чисто състояние, без каквито и да било странични предмети.** Работното място трябва да бъде добре осветено за избягване на нещастни случаи.
- **Не използвайте уреда за работа във взривоопасна атмосфера и в близост до лесно възпламеними течности.** Електрическият двигател на уреда по време на работа изпуска искри и това може да стане причина за пожар.
- **По време на работа не се допуска присъствието на странични лица и деца на работното място.**

ЕЛЕКТРИЧЕСКА БЕЗОПАСНОСТ

- **Мрежовата розетка трябва да съответства на щепселната вилка, която е монтирана на мрежовия кабел на уреда.** *Забранено е да внасяте промени в конструкцията на вилката и да използвате каквито и да било преходни елементи.*
- **По време на работа избягвайте контакта със заземени предмети: водопроводни тръби, отоплителни радиатори и други.** *При контакт със заземени предмети рискът от електрически удар значително нараства.*
- **Предпазвайте уреда от въздействието на водата и повишената влажност.** *Попадането на вода във вътрешността на уреда може да причини електрически удар.*
- **Пазете мрежовия кабел на уреда.** *Не бива да използвате кабела за пренасяне на уреда, не бива да дърпате кабела, за да изключите уреда. Разполагайте кабела по време на работа далеч от източници на топлина, подвижни части на уреда и предмети с остри краища. Повреденият кабел може да стане причината за електрически удар.*

ОСНОВНИ ИЗИСКВАНИЯ ЗА БЕЗОПАСНОСТ

- **При работа с уреда извън помещенията е необходимо да използвате удължител, който е специално предназначен за експлоатация на открито.** *Използването на специален удължител съществено понижава риска от електрически удар.*
- **Когато работата с електрически инструмент във влажна обстановка е неизбежна, използвайте прекъсвач с дефектнотокова защита.** *Използването на прекъсвач с дефектнотокова защита намалява риска от токов удар.*

ЛИЧНА БЕЗОПАСНОСТ

- **Не бива да работите с уреда в състояние на алкохолно или наркотично опиянение, под въздействието на лекарства или ако сте болни.** *Краткосрочната загуба на контрол над уреда по време на работа може да стане причината за тежки травми.*
- **Винаги използвайте средства за индивидуална защита, както и защитни очила.** *Към средствата за индивидуална защита можем да включим следните: респиратор, обувки, които не се хлъзгат, както и шумозащитни наушници.* *Прилагането на средства за защита ще направи работата ви по-комфортна и безопасна.*
- **Бъдете внимателни: при включване на уреда в мрежата, клавишът на изключвателя не бива да бъде фиксиран във включено положение.** *Това ще помогне за избягване на случайното включване на уреда.*
- **Преди включване на уреда, от него трябва да бъдат свалени регулиращите инструменти, отвертките и други.** *Попадането на инструмента в подвижните части на уреда при включване може да стане причината за настъпване на травми и да доведе до излизането му от строя.*
- **По време на работа е необходимо да заемате устойчиво положение.** *Винаги стойте върху устойчива опора.* *Загубата на равновесие по време на работа може да стане причината за настъпване на тежки травми.*
- **Не бива да обличате за работа прекомерно свободни дрехи.** *Преди началото на работа свалете бижутата, които носите. Ако имате дълга коса, приберете я под шапка за коса.* *Попадането на краищата на дрехите, бижутата и косата в движещите се части на уреда може да причини травми.*
- **Ако е предвидено включването на прахосмукачка към уреда, е задължително да я включите преди работа.** *Ефективното почистване на праха от работната зона ще направи работата ви по-удобна и ще запази здравето ви.*

БЕЗОПАСНА ЕКСПЛОАТАЦИЯ И СЪХРАНЕНИЕ НА УРЕДА

- **Не бива да претоварвате уреда.** *За всеки вид работа използвайте само онзи вид инструмент или приспособление, които са предназначени за това.*
- **Не използвайте уреда, ако изключвателят му е повреден.** *Ако изключвателят не работи както трябва, и включването/изключването на уреда е затруднено, изключвателят трябва да бъде незабавно подменен.*

ДОПЪЛНИТЕЛНИ УКАЗАНИЯ ЗА БЕЗОПАСНОСТ

- Винаги изключвайте уреда от мрежата, преди да регулирате уреда или да подмените приставката. Това ще ви помогне да избегнете случайното включване на уреда по време на работите за обслужването му.
- Съхранявайте уреда на място, което е недостъпно за деца и лица, които нямат необходимите навици за работа с уреда. Лице, което преди това не е работило с такъв тип инструмент, преди началото на работата трябва внимателно да прочете тази инструкция.
- Преди да започнете работа, внимателно проверете състоянието на уреда: за лекотата на преместване на подвижните части, за липсата на повредени корпусни детайли и приспособления. Всяка повредена част на изделието или приспособление трябва да бъде подменена преди началото на работата.
- Съхранявайте режещото приспособление в чист вид, добре наточено и смазано.
- Използвайте инструмента и приспособлението само и единствено за извършване на тези видове работи, които са предвидени в инструкциите за експлоатация на съответния уред. Експлоатацията на уреда не по предназначение може да доведе до счупването му и да причини травми.

СЕРВИЗНО ОБСЛУЖВАНЕ

- Ремонтът на уреда трябва да се извършва в оторизиран сервизен център, от квалифициран персонал и само и единствено с оригинални резервни части. Използването на резервни части, които не са сертифицирани от производителя на съответния уред може да доведе до излизане на уреда от строя и нарушаване на нормите за електрическа безопасност на уреда.

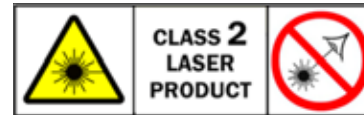
ДОПЪЛНИТЕЛНИ УКАЗАНИЯ ЗА БЕЗОПАСНОСТ

- Вашият електроинструмент е с двойна изолация за допълнителна защита срещу възможна повреда на машината.
- Винаги изключвайте захранващия кабел от контакта преди да предприемете каквато и да било настройка, ремонт или смяна на ножове.
- Убедете се, че осветлението е подходящо.
- Не използвайте триона ако предпазителите му не са поставени на мястото си.
- Дръжте основата плътно прилепена до обработваната повърхност.
- Не оказвайте натиск на триона, защото това ще забави електродвигателя. Оставете ножовете на триона да режат без да оказвате натиск. Така ще постигнете по-добри резултати.
- Старайте се да не създавате рискови ситуации.
- Не позволявайте на лица под 18 години да работят с този трион.
- Използвайте ножове в добро състояние.
- Преди да започнете да режете, проверете дали има достатъчно свободна площ за работа.

ДОПЪЛНИТЕЛНИ УКАЗАНИЯ ЗА БЕЗОПАСНОСТ ПРАВИЛА ЗА БЕЗОПАСНОСТ ПРИ РАБОТА С ЛАЗЕР

- Не докосвайте ножа след работа. Той е много горещ.
- Не дръжте ръцете си под обработвания материал.
- Не почиствайте от прах, боклук, стърготини с ръце, когато триона работи.
- Не оставяйте парцали, кабели, връзки и т.н. на работното място.
- Не режете гвоздеи. Проверявайте работното място дали е почистено от различни предмети преди да започнете да режете.
- Никога не се пресягайте над ножа, за да премахнете боклук или отпадъци от рязането.
- Не се опитвайте да освободите заял нож преди да сте изключили напълно машината.
- Ако ви прекъснат по време на работа първо довършете започнатото, изключете машината и едва тогава вдигнете поглед.
- Периодично проверявайте дали всички гайки, болтове и крепежни елементи са добре затегнати.
- Не складирайте материали или оборудване над мястото, където държите електроинструмента по такъв начин, че те да могат да паднат върху него.
- Дръжте електроинструмента само за изолираните повърхности за захващане когато извършвате операция, при която режещата принадлежност може да допре до скрита ел инсталация или до собствения шнур. Допирът на режещата принадлежност до проводник под напрежение ще постави откритите метални части на електроинструмента под напрежение и операторът ще получи токов удар.
- Не оставяйте триона с ножа нагоре върху работната маса. Това може да доведе до сериозни наранявания.
- Когато работите с ножов трион използвайте съответната екипировка, включваща защитни очила или каска, антифони, прахозащитна маска и защитни дрехи и ръкавици.
- Преди да оставите електроинструмента изчакайте ножът на триона да се установи в покой. Свободно лежащ трион с движещ се нож може да причини травма.

ПРАВИЛА ЗА БЕЗОПАСНОСТ ПРИ РАБОТА С ЛАЗЕР



Тези лазери обикновено не представляват опасност за очите, въпреки това обаче ако гледате директно в лазера може да бъдете заслепени.

ПРЕДУПРЕЖДЕНИЕ: Не гледайте директно към лазерния лъч. Ако преднамерено се взирате в лазерния лъч, съществува опасност за вашето зрение.

- Лазерът трябва да се използва и поддържа в съответствие с инструкциите на производителя.
- Никога не насочвайте лазерния лъч към човек или към предмет, който не е обработвания материал.

- Лазерният лъч не трябва да се насочва към човек и трябва особено да се внимава да не се насочва към човешки очи.
- Винаги се уверявайте, че лазерният лъч е насочен към здрав материал, чиято повърхност не отразява, т.е. дърво или грубо облицовани повърхности. Блестящата стоманена ламарина не е подходяща за лазерна обработка поради отразяващата ѝ повърхност, която може да насочи потока от лазерни лъчи обратно към оператора. Не подменяйте вградения лазер с друг, който не е от същия вид. Ремонтът трябва да се извършва само от производителя или от оторизираните сервизи.

ОПИСАНИЕ

- | | |
|---|---|
| 1. Бутон за застопоряване на включващия спусък | 9. Водач на ножа |
| 2. Бутон за включване и изключване на лазера | 10. Скала за определяне ъгъла на рязане |
| 3. Лазерен излъчвател | 11. Паралелен водач |
| 4. Прекъсвач за включване и изключване на триона | 12. Лост за регулиране на махаловидния ход |
| 5. Ергономична ръкохватка с покритие от еластолан | 14. Електронен регулатор на честотата на ходовете |
| 6. Плъзгаща се основа | 15. Устройство за смяна на ножа без инструменти |
| 7. Скоба на основата | 16. Адаптер за прахоотвеждане |
| 8. Предпазител на ножа | 17. Винтове на паралелния водач |
| | 18. Закljučващия лост |

УПОТРЕБА

ПУСКАНЕ - СПИРАНЕ

Кратковременно пускане

- Пускане: прекъсвачът 4 се натиска и се задържа.
- Спиране: отпуска се прекъсвачът .

Продължителна работа

- Пускане: натиснете прекъсвача 4 и го блокирайте с бутона 1.
- Спиране: прекъсвачът се натиска еднократно и се отпуска.

РЕГУЛИРАНЕ ЧЕСТОТАТА НА ХОДОВЕТЕ

Регулирането на честотата на ходовете подобрява работата на триона и запазва ножа от износване.

- Регулаторът се използва за задаване на честотата на ходовете на ножа. Честотата на ходовете трябва да бъде съобразена с вида на обработвания материал.
- За да увеличите скоростта, завъртете копчето обратно на часовниковата стрелка. За да намалите оборота на скоростта копчето по часовниковата стрелка.

- Определете оптималната скорост като направите тестово рязане в непотребен материал.

Забележка. Когато използвате подходяща скорост за конкретната работа, ще увеличите живота на ножа.

СМЯНА НА НОЖА

Предупреждение: Уверете се, че инструментът е изключен и щепселът на захранващия кабел е изваден от контакта преди да смените настройките.

- Отстранете защитния капак (8) .
- Завъртете бързозатягащия патронник (15) и го задръжте завъртян.
- Притиснете необходимия режещ нож до упор в бързозатягащия патронник (15) .
- Отпуснете бързозатягащия патронник , той трябва да се върне в изходната си позиция. Режещият нож е блокиран.
- Отново поставете защитния капак (8) на уреда.

НАСТРОЙВАНЕ НА МАХАЛОВИДНИЯ ХОД

- Лостът за регулиране на махаловидния ход (12) има 4 положения.
- Положение „0“ избира нормално рязане без махаловиден ход.
- При следващите три положения „1, 2 и 3“ ножът леко се мести напред и назад докато реже. Махаловидният ход увеличава производителността на рязането.
- Настройте лоста на една от четирите позиции в зависимост от това каква степен на махаловидно действие е необходима. Изпробвайте върху непотребно парче от материала, за да определите оптималния махаловиден ход на триона за конкретния материал.

ЛАЗЕРНАТА СИСТЕМА

Предупреждение: Не гледайте директно към лазерния излъчвател.

Никога не насочвайте лазерния лъч към човек или предмет, а само към обработвания материал.

Лазерният лъч не трябва да се насочва преднамерено към човек и трябва особено да се внимава да не бъде насочен към човешко око.

Винаги се уверявайте, че лазерният лъч е насочен към твърд материал, чиято повърхност не отразява, т.е. дърво или грубо облицовани повърхности.

Блестящата стоманена ламарина не е подходяща за лазерна обработка поради отразяващата ѝ повърхност, която може да насочи потока от лазерни лъчи обратно към оператора. Включвайте лазера само когато електроинструментът се намира върху обработвания материал.

- Маркирайте линията на рязане върху обработвания детайл.
- Настройте ъгъла на рязане.
- Включете машината в захранването и пуснете електродвигателя.
- Когато ножът достигне максимална честота на ходове (след работа приблизително за 2 секунди), поставете триона върху обработвания детайл.

- Включете лазерния лъч с бутона (2).
- Изравнете лъча с линията, очертана върху обработвания детайл и бавно подавайте триона напред като използвате и двете си ръце. Внимавайте червената светлина на лазера да следва очертаната линия.
- Изключете лазерния лъч, когато приключите с рязането.

НАСТРОЙВАНЕ НА ОСНОВАТА ЗА РЯЗАНЕ ПОД ЪГЪЛ (Fig. C)

Предупреждение: Винаги изваждайте щепсела на кабела от контакта преди всякаква настройка или поддръжка.

- Разхлабете заключващия лост (18).
- Леко отместете основата. Сега може да я наклоните, за да нагласите необходимия ъгъл между 0° и 45°, използвайки скалата на скобата на основата (7).
- След това приплъзнете основата на триона докато водачът на ножа застане срещу задния ъгъл на ножа.
- Заклучете лоста (18).

НАСТРОЙКИ НА ПАРАЛЕЛНИЯ ВОДАЧ

Паралелният водач (11) се поставя в основата (6) и се застопорява със специалния бутон. Той се използва за придвижване на триона по права линия, която може да бъде страничната повърхност на обработвания детайл или права летва, закрепена към обработвания детайл.

- Поставете паралелния водач (11) в процепта му на основата (6).
- Настройте водача на желаното положение и го застопорете с бутона (17).

АДАПТЕР ЗА ПРАХООТВЕЖДАНЕ

Посредством адаптера за прахоотвеждане (16) свързвате инструмента със система за прахоотвеждане или с домашна прахосмукачка, за да може прахът да бъде изсмукван в процеса на работа.

Предупреждение: Не използвайте система за прахоотвеждане или домашна прахосмукачка, когато режете метал. Искрите могат да възпламенят остатъците от стърготини.

РЯЗАНЕ

- Включете триона и оставете ножа да достигне максимална честота на ходовете.
- Леко подавайте триона напред като използвате и двете си ръце, държейки здраво основата срещу обработвания материал.
- Не претоварвайте триона.

Забележка: Използвайте само натиск, достатъчен ножът да реже. Не претоварвайте инструмента, позволете на ножа и на триона да работят свободно.

ИЗРЯЗВАНЕ НА ОТВОРИ И РЯЗАНЕ ПО ОКРЪЖНОСТ

- Когато искате да започнете рязането от центъра на обработвания материал, пробийте отвор с диаметър 12 мм, за да сте уверени, че ще имате свобода на действие за ножа.
- Когато режете плътно доближени една до друга криви линии, намалете честотата на ходовете.

Предупреждение: Не подавайте триона напред по посоката на рязане, докато ножът не навлезе напълно в материала и основата не опре в повърхността.

РЯЗАНЕ НА МЕТАЛ

- При рязане на метал трябва да се използва подходяща за материала охлаждаща течност или масло.
- Полейте със смазочно масло ножа или обработвания материал по линията на рязане, за да предотвратите износването на ножа.

ПОДДРЪЖКА**ОБЩА ПРОВЕРКА**

Проверявайте редовно всички крепежни елементи и се уверете, че те са здраво притегнати. В случай, че някой от винтовете се е разхлабил, го затегнете незабавно, за да избегнете рискови ситуации.

Ако охранващият кабел е повреден, замяната трябва да се извърши от производителя или негов сервизен специалист, за да се избегнат опасностите от замяната.

ПОЧИСТВАНЕ

За безопасна работа поддържайте винаги чисти машината и вентилационните отвори. Редовно проверявайте дали във вентилационната решетка близо до електродвигателя или около превключвателите не е проникнал прах или чужди тела. Използвайте мека четка за да отстраните събралия се прах.

За да предпазите очите си, по време на почистването носете защитни очила.

Ако корпусът на машината се нуждае от почистване, избършете го с мека влажна кърпа. Може да се използва слаб препарат за миене.

ПРЕДУПРЕЖДЕНИЕ!

Не се допуска употребата на спирт, бензин или други разтворители. Никога не използвайте разяждащи препарати за почистване на пластмасовите части. Не се допуска влизането на вода в контакт с машината.

РЕЗЕРВНИ ЧАСТИ

За да се осигури безопасната работа с електроинструмента и неговата надеждност, всички дейности по ремонта, поддръжката и регулирането (включително проверката и подмяната на четките) трябва да се извършват в оторизирани сервизи с използване само на оригинални резервни части.

ТЕХНИЧЕСКИ ДАННИ

Модел	JS750M
Номинално напрежение	220-240 V~ 50 Hz
Консумирана мощност	750 W
Обороти на празен ход	0-3000/min.
Макс. дълбочина на рязане	
- дърво	120 mm
- стомана / алуминий	8/12 mm
Ход	26 mm
Тип ножа	T
Тегло	2,9 kg
A-претеглено ниво на звуково налягане L_{pA}	85 db(A), Неопределеност 5 dB(A)
A-претеглено ниво на звукова мощност L_{wA}	96 dB(A), Неопределеност 5 dB(A)
Стойност на излъчените вибрации a_{hb}/a_{nm}	9.48/10.75 m/s ²
Клас на защита	II

Окомплектовка:

Паралелен водач, нож за триони, капак за крака, 2хбатерии, адаптер за прах, плоча срещу свръх.

Производителят си запазва правото да въвежда подобрения и промени в своите изделия и да променя спецификациите без предупреждение.

ДЕКЛАРАЦИЯ ЗА СЪОТВЕТСТВИЕ

Декларираме на своя лична отговорност, че електроинструмент(и) **JS750M** съгласно даденото техническо описание отговаря на всички приложими изисквания на следните директиви: **2006/42/EC, 2014/30/EU.**

Хармонизирани стандарти: **EN62841-1:2015+AC:15, EN62841-2-11:2016, AfPS GS 2019:01 PAK, EK9-BE-88(V2):2020, EN55014-1:2017, EN55014-5:2015, EN61000-3-2:2014, EN61000-3-3:2013.**

Техническа документация: STATUS ITALIA S.R.L., via Aldo Moro, 14/A, 36060 - Pianezze (VI), ITALY



Caron Giacinto
Director
STATUS Italia S.r.l.

STATUS ITALIA S.R.L., ул. „Алдо Моро“ 14/A –
36060 Пианезе (Виченца), Италия.

Дистрибутор на територията на България:
Спринтер ООД.

Адрес по регистрация: България, гр. София 1000, бул. Христо Ботев 28, ет. 7.

Адрес за кореспонденция: България, гр. София 1303,

бул. Тодор Александров №28, магазин №4.

Уебсайт: www.status-tools.com, E-mail: office@status-tools.eu.

Тел. 02 870 51 98

ПРЕДНАЗНАЧЕНИЕ ИЗДЕЛИЯ ОСНОВНЫЕ ТРЕБОВАНИЯ БЕЗОПАСНОСТИ

ПРЕДНАЗНАЧЕНИЕ ИЗДЕЛИЯ

Этот инструмент предназначен для вырезания отверстий и осуществления пропилы в древесине, пластмассе, металле, керамической плитке и резине и может использоваться для вырезания по прямой или кривой линии под углом 45°.

ОСНОВНЫЕ ТРЕБОВАНИЯ БЕЗОПАСНОСТИ

Внимание! Прочтите данное руководство полностью. Соблюдайте данные инструкции! Несоблюдение перечисленных правил безопасности может быть связано с риском поражения электрическим током, пожара или травмы.

Сохраните данное руководство.

РАБОЧЕЕ МЕСТО

- a) Содержите рабочее помещение (место) в чистоте и достаточно освещенным. Беспорядок и темнота приводят к несчастным случаям.
- b) Не работайте электрической ручной машиной во взрывоопасной среде, в которой имеются огнеопасные жидкости, газы и пыль. При работе машиной могут возникнуть искры, что при наличии пыли, испарений, газов может привести к воспламенению и задымлению.
- c) Не допускайте при работе машиной присутствия детей и посторонних лиц. Отвлечение внимания в процессе работы может быть причиной потери вашего контроля.

ЭЛЕКТРОБЕЗОПАСНОСТЬ

- a) Электрические ручные машины должны иметь штепсельный разъем. Запрещается использовать нестандартную вилку и иные способы соединения с источником питания.
- b) Не допускайте контакта тела с заземлением и заземленными поверхностями, такими как трубы, радиаторы, батареи и т.п.
- c) Запрещается работать машиной в условиях, не защищенных от дождя, во влажных и сырых помещениях. Влага, проникнув в машину, будет увеличивать опасность поражения электрическим током.
- d) Не допускайте небрежного отношения к питающему кабелю (шнуру); не используйте его для переноса машины и для отключения из сети питания машины. Оберегайте питающий шнур от тепла, масел, острых кромок (предметов), движущихся частей машины. Повреждение или запутывание питающего шнура увеличивает опасность поражения электрическим током.

ЛИЧНАЯ БЕЗОПАСНОСТЬ

- a) Не теряйте бдительности, контролируйте ваши действия и используйте чувство разума при работе машиной. Не работайте машиной до полной усталости или под

ОСНОВНЫЕ ТРЕБОВАНИЯ БЕЗОПАСНОСТИ

- влиянием наркотиков, алкоголя или будучи на лечении. Минута (момент) невнимательности в процессе работы машиной может быть результатом серьезной травмы.
- b) Используйте индивидуальные средства защиты (очки для глаз, маску от пыли, прочный головной убор, наушники от шума, нескользящую обувь).
- c) Не допускайте случайного запуска машины. Перед включением в сеть убедитесь, что выключатель находится в положении "выключено". Не переносите машину, включенную в сеть, не сняв палец с курка выключателя, так как это может привести к случайному нажатию на курок выключателя.
- d) Не включайте машину, не убрав регулировочный ключ или ключ патрона машины.
- e) Не перенапрягайтесь, сохраняйте устойчивость и равновесие во всех случаях. Это позволяет лучше управлять машиной в неожиданных ситуациях.
- f) Одежда работающего машиной не должна быть свободной, изношенной или быть с ювелирными украшениями, так как они могут быть причиной травмы. При наличии длинных волос используйте головной убор.
- g) При наличии устройств для сбора пыли убедитесь, что они подсоединены и правильно используются.

ПРИМЕНЕНИЕ РУЧНОЙ МАШИНЫ И ОБРАЩЕНИЕ С НЕЙ

- a) Не перегружайте машину. Правильно ее используйте согласно назначению, она будет работать лучше и безопаснее в том режиме, для которого предназначена.
- b) Не работайте машиной, если выключатель не обеспечивает ее включение или выключение. Машина с неисправным органом управления, таким как выключатель, опасна и должна подлежать ремонту.
- c) Отсоединяйте штепсельную вилку от сети или аккумуляторную батарею от машины до выполнения настройки, изменения принадлежностей и т.п. Такие принудительные меры безопасности снижают опасность при случайном запуске машины.
- d) Не допускайте детей и посторонних лиц в зону работы машиной.
- e) Содержите машину в исправном состоянии. Прежде чем использовать машину, проверьте ограждающие устройства и другие детали, которые могут быть повреждены. Контролируйте легкость хода движущихся деталей. В случае поломки они должны быть заменены службой сервиса.
- f) Обеспечьте должное состояние режущего инструмента. Для лучшей работы и безопасного применения режущий инструмент должен быть острым и исправным.
- g) Используйте машину вместе с режущим инструментом и принадлежностями в соответствии с инструкциями.

СЕРВИСНОЕ ОБСЛУЖИВАНИЕ

Машина, подлежащая ремонту, должна быть отремонтирована квалифицированным персоналом с использованием для замены подлинных запасных частей. Только в этом случае можно быть уверенным, что безопасность машины обеспечена.

ТРЕБОВАНИЯ БЕЗОПАСНОСТИ ПРИ РАБОТЕ С ЛОБЗИКОМ

- Убедитесь, что освещения достаточно.
- Не перегружайте электроинструмент, работайте на подходящей скорости. При сильном нажиме на инструмент может возникнуть перегрузка, при которой замедляется и становится неэффективной работа двигателя.
- Не допускайте к работе лобзиком лиц, не достигших 18-ти лет.
- Перед работой убедитесь, что для работы имеется достаточно места. Пилки должны быть всегда в хорошем состоянии. Не прикасайтесь к пилке. После работы она очень горячая.
- Не держите руки под обрабатываемым материалом. Не удаляйте мусор, стружку, пыль из-под работающего лобзика. Следите за тем, чтобы вблизи от рабочего места не находились тряпки, провода, веревки.
- Лобзик не предназначен для разрезания гвоздей. Перед работой убедитесь в том, что в рабочей зоне лобзика нет гвоздей, винтов и им подобных предметов.
- Не пытайтесь освободить пилку, застрявшую в материале, на работающем лобзике.
- Если кто-нибудь прервет Вас во время работы, сначала доведите ее до конца и лишь потом обернитесь к нему.
- Перед началом работы убедитесь в том, что все болты хорошо затянуты.
- Не храните материалы и оборудование над местом, где храните инструмент.
- В случае потенциальной возможности касания режущей принадлежности до скрытой электропроводки или до собственного питающего шнура, держите электроинструмент только за изолированные поверхности рукояток. Контакт принадлежности с токоведущим проводом ставит под напряжение также открытые металлические части электроинструмента и может привести к поражению оператора электрическим током.
- Не работайте без предохранительных очков.
- Применяйте средства защиты от шума. Рекомендуется использование защитных перчаток.
- **Не допускается оставлять лобзик, не дождавшись полного останова пилки.** Свободно лежащий лобзик с движущейся пилкой может причинить серьезные травмы.

ПРАВИЛА БЕЗОПАСНОСТИ ПРИ РАБОТЕ С ЛАЗЕРОМ



Такие лазеры, обыкновенно, не представляют опасности для глаз. Не смотря на это, если смотреть непосредственно в луч лазера, можно повредить глаза (ослепнуть).

ПРЕДУПРЕЖДЕНИЕ: Не смотрите прямо в лазерный луч. В случае преднамеренного всматривания в лазерный луч возникает опасность повреждения зрения.

- Лазер следует использовать и поддерживать в соответствии с инструкциями изготовителя.
- Никогда не направляйте лазерный луч на человека или предмет, который не является обрабатываемым материалом.
- Лазерный луч не следует направлять на человека. Особое внимание следует уделять тому, чтобы не направлять его в глаза.
- Всегда убеждайтесь в том, что лазерный луч направлен на прочный материал, поверхность которого не отражает – например, дерево или грубые облицовочные плоскости. Блестящая стальная жесть не подходит для лазерной обработки из-за характерной отражающей поверхности, которая может отразить лазерный луч обратно на оператора.
- Не меняйте встроенный лазер на лазер другого вида. Для ремонта следует обращаться только к изготовителю, или в специализированную мастерскую.

ОПИСАНИЕ

- | | |
|------------------------------------|--|
| 1. Кнопка фиксации выключателя | 11. Параллельная направляющая |
| 2. Включение и выключение лазера | 12. Переключатель маятникового хода |
| 3. Лазерная апертура | 14. Регулятор изменения скорости лобзика |
| 4. Включение и выключение лобзика | 15. Быстрозажимной фиксатор пилки |
| 5. Рукоятка с резиновыми вставками | 16. Адаптер для пылесоса |
| 6. Опорная подошва | 17. Фиксатор параллельной направляющей |
| 7. Скоба подошвы | 18. Рычаг фиксатора угла наклона подошвы |
| 8. Предохранительный экран | |
| 9. Ведущий ролик | |
| 10. Шкала угла резки | |

УКАЗАНИЯ ПО РАБОТЕ

ПУСК - ОСТАНОВКА

Кратковременный пуск

- Пуск: переключатель питания 4 нажать и удержать.
- Остановка: отпустить переключатель 4.

Длительная работа

- Пуск: утопите переключатель 4 и заблокируйте его кнопкой 1.
- Остановка: однократно нажать и отпустить переключатель.

НАСТРОЙКА СКОРОСТИ РЕЗКИ

Настройка скорости резки (14) улучшает работу лобзика и защищает пилку от изнашивания.

- Кнопка настройки скорости используется для программирования скорости пилки. Скорость резки нужно выбирать с учетом обрабатываемого материала.
- Чтобы увеличить скорость, поверните диск против часовой стрелки. Чтобы уменьшить скорость поверните диск по часовой стрелке.
- Определите оптимальную скорость, сделав тест в ненужном куске материала.

Предостережение: Правильно выбранная скорость работы увеличивает срок службы пилки.

ЗАМЕНА ПИЛКИ

Предостережение: До проведения любых манипуляций с заменой пилки убедитесь, что лобзик выключен и шнур выдернут из сети питания.

- Снимите предохранительный экран (8).
- Поверните и зафиксируйте кольцо фиксатора пильного полотна (15).
- Вставьте пильное полотно в прорезь фиксатора до упора.
- Отпустите кольцо. Пильное полотно зафиксировано. Проверьте надежность фиксации потянув полотно вниз, затем вверх.
- Установите назад защитный щиток (8).

РЕГУЛИРОВКА МАЯТНИКОВОГО ХОДА

- Регулятор маятникового хода (12) имеет 4 позиций.
- Позиция "0" включает обычный режим резки без маятникового хода.
- В следующих позициях регулятора "1, 2 и 3" пилка легко движется вперед и назад. Маятниковое движение увеличивает эффективность резки.
- Установите регулятор в одну из трех позиций в зависимости от того, какая интенсивность маятникового хода Вам необходима. Сделайте пробную резку на ненужном куске материала, чтобы настроить лобзик на оптимальный результат.

ПРИМЕНЕНИЕ ЛАЗЕРНОЙ ЛИНЕЙНОЙ СИСТЕМЫ

Внимание! Не смотрите напрямую на луч лазера.

Никогда не направляйте луч на людей или предметы, кроме рабочей поверхности. Луч не должен быть направлен на глаза человека. Луч не должен направляться на отражающие поверхности, только на дерево или поверхности с неотражающим покрытием. Блестящий отражающий лист стали или подобные поверхности не подходят для использования лазера, так как могут отразить луч на работника.

- Проведите линию разреза на заготовке.
- Определите необходимый угол скоса.
- Включите инструмент.
- Когда пилка начнет работать на максимальной скорости (примерно через 2 секунды), подведите инструмент к заготовке.
- Включите лазерный луч (кнопка 2).

- Выровняйте луч по отметине на предмете и легко нажмите пилку двумя руками, удерживая красный луч на отметине.
- После резки выключите лазерный луч.

НАСТРОЙКА ОПОРНОЙ ПЛИТЫ ДЛЯ РЕЗКИ ПОД УГЛОМ (Рис. С)

Предостережение: Всегда вынимайте штепсель из розетки, перед тем как ремонтировать или настраивать лобзик.

- Переведите рычаг фиксатора (18) в крайнее положение.
- Легко передвиньте плиту. Наклоните и установите ее под угол от 0° до 45°, используя шкалу на скобке плиты (10).
- Перемещайте подошву лобзика (6), пока направляющая пилки (9) не остановится против заднего угла пилки.
- Верните рычаг фиксатора (18) в исходное (центральное) положение.

УСТАНОВКА ПАРАЛЛЕЛЬНОЙ НАПРАВЛЯЮЩЕЙ

Параллельная направляющая (11) устанавливается на платформу и держится при помощи фиксатора 17. Она используется для продвижения лобзика по прямой. Меняя позицию направляющей и используя прямой край для ориентира, можно быстро и легко производить прямые параллельные надрезы на деревянной поверхности.

- Вставьте параллельную направляющую (11) в щель подошвы (6).
- Закрепите направляющую в нужной позиции и зафиксируйте ее фиксатором (17).

ПРИСПОСОБЛЕНИЕ ДЛЯ ПЫЛЕОТВОДА

Адаптер для пылеотвода позволяет присоединять к инструменту систему пылеудаления для удаления пыли непосредственно во время работы инструмента.

Предостережение: Не пользуйтесь системой пылеудаления при резке металла. От искр могут возгореться остатки древесной пыли.

РЕЗКА

- Включите лобзик и подождите, пока пилка достигнет максимальной скорости.
- Легко перемещайте лобзик вперед и назад двумя руками, держа лобзик напротив материала.
- Не перегружайте лобзик.

Предостережение: Пилка и лобзик должны работать свободно, без нажима.

РЕЗКА УГЛУБЛЕНИЙ И ОКРУЖНОСТЕЙ

- Начиная от центра обрабатываемого материала сделайте отверстие диаметром 12 мм.
- Если необходимо резать две кривые, расположенные очень близко одна к другой, настройте лобзик на нижнюю скорость.

Предостережение: Не двигайте инструмент вперед, до того как пилка не до конца вошла в материал, а платформа не уперлась в поверхность.

ОБСЛУЖИВАНИЕ ДЕКЛАРАЦИЯ СООТВЕТСТВИЯ

РЕЗКА МЕТАЛЛА

- Используйте охлаждающий смазочный материал или масло.
- Во избежание ускоренного износа на обрабатываемый металл и пилку необходимо нанести смазочный материал.

ОБСЛУЖИВАНИЕ

ОБЩИЙ ОСМОТР

Проверяйте регулярно все элементы крепления и убедитесь в том, что они крепко затянуты. В том случае, если какой-либо винт ослаблен, незамедлительно затяните его во избежание ситуаций, связанных с риском.

Если кабель питания поврежден, замена должна быть осуществлена производителем или его сервисным специалистом во избежание опасностей, связанных с заменой.

УБОРКА

Регулярно проверяйте, не проникли ли в вентиляционные отверстия электродвигателя пыль или инородные тела. После каждого использования чистите изделие от пыли, стружки и опилок. Используйте мягкую щетку или струю сжатого воздуха, чтобы устранить накопившуюся пыль. Для чистки используйте влажную ткань с небольшим количеством мыла.

ВНИМАНИЕ!

Не используйте для чистки моющие средства или растворители - они могут вызвать повреждение пластмассовых деталей изделия. Проследите, чтобы вода не попала внутрь изделия.

ЗАМЕНА ЗАПАСНЫХ ЧАСТЕЙ

Использование при ремонте запасных частей других производителей может привести к выходу изделия из строя и серьёзным травмам. Только оригинальные запасные части, установленные в авторизованном сервисном центре, гарантируют надёжную и безопасную работу изделия.

ДЕКЛАРАЦИИ СООТВЕТСТВИЯ

STATUS ITALIA S.R.L. заявляет, что изделие торговой марки STATUS маятниковая пила (лобзик) **JS750M** изготовлена в соответствии со следующими директивами ЕС: **2006/42/ЕС, 2014/30/EU.**

Также соответствует нижеперечисленным стандартам: **EN62841-1:2015+AC:15, EN62841-2-11:2016, AfPS GS 2014:01 ПАК, ЕК9-ВЕ-88:2014, EN55014-1:2017, EN55014-5:2015, EN61000-3-2:2014, EN61000-3-3:2013.**

Техническая документация находится у производителя: STATUS ITALIA S.R.L., via Aldo Moro, 14/A, 36060 - Pianezze (VI), ITALY



Карон Джиасинто
Директор
STATUS Italia S.r.l.

ДЕКЛАРАЦИИ СООТВЕТСТВИЯ ТЕХНИЧЕСКИЕ ХАРАКТЕРИСТИКИ

Изделия соответствуют требованиям следующих технических регламентов Таможенного союза: ТР ТС 004/2011, ТР ТС 010/2011, ТР ТС 020/2011, ТР ЕАЭС 037/2016. Сведения о сертификате находятся на сайте www.status-tools.com
Изготовитель: СТАТУС ИТАЛИЯ С.р.л., Виа Альдо Моро, 14/А, 36060 - Пьянецце, Италия, сделано в кнр. Представительство в Российской Федерации: ООО «СТАТУС ТУЛС» 143085, Московская область, Одинцовский район, р/п Заречье, территория 12 месяцев ЖК, стр. 13.

ТЕХНИЧЕСКИЕ ХАРАКТЕРИСТИКИ

Модель	JS750M
Напряжение питания	220-240 В~ 50 Гц
Мощность	750 Вт
Частота ходов без нагрузки	0-3000 об./мин.
Макс. глубина пропила	
- дерево	120 мм
- сталь/алюминий	8/12 мм
Длина хода	26 мм
Тип пилки	T
Масса	2,9 кг
Срок службы	5 лет
А-взвешенный уровень звукового давления L_{pA}	85 db(A), Погрешность 5 dB(A)
А-взвешенный уровень звуковой мощности L_{WA}	96 dB(A), Погрешность 5 dB(A)
Величина излученных вибраций a_{hb}/a_{hm}	9.48/10.75 m/s ²
Класс защиты	II

Комплектация:

Параллельная направляющая, пыльное полотно, накладка подошвы, патрубков пылеотвода, 2 шт. батареек, антискользящая пластина.

Производитель оставляет за собой право изменять технические параметры изделия и его комплектацию без предварительного уведомления.

