



STATUS[®]
POWER TOOLS

ENG

JIGSAW

Original instructions

DE

PENDELHUBSTICHSÄGE

Originalbetriebsanleitung

IT

SEGNETTO ALTERNATIVO

Istruzioni originali

BG

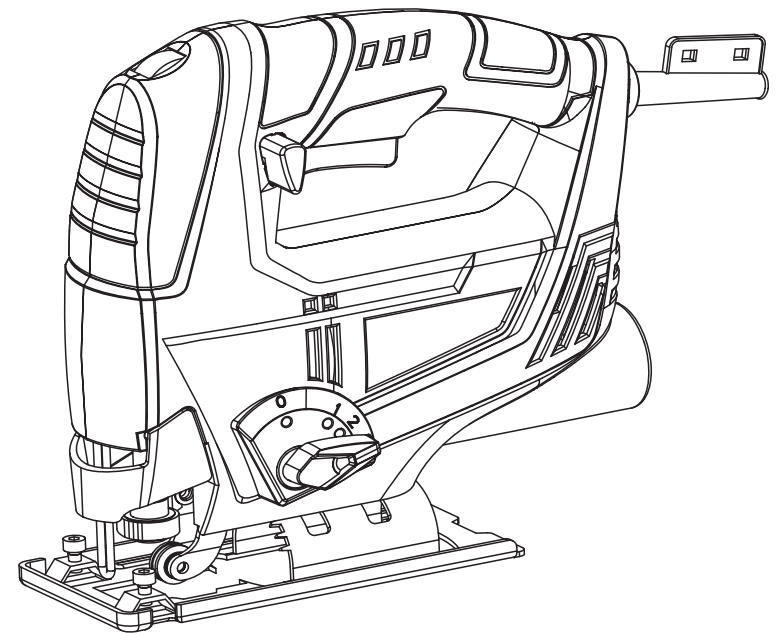
НОЖОВ ТРИОН

Оригинална инструкция за използване

RU

ЛОБЗИК

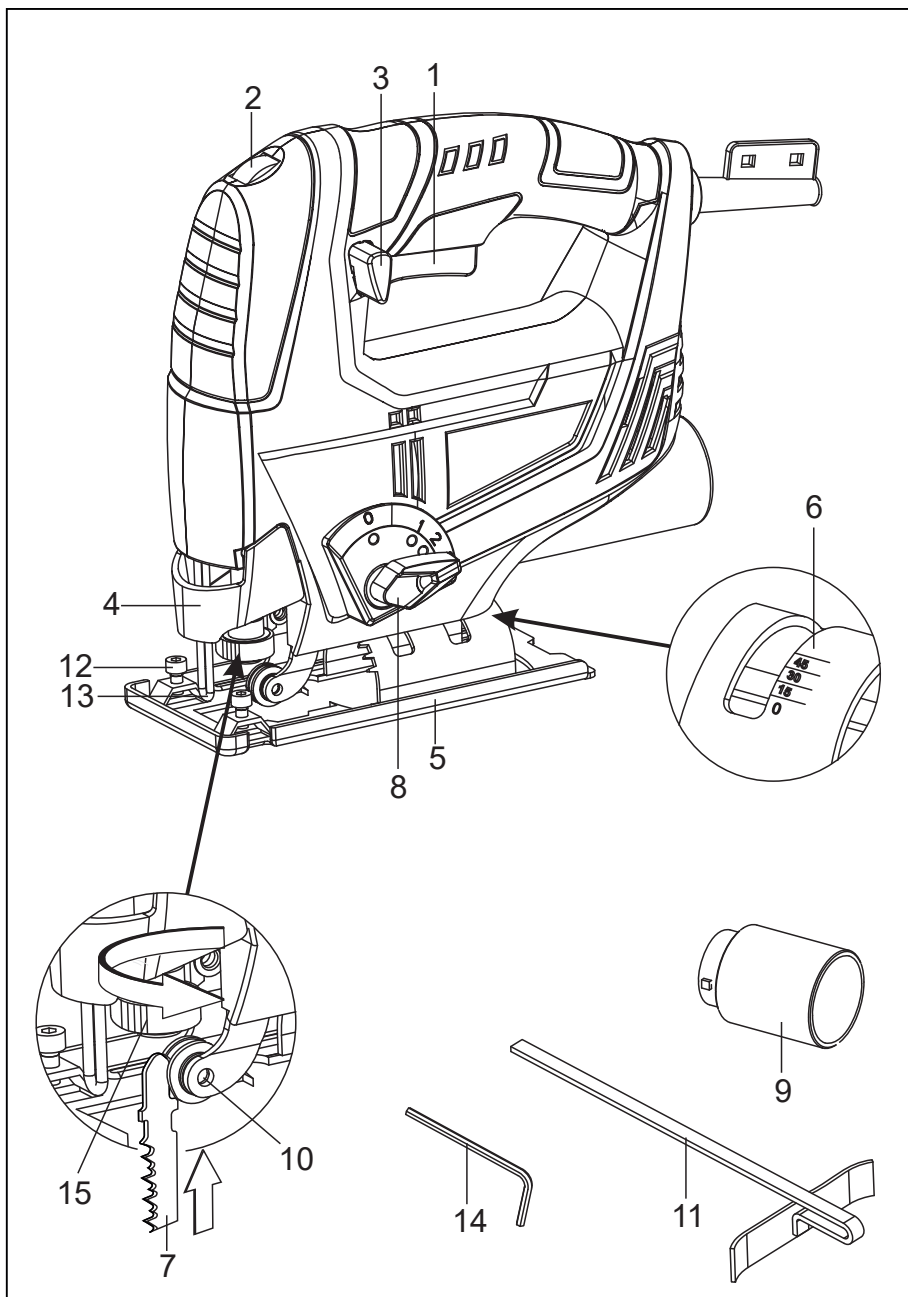
Оригинальная инструкция по эксплуатации



JS550



PLEASE RECYCLE
WHERE FACILITIES EXIST



GENERAL SAFETY RULES

WARNING! Read all safety warnings and all instructions. Failure to follow the warnings and instructions may result in electric shock, fire and/or serious injury.

Save all warnings and instructions for future reference.

The term "power tool" in the warnings refers to your mains-operated (corded) power tool or battery-operated (cordless) power tool.

WORK AREA SAFETY

- **Keep work area clean and well lit.** Cluttered or dark areas invite accidents.
- **Do not operate power tools in explosive atmospheres, such as in the presence of flammable liquids, gases or dust.** Power tools create sparks which may ignite the dust or fumes.
- **Keep children and bystanders away while operating a power tool.** Distractions can cause you to lose control.

ELECTRICAL SAFETY

- **Power tool plugs must match the outlet. Never modify the plug in any way. Do not use any adapter plugs with earthed (grounded) power tools.** Unmodified plugs and matching outlets will reduce risk of electric shock.
- **Avoid body contact with earthed or grounded surfaces such as pipes, radiators, ranges and refrigerators.** There is an increased risk of electric shock if your body is earthed or grounded.
- **Do not expose power tools to rain or wet conditions.** Water entering a power tool will increase the risk of electric shock.
- **Do not abuse the cord. Never use the cord for carrying, pulling or unplugging the power tool. Keep cord away from heat, oil, sharp edges or moving parts.** Damaged or entangled cords increase the risk of electric shock.
- **When operating a power tool outdoors, use an extension cord suitable for outdoor use.** Use of a cord suitable for outdoor use reduces the risk of electric shock.
- **If operating a power tool in a damp location is unavoidable, use a residual current device (RCD) protected supply.** Use of an RCD reduces the risk of electric shock.

PERSONAL SAFETY

- **Stay alert, watch what you are doing and use common sense when operating a power tool. Do not use a power tool while you are tired or under the influence of drugs, alcohol or medication.** A moment of inattention while operating power tools may result in serious personal injury.
- **Use personal protective equipment. Always wear eye protection.** Protective equipment such as dust mask, non-skid safety shoes, hard hat, or hearing protection used for appropriate conditions will reduce personal injuries.
- **Prevent unintentional starting. Ensure the switch is in the off-position before connecting to power source and/or battery pack, picking up or carrying the tool.** Carrying power tools with your finger on the switch or energising power tools

1. GENERAL SAFETY RULES

that have the switch on invites accidents.

- **Remove any adjusting key or wrench before turning the power tool on.** A wrench or a key left attached to a rotating part of the power tool may result in personal injury.
- **Do not overreach. Keep proper footing and balance at all times.** This enables better control of the power tool in unexpected situations.
- **Dress properly. Do not wear loose clothing or jewellery. Keep your hair, clothing and gloves away from moving parts.** Loose clothes, jewellery or long hair can be caught in moving parts.
- **If devices are provided for the connection of dust extraction and collection facilities, ensure these are connected and properly used.** Use of dust collection can reduce dust-related hazards.

POWER TOOL USE AND CARE

- **Do not force the power tool. Use the correct power tool for your application.** The correct power tool will do the job better and safer at the rate for which it was designed.
- **Do not use the power tool if the switch does not turn it on and off.** Any power tool that cannot be controlled with the switch is dangerous and must be repaired.
- **Disconnect the plug from the power source and/or the battery pack from the power tool before making any adjustments, changing accessories, or storing power tools.** Such preventive safety measures reduce the risk of starting the power tool accidentally.
- **Store idle power tools out of the reach of children and do not allow persons unfamiliar with the power tool or these instructions to operate the power tool.** Power tools are dangerous in the hands of untrained users.
- **Maintain power tools. Check for misalignment or binding of moving parts, breakage of parts and any other condition that may affect the power tool's operation. If damaged, have the power tool repaired before use.** Many accidents are caused by poorly maintained power tools.
- **Keep cutting tools sharp and clean.** Properly maintained cutting tools with sharp cutting edges are less likely to bind and are easier to control.
- **Use the power tool, accessories and tool bits etc. in accordance with these instructions, taking into account the working conditions and the work to be performed.** Use of the power tool for operations different from those intended could result in a hazardous situation.

SERVICE

- **Have your power tool serviced by a qualified repair person using only identical replacement parts.** This will ensure that the safety of the power tool is maintained

2. JIGSAW SAFETY WARNINGS

JIGSAW SAFETY WARNINGS

During operation provide eye protection to prevent eyes from exposure to flying particles. Wear goggles.

Wear hearing protection during continuous operation. Intense noise loading during operation may damage the operator's hearing.

Take protective measures against inhalation of dust. Some materials can contain toxic ingredients. Wear a dust mask and work with dust/chip extraction.

• **Hold power tool by insulated gripping surfaces only, when performing an operation where the cutting accessory may contact hidden wiring or its own cord.** Cutting accessory contacting a "live" wire may make exposed metal parts of the power tool "live" and could give the operator an electric shock.

- Do not process materials containing asbestos. Asbestos is carcinogenic.
- Use of protective gloves is recommended.

WARNING: Before connecting a tool to a power source ensure that the voltage supply is the same as the one specified on the nameplate of the tool.

- A power source with a voltage greater than that specified for the tool can result in serious injury to the user, as well as damage to the tool.
- If in doubt, do not plug in the tool.
- Using a power source with a voltage less than the nameplate rating is harmful to the motor.
- Fully unwind cable drum extensions to avoid potential overheating.
- When an extension cable is required, you must ensure that it has the right ampere rating for your power tool and it is in safe electrical condition.

WARNING: Always switch off and unplug the power tool prior to any adjustment, servicing or maintenance or in case of mains drop-out.

- Use clamps or a vice to secure your work whenever possible.
- While operating the machine, always hold it firmly with both hands and provide for a secure stance. The power tool is guided more securely with both hands.
- Do not operate the jigsaw without the fence set properly in its place.
- Keep hands away from the sawing range. Do not reach under the workpiece. Contact with the saw blade can lead to injuries.
- Apply the machine to the workpiece only when switched on.
- When the cut is completed, switch the machine off and then pull the saw blade out of the cut only after it has come to a standstill.
- Take care that the base plate rests securely on the material while sawing.
- Do not overload the machine: operate with moderate pressure. Overloading occurs when you apply excessive pressure, resulting in decrease of motor speed, which may cause inefficient operation and possible fault of the motor.
- Prior to sawing wood check the material for the presence of screws or nails and remove them.
- Always keep the cord away from the working area of the power tool.
- Never use the machine with a damaged cable. Do not touch the damaged cable

- and pull the mains plug when the cable is damaged while operating. Damaged cables increase the risk of electric shock.
- Keep work area clean. Blends of materials are particularly dangerous. Dust from light alloys can burn or explode.
 - Always wait until the machine has come to a complete stop before placing it down.
 - The tool must be used only for its prescribed purpose. Any use other than those mentioned in this Manual will be considered a case of misuse. The user and not the manufacturer shall be liable for any damage or injury resulting from such cases of misuse.
 - To use this tool properly, you must observe the safety regulations, the assembly instructions and the operating instructions found in this Manual. All persons who use and service the machine have to be acquainted with this Manual and must be informed about its potential hazards. Children and frail people must not use this tool. Children should be supervised at all times if they are in the area in which the tool is being used. It is also imperative that you observe the accident prevention regulations in force in your area.
- The same applies for general rules of occupational health and safety.
- The manufacturer shall not be liable for any changes made to the tool nor for any damage resulting from such changes.
 - Power tools must not be used outdoors in rainy weather, or in moist environment (after rain) or in close vicinity with easily flammable liquids and gases. The working place should be well lit.

OPERATION

KNOW YOUR PRODUCT

Before using the power tool, familiarize yourself with all the operating features and safety requirements. Use the tool and accessories only for the applications intended. All other applications are expressly ruled out.

- | | |
|-----------------------------|---------------------------------|
| 1. ON/OFF switch | 10. Roller guide |
| 2. Variable speed regulator | 11. Parallel guide |
| 3. Lock-on button | 12. Parallel guide fixing screw |
| 4. Fence | 13. Blade guard |
| 5. Base plate | 14. Hex key |
| 6. Bevel angle scale | 15. Blade quick release button |
| 7. Saw blade | |
| 8. Pendulum stroke knob | |
| 9. Dust extraction adapter | |

This power tool is designed for sawing wooden, plastic and metal plates and shapes.

PRIOR TO INITIAL OPERATION

- Make sure the power supply voltage corresponds to the value indicated on the name plate with technical data of the tool.
- Always check the position of ON/OFF switch. The power tool must be connected to the power supply socket only when this switch is in OFF position. If the plug is connected to a receptacle while the power switch is in the ON position, the power tool will start operating immediately, which could cause a serious accident.
- Make sure that the cord and the plug are in order. If the replacement of the supply cord is necessary, this has to be done by the manufacturer or his agent in order to avoid a safety hazard.
- Always make sure that the blade is secured in the holder.

WARNING: Always switch off and unplug the power tool prior to any adjustment, servicing or maintenance or in case of mains drop-out.

SWITCHING ON - SWITCHING OFF

Brief activation:

Switching on: press ON/OFF switch (1).

Switching off: release ON/OFF switch (1).

Continuous use:

Switching on: press ON/OFF switch (1) and in pressed position lock it by button (3).

Switching off: press ON/OFF switch (1) once and release it immediately.

In case of mains drop-out during operation while the lock-on button (3) is engaged, release the lock-on button immediately.

Do not lock the ON/OFF switch by button (3) while performing jobs which may require instant stopping of the saw.

ADJUSTING THE SPEED

Speed adjusting dial

The tool speed can be infinitely adjusted between 800 and 3,000 strokes per minute by turning the adjusting dial.

Higher speed is obtained when the dial is turned in the direction of number 6.

Lower speed is obtained when it is turned in the direction of number 1.

Refer to the table to select the proper speed for the workpiece to be cut.

However, the appropriate speed may differ with the type or thickness of the workpiece. In general, higher speeds will allow you to cut workpieces faster but the service life of the blade will be reduced.

The stroke rate must suit the kind of processed material.

The following guidelines may be used in determining correct speed for various applications:

- LOW speed is appropriate for starting cuts.
- MEDIUM speed is suitable for cutting hard metal, plastics and laminates.
- HIGH speed produces best results when cutting wood, aluminium, brass and copper.

Define the optimum speed by making a test cut in a piece of waste material.

3. OPERATION

BLADE INSTALLING

WARNING: Always switch off and unplug the power tool prior to any adjustment, servicing or maintenance or in case of mains drop-out.

- Remove the fence (4).
- Press the blade (7) slightly to the roller guide (10).
- Rotate the blade quick release button (15).
- Pull the blade out.

INSTALLING THE BLADE

WARNING: Always switch off and unplug the power tool prior to any adjustment, servicing or maintenance or in case of mains drop-out.

- Insert the blade until you hear an audible click, indicating that the blade shank has entered into the fixing apertures.
- Check to make sure the quick release button (15) is back in its initial position.
- Restore the fence (4).

WARNING: Never operate the saw without the fence (4) mounted.

GENERAL CUTTING

Rest the front of the base plate on the workpiece and align the blade cutting edge with the line marked on the workpiece. Ensure that the supply cord is out of the way of the saw blade and the cutting line. Switch the saw on and move it forward in the material. Apply only pressure to keep the saw steady and the blade running.

WARNING: Do not force the saw to prevent motor overheating and blade breakage. To achieve maximum efficiency and high quality of the cut, use blades, suitable for the specific job and the processed material.

PENDULUM ACTION

The saw pendulum action ensures maximum efficiency, reducing the friction and heat generation and improves chip ejection. With the pendulum action engaged the blade cuts through the material at upstroke but does not drag in the material at downstroke. Switching and setting the pendulum action is achieved by rotating knob (8).

- Select higher settings (3) for the knob for fast cutting in soft material.
- Use setting (0) without pendulum action when cutting hard material.

STRAIGHT CUTTING

Straight cutting is performed by guiding the base plate slide along a lath or straightedge clamped to the material. Cut the material in one direction only; do not cut halfway to complete the cut from the opposite side.

CURVE CUTTING

To perform curve cutting guide the direction of the cut by applying pressure on the handle.

WARNING: Excessive side pressure on the blade may result in blade breakage.

BEVEL CUTTING

Bevel cuts can be adjusted from 0° to 45° right or left. Bevel cutting angles in 15° increments are marked on the scale (6) on both the right and left side of the base plate (5).

3. OPERATION

Setting the angle at intermediate positions is possible using of a protractor. In this case the angle is fixed by the screws only.

Adjusting the angle

- Loosen the base retaining screws with the hex wrench (14) supplied with the tool until the base can move freely.
- Slide the base back slightly to release it from the tab on the motor housing.
- Align the mark on the base to the desired angle with the edge on the motor housing.
- Once the desired angle is reached, slide the base forward until the tab on the motor housing aligns with the corresponding notch on the base rear.
- Re-tighten the base retaining screws with the hex wrench to secure the base.

PLUNGE CUTTING

WARNING: To avoid loss of control, broken blade or damage to the material being cut, always use extreme caution when performing plunge cuts.

We do not recommend plunge cutting on materials other than wood.

- Mark the cutting line clearly on the material.
- Set the cutting angle at 0°.
- Tilt the saw forward so that it rests on the front edge of the base and the blade will not contact the material when the saw is switched on.
- Ensure that the blade is inside the area to be cut.
- Switch the saw on at high speed and slowly feed the blade toward the material until the blade cuts through the wood.
- Continue lowering the blade into the material until the base rests on the material surface, then move the saw forward to complete the cut.

CUTTING METAL

You can saw various metals with this saw. Be careful not to twist or bend the blade. Do not apply too much pressure. If the blade chatters or vibrates excessively, use a finer tooth blade, suitable for the processed material or the specific operation or select higher speed. If the blade heats excessively, use lower speed. If the blade teeth become filled or clogged when cutting soft metals, such as aluminium, use a coarser-tooth blade or lower speed. We recommend applying oil along the cutting line to keep the blade cool, increase efficiency, and prolong blade life.

Clamp the material firmly and cut close to the clamping point to eliminate any vibration of the workpiece being cut. When cutting conduit, pipe or angle iron, clamp work in a vice if possible and saw close to the vice. To cut thin sheet, place the sheet between two hardboard or ply wood supports, and clamp the layers to eliminate vibration and material tearing thus achieving a clean and smooth cut. Lay out your pattern or line of cut on the top layer.

IMPORTANT: When cutting metal, keep the exposed portion of saw bar clean and free of metal chips by wiping frequently with a cloth soaked in oil. Use extreme caution in disposing of this cloth after completion of job to prevent potential fire hazard.

4. TECHNICAL SPECIFICATIONS

DUST EXTRACTION

The jigsaw is delivered with a dust extraction adapter (9), fitted to the tool body. The dust extraction adapter facilitates air suction around the blade, thus extracting the dust and chips from the cutting line to improve operator's scope of vision.

TO INSTALL:

- Unplug the saw.

WARNING: Failure to unplug the saw may result in accidental starting and possible serious injury.

- Attach the dust extraction adapter to the tool body.
- Connect the dust extraction adapter to a dust collection system or a vacuum cleaner.

TO REMOVE:

- Unplug the saw.

WARNING: Failure to unplug the saw may result in accidental starting and possible serious injury.

- Draw out and remove the adapter.

PARALLEL GUIDE

The jigsaw is delivered with a parallel guide (11), which is a convenient device for making crosscuts and rip cuts.

TO INSTALL:

- Unplug the saw.

WARNING: Failure to unplug the saw may result in accidental starting and possible serious injury.

- Insert the parallel guide arm through the two slots in the base plate.
- Adjust the parallel guide to the desired distance from the edge of material and fix it by the screws (12).

TECHNICAL SPECIFICATIONS

| | |
|-------------------------|----------------|
| Model/frequency | JS550 |
| Power input | 230V~50HZ |
| No load speed | 570 W |
| Stroke length | 800 - 3000/min |
| Speed setting | 19mm |
| Blade type | 6 |
| Max cutting capacity: | T |
| wood | 65mm |
| metal | 6mm |
| Pendulum setting | 4 |
| Bevel adjustment | 0-45° |
| Weight | 1,9kg |
| Safety class (EN 62841) | II |

Included accessories: Parallel guide, spanner, dust outlet, blade.

4. TECHNICAL SPECIFICATIONS

Noise and vibration information

Noise emission (measured values determined according to EN 62841):

| | |
|-------------------------------------|------------|
| A-weighted sound pressure level LpA | 80.9 dB(A) |
| Uncertainty KpA | 3.0 dB |
| A-weighted sound power level LwA | 91.9 dB(A) |
| Uncertainty KwA | 3.0 dB |

Wear hearing protection!

Vibration emission

Total vibration values (vector sum in the three axes) determined according to EN 62841)

| | |
|-----------------------------|------------------------|
| Vibration emission value ah | 4,351 m/s ² |
| Uncertainty K | 1.5 m/s ² |

The vibration emission level given in this information sheet has been measured in accordance with a standardised test given in EN 61841 and may be used to compare one tool with another. It may be used for a preliminary assessment of exposure.

The declared vibration emission level represents the main applications of the tool. However if the tool is used for different applications, with different accessories or poorly maintained, the vibration emission may differ. This may significantly increase the exposure level over the total working period.

An estimation of the level of exposure to vibration should also take into account the times when the tool is switched off or when it is running but not actually doing the job. This may significantly reduce the exposure level over the total working period.

Maintain the power tool and the accessories and keep your hands warm during operation to reduce the harmful effect of vibrations.

Dust from material such as paint containing lead, some wood species, minerals and metal may be harmful. Contact with or inhalation of the dust may cause allergic reactions and/or respiratory diseases to the operator or bystanders. Certain kinds of dust are classified as carcinogenic such as oak and beech dust especially in conjunction with additives for wood conditioning (chromate, wood preservative). Material containing asbestos must only be treated by specialists.

- Where the use of a dust extraction device is possible it shall be used.
 - To achieve a high level of dust collection, use vacuum cleaner for wood or for wood and/or minerals together with this tool.
 - The work place must be well ventilated.
 - The use of a dust mask of filter class P2 is recommended.
- Follow national requirements for the materials you want to work with.

5. MAINTENANCE

MAINTENANCE

WARNING: Always ensure that the tool is switched off and unplugged before attempting to perform inspection or maintenance.

LUBRICATION

All bearings have been pre-lubricated at the factory with a sufficient amount of high grade lubricant for the life of the unit under normal operating conditions and no further lubrication is required.

BRUSH REPLACEMENT

When the carbon brushes are worn out, the machine switches itself off. In this case both brushes must be replaced simultaneously with genuine brushes at STATUS service centre for warranty and post-warranty service.

GENERAL INSPECTION

Regularly inspect all fasteners and ensure they are properly tightened. Should any of the screws be loose, retighten it immediately to avoid hazards. If the replacement of the supply cord is necessary, this has to be done by the manufacturer or his agent in order to avoid a safety hazard.

CLEANING

For safe operation always keep the machine and its ventilation slots clean. Regularly check to see if any dust or foreign matter has entered the ventilation slots and the grills around the switches. Use a soft brush and/or air jet to remove any accumulated dust. Wear safety glasses to protect your eyes whilst cleaning. Exterior plastic parts may be cleaned with a damp cloth and mild detergent if necessary.

WARNING: Never use alcohol, petrol or other cleaning agent.

Never use caustic agents to clean plastic parts.

WARNING: Water must never come into contact with the tool.

NOTE: Power tools are subject to accelerated wear and possible premature failures when sawing fibreglass, wallboard or plaster parts. The chips and grindings from these materials are highly abrasive to bearings, brushes, commutators, etc. It is not recommended to use the tool on these materials for continuous operation.

When sawing such materials it is extremely important to clean the power tool frequently with compressed air.

IMPORTANT! To assure product safety and reliability, repairs, maintenance and adjustment (including brush inspection and replacement) should be performed by certified service centres or other qualified service organisations, always using genuine replacement parts.

WARRANTY The guarantee period for STATUS power tools is determined in the guarantee card. Faults due to normal wear, overloading or improper handling will be excluded from the guarantee. Faults due to defective materials implemented as well as defects in workmanship will be corrected free of charge through replacement or repair. The complaints for defective STATUS power tools will be recognized if the machine is sent back to the dealer or is presented to the authorised warranty service centre undismantled, in its initial condition.

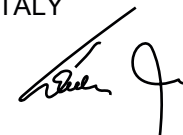
6. CE DECLARATION OF CONFORMITY

CE DECLARATION OF CONFORMITY

We STATUS ITALIA S.R.L. as the responsible manufacturer declare that the following STATUS machine(s): Jig saw Model No./ Type: JS550 are of series production and conforms to the following European Directives: 2006/42/EC, 2014/30/EU

And are manufactured in accordance with the following standards or standardised documents: EN55014-1:2017, EN 55014-2:2015, EN 61000-3-2:2014, EN 61000-3-3:2013, EN 62841-1:2015+AC:15, EN 62841-2-11:2016, AfPS GS 2014:01.

The technical documentation kept by the manufacturer: STATUS ITALIA S.R.L., via Aldo Moro, 14/A, 36060 - Pianezze (VI), ITALY



Caron Giacinto
Director
STATUS ITALIA S.R.L.

ALLGEMEINE SICHERHEITSHINWEISE

WARNUNG! Lesen Sie alle Sicherheits-hinweise und Anweisungen. **Versäumnisse bei der Einhaltung der Sicherheitshinweise und Anweisungen können elektrischen Schlag, Brand und/oder schwere Verletzungen verursachen.**

Bewahren Sie alle Sicherheitshinweise und Anweisungen für die Zukunft auf. Der in den Sicherheitshinweisen verwendete Begriff „Elektrowerkzeug“ bezieht sich auf netzbetriebene Elektrowerkzeuge (mit Netzkabel) und auf akkubetriebene Elektrowerkzeuge (ohne Netzkabel).

ARBEITSPLATZSICHERHEIT

- **Halten Sie Ihren Arbeitsbereich sauber und gut beleuchtet.** Unordnung oder unbeleuchtete Arbeitsbereiche können zu Unfällen führen.
- **Arbeiten Sie mit dem Elektrowerkzeug nicht in explosionsgefährdeter Umgebung, in der sich brennbare Flüssigkeiten, Gase oder Stäube befinden.** Elektrowerkzeuge erzeugen Funken, die den Staub oder die Dämpfe entzünden können.
- **Halten Sie Kinder und andere Personen während der Benutzung des Elektrowerkzeugs fern.** Bei Ablenkung können Sie die Kontrolle über das Gerät verlieren.

ELEKTRISCHE SICHERHEIT

- **Der Anschlussstecker des Elektrowerkzeuges muss in die Steckdose passen.** Der Stecker darf in keiner Weise verändert werden. Verwenden Sie keine Adapterstecker gemeinsam mit schutzgeerdeten Elektrowerkzeugen. Unveränderte Stecker und passende Steckdosen verringern das Risiko eines elektrischen Schlages.
- **Vermeiden Sie Körperkontakt mit geerdeten Oberflächen wie von Rohren, Heizungen, Herden und Kühlschränken.** Es besteht ein erhöhtes Risiko durch elektrischen Schlag, wenn Ihr Körper geerdet ist.
- **Halten Sie Elektrowerkzeuge von Regen oder Nässe fern.** Das Eindringen von Wasser in ein Elektrowerkzeug erhöht das Risiko eines elektrischen Schlages.
- **Zweckentfremden Sie das Kabel nicht, um das Elektrowerkzeug zu tragen, aufzuhängen oder um den Stecker aus der Steckdose zu ziehen.** Halten Sie das Kabel fern von Hitze, Öl, scharfen Kanten. Beschädigte oder verwickelte Kabel erhöhen das Risiko eines elektrischen Schlages.
- **Wenn Sie mit einem Elektrowerkzeug im Freien arbeiten, verwenden Sie nur Verlängerungskabel, die auch für den Außenbereich geeignet sind.** Die Anwendung eines für den Außenbereich geeigneten Verlängerungskabels verringert das Risiko eines elektrischen Schlages.
- **Wenn der Betrieb des Elektrowerkzeuges in feuchter Umgebung nicht vermeidbar ist, verwenden Sie einen Fehlerstromschutzschalter.** Der Einsatz eines Fehlerstromschutzschalters vermindert das Risiko eines elektrischen Schlages.

SICHERHEIT VON PERSONEN

- **Seien Sie aufmerksam, achten Sie darauf, was Sie tun, und gehen Sie mit Vernunft an die Arbeit mit einem Elektrowerkzeug.** Benutzen Sie kein Elektrowerkzeug, wenn Sie müde sind oder unter dem Einfluss von Drogen, Alkohol oder Medikamenten stehen.

- **Tragen Sie persönliche Schutzausrüstung und immer eine Schutzbrille.** Das Tragen persönlicher Schutzausrüstung, wie Staubmaske, rutschfeste Sicherheitsschuhe, Schutzhelm oder Gehörschutz, je nach Art und Einsatz des Elektrowerkzeuges, verringert das Risiko von Verletzungen.
 - **Vermeiden Sie eine unbeabsichtigte Inbetriebnahme.** Vergewissern Sie sich, dass das Elektrowerkzeug ausgeschaltet ist, bevor Sie es an die Stromversorgung und/oder den Akku anschließen, es aufnehmen oder tragen. Wenn Sie beim Tragen des Elektrowerkzeuges den Finger am Schalter haben oder das Gerät eingeschaltet an die Stromversorgung anschließen, kann dies zu Unfällen führen.
 - **Entfernen Sie Einstellwerkzeuge oder Schraubenschlüssel, bevor Sie das Elektrowerkzeug einschalten.** Ein Werkzeug oder Schlüssel, der sich in einem drehenden Geräteteil befindet, kann zu Verletzungen führen.
 - **Tragen Sie geeignete Kleidung. Tragen Sie keine weite Kleidung oder Schmuck.** Halten Sie Haare, Kleidung und Handschuhe fern von sich bewegenden Teilen. Lockere Kleidung, Schmuck oder lange Haare können von sich bewegenden Teilen erfasst werden.
 - **Wenn Staubabsaug- und -auffangeinrichtungen montiert werden können, vergewissern Sie sich, dass diese angeschlossen sind und richtig verwendet werden.** Verwendung einer Staubabsaugung kann Gefährdungen durch Staub verringern.
- #### **VERWENDUNG UND BEHANDLUNG DES ELEKTROWERKZEUGES**
- **Überlasten Sie das Gerät nicht.** Verwenden Sie für Ihre Arbeit das dafür bestimmte Elektrowerkzeug. Mit dem passenden Elektrowerkzeug arbeiten Sie besser und sicherer im angegebenen Leistungsbereich.
 - **Benutzen Sie kein Elektrowerkzeug, dessen Schalter defekt ist.** Ein Elektrowerkzeug, das sich nicht mehr ein- oder ausschalten lässt, ist gefährlich und muss repariert werden.
 - **Ziehen Sie den Stecker aus der Steckdose und/oder entfernen Sie den Akku, bevor Sie Geräteeinstellungen vornehmen, Zubehörteile wechseln oder das Gerät weglegen.** Diese Vorsichtsmaßnahme verhindert den unbeabsichtigten Start des Elektrowerkzeuges.
 - **Pflegen Sie Elektrowerkzeuge mit Sorgfalt. Kontrollieren Sie, ob bewegliche Teile einwandfrei funktionieren und nicht klemmen, ob Teile gebrochen oder so beschädigt sind, dass die Funktion des Elektrowerkzeuges beeinträchtigt ist.** Lassen Sie beschädigte Teile vor dem Einsatz des Gerätes reparieren. Viele Unfälle haben ihre Ursache in schlecht gewarteten Elektrowerkzeugen.
 - **Halten Sie Schneidwerkzeuge scharf und sauber.** Sorgfältig gepflegte Schneidwerkzeuge mit scharfen Schneidkanten verklemmen sich weniger und sind leichter zu führen.
- #### **SERVICE**
- **Lassen Sie Ihr Elektrowerkzeug nur von qualifiziertem Fachpersonal und nur mit Original- Ersatzteilen reparieren.** Damit wird sichergestellt, dass die Sicherheit des Elektrowerkzeuges erhalten bleibt.

SICHERHEITSGESETZE FÜR STICHSÄGEN

Während der Arbeit Schutzmittel für die Augen verwenden, um sich von fliegenden Teilchen zu schützen. Schutzbrille tragen.

Verwenden Sie Gehörschutzmittel, wenn Sie lange arbeiten.

Der intensive Lärm während der Arbeit kann Gehörbeschädigungen verursachen.

Schutzmaßnahmen gegen das Einatmen von Staub treffen.

Einige Materialien können Giftstoffe enthalten. Tragen Sie eine Staubschutzmaske.

• Halten Sie das Gerät nur an den isolierten Griffflächen, wenn Sie Arbeiten ausführen, bei denen das Einsatzwerkzeug verborgene Stromleitungen oder das eigene Netzkabel treffen kann. Der Kontakt mit einer spannungsführenden Leitung kann auch metallene Geräteteile unter Spannung setzen und zu einem elektrischen Schlag führen.

• Verwenden Sie eine Staubabscheidungs-Einrichtung bzw. schließen Sie das Gerät an einen Staubsauger an, wenn eine solche Vorrichtung vorhanden ist.

• Bearbeiten Sie keine asbesthaltigen Materialien. Asbest gilt als krebserregend.

WARNUNG: Bevor Sie das Elektrowerkzeug ans Stromnetz anschließen, stellen Sie sicher, dass die Spannung der Spannung, angegeben auf dem Geräteschild, entspricht. Eine Spannung, die höher als die Nennspannung ist, kann zu ernstesten Verletzungen führen, sowie auch Schäden am Elektrowerkzeug verursachen.

• Falls Sie nicht sicher sind, wie hoch die Netzspannung ist, schalten Sie das Elektrowerkzeug nicht ein.

• Falls die Spannung niedriger als die Nennspannung ist, wird der Motor beschädigt.

• Um eine eventuelle Überhitzung zu verhindern, rollen Sie das Kabel von einer Kabeltrommel immer bis zum Ende ab.

• Wenn Sie ein Verlängerungskabel benutzen müssen, versichern Sie sich zuerst, dass sein Querschnitt dem Nennstrom des benutzten Elektrowerkzeugs entspricht, so wie auch, dass es unbeschädigt ist.

WARNUNG: Schalten Sie vor jeder Einstellung, Bedienung oder Wartung, so wie auch bei einem Stromausfall immer das Elektrowerkzeug aus und ziehen Sie den Stecker aus der Steckdose.

• Verwenden Sie immer eine Klemme oder einen Schraubstock, um das zu bearbeitende Werkstück zu fixieren.

• Die Maschine während der Arbeit immer mit den beiden Händen festhalten und eine stabile Körperstellung einnehmen. Das Elektrowerkzeug wird sicherer geführt, wenn Sie es mit beiden Händen halten.

• Sie dürfen die Säge ohne die Schutzvorrichtung nicht verwenden.

• Halten Sie Ihre Hände außerhalb des Schneidebereiches und halten Sie ihre Hand nicht unter das zu bearbeitende Werkstück, solange das Sägeblatt schneidet. Die Berührung des laufenden Sägeblattes wird einen Arbeitsunfall verursachen.

• Eine Einführung des Sägeblattes in das zu bearbeitende Werkstück ist nur dann zulässig, wenn die Pendelhubstichsäge eingeschaltet ist.

• Wenn Sie mit dem Schneiden fertig sind, schalten Sie die Pendelhubstichsäge zuerst aus und ziehen das Sägeblatt erst dann heraus, wenn es nicht mehr in Bewegung ist.

• Halten Sie die Basisplatte dicht an der zu bearbeitenden Oberfläche.

• Sie dürfen die Maschine nicht überlasten: arbeiten Sie mit einem mäßigen Druck. Die Maschine wird überlastet, wenn Sie mit einem zu hohen Druck arbeiten, wobei der Motor sich langsamer zu drehen beginnt, das ist eine Voraussetzung für eine ineffektive Arbeit und einen eventuellen Motorschaden.

• Wenn Sie Holz schneiden, müssen Sie zuerst überprüfen, ob es Schrauben oder Nagel im Material gibt und sie eventuell entfernen.

• Halten Sie das Netzkabel außerhalb des Arbeitsbereichs der Maschine.

• Sie dürfen mit dem Elektrowerkzeug nicht arbeiten, wenn das Netzkabel beschädigt ist. Berühren Sie das beschädigte Netzkabel nicht und ziehen Sie den Stecker aus der Steckdose heraus, wenn das Netzkabel während der Arbeit beschädigt wird. Ein beschädigtes Netzkabel erhöht das Risiko für einen Stromschlag.

• Sie müssen den Arbeitsplatz sauber halten. Die Mischung vom Staub aus verschiedenen Materialien ist besonders gefährlich. Der Staub von Leichtmetallen kann brennen oder explodieren.

• Schalten Sie die Maschine immer aus, bevor Sie sie ablegen.

• Das Elektrowerkzeug soll nur bestimmungsgemäß verwendet werden.

Jeder anderer Gebrauch, anders als der Gebrauch, beschrieben in dieser Instruktion, gilt als nicht bestimmungsgemäß. Die Verantwortung für jede Schädigung oder Verletzung,

verursacht durch falschen Gebrauch, trägt der Betreiber und nicht der Hersteller.

Um dieses Elektrowerkzeug richtig zu betreiben, sollten Sie die Sicherheitsregeln, die allgemeinen Instruktionen und die Betriebsanweisungen, die hier angegeben sind, beachten. Alle Betreiber sollten sich mit dieser Betriebsanweisung bekannt machen und über die potenziellen Risiken bei der Arbeit mit dem Elektrowerkzeug informiert sein. Kinder und körperlich schwache Personen dürfen das Elektrowerkzeug nicht benutzen. Kinder sollten ständig kontrolliert werden, falls sie sich in der Nähe des Ortes, wo mit dem Elektrowerkzeug gearbeitet wird, befinden.

• Der Hersteller trägt keine Verantwortung für die vom Verbraucher am Elektrowerkzeug vorgenommenen Änderungen oder für Schäden, die von solchen Änderungen verursacht worden sind.

• Das Elektrowerkzeug darf nicht im Freien verwendet werden, wenn es regnet. Das Elektrowerkzeug darf nicht verwendet werden auch in feuchter Umgebung (wenn es geregnet hat) oder in der Nähe von leicht entzündbaren Flüssigkeiten oder Gasen. Der Arbeitsplatz muß gut beleuchtet sein. Die Mischung vom Staub aus verschiedenen Materialien ist besonders gefährlich.

Der Staub von Leichtmetallen kann brennen oder explodieren.

Schalten Sie die Maschine immer aus, bevor Sie sie ablegen.

ARBEITSHINWEISE

ELEMENTE DES ELEKTROWERKZEUGS

Bevor Sie mit dem Elektrowerkzeug zu arbeiten beginnen, müssen Sie sich mit allen Betriebsbesonderheiten und Sicherheitsbedingungen bekanntmachen. Verwenden Sie das Elektrowerkzeug und sein Zubehör nur für den bestimmten Zweck. Jede andere Anwendung ist absolut verboten.

- | | |
|--|--|
| 1. Schalter | 10. Führungsrolle |
| 2. Elektronischer Regler der Hubgeschwindigkeit | 11. Parallele Schnittführung |
| 3. Arretierungsknopf für den Schalter | 12. Schraube der parallelen Schnittführung |
| 4. Sägeblattschutz | 13. Sägesicherung |
| 5. Basisplatte | 14. Sechskantenschlüssel |
| 6. Skala für die Bestimmung der Neigung beim Schneiden | 15. Schneller Sägeblattwechsel |
| 7. Sägeblatt | |
| 8. Regler des Pendelhubes | |
| 9. Staubabsaugesatz | |

Dieses Elektrowerkzeug ist für Schneiden von Platten und Profilen aus Holz, Kunststoff und Metall vorgesehen.

VOR DEM ARBEITSBEGINN

- Überprüfen Sie ob die Netzspannung der Spannung, angegeben auf dem Typenschild des Elektrowerkzeuges entspricht.
- Überzeugen Sie sich in der Unversehrtheit des Netzkabels und des Steckers. Falls das Netzkabel beschädigt ist, sollte sein Austausch nur vom Hersteller oder von einem Servicefachmann vorgenommen werden
- Überprüfen Sie in welcher Stellung sich der Schalter befindet. Das Elektrowerkzeug darf nur bei einem ausgeschalteten Schalter ein- und ausgeschaltet werden. Wenn Sie den Stecker in die Steckdose einstecken, während der Hauptschalter eingeschaltet ist, wird das Elektrowerkzeug gleich starten, was eine Voraussetzung für einen Unfall ist.
- Überprüfen Sie vor der Arbeit immer ob das Sägeblatt gut befestigt ist.

WARNUNG: Schalten Sie vor jeder Einstellung, Bedienung oder Wartung, so wie auch bei einem Stromausfall immer das Elektrowerkzeug aus und ziehen Sie den Stecker aus der Steckdose.

EIN- UND AUSSCHALTEN

Kurze Betätigung

Starten: Schalter (1) wird gedrückt.

Stoppen: Schalter (1) wird losgelassen.

Andauernde Arbeit

Starten: Schalter (1) wird gedrückt und wird mit Hilfe des Knopfes (3) in diesem Zustand arretiert.

Stoppen: Schalter (1) wird kurz gedrückt und sofort losgelassen.

Bei einem Stromausfall während der Arbeit wobei der Knopf (3) gedrückt ist, müssen Sie den Knopf sofort loslassen.

Sie dürfen den Schalter mit dem Knopf (3) nicht arretieren in Fällen wenn es möglich ist, dass die Säge plötzlich gestoppt werden muss.

REGELN DER HUBGESCHWINDIGKEIT

Geschwindigkeit Einstellknopf

Die tool-Geschwindigkeit lässt sich stufenlos zwischen 800 und 3.000 Hüben pro Minuten durch drehen am Einstellknopf.

Die höhere Geschwindigkeit wird erreicht, wenn die Wählscheibe gedreht wird in der Richtung der Zahl 6.

Geringere Geschwindigkeit erhalten wird, wenn es aktiviert ist, in die Richtung der Zahl 1.

Entnehmen Sie der Tabelle, wählen Sie die richtige Geschwindigkeit für das Werkstück zu schneiden.

Jedoch, in angemessener Geschwindigkeit unterscheiden kann, mit dem Typ oder der Dicke der Werkstück. Im Allgemeinen, höhere Geschwindigkeiten erlauben das Ausschneiden von Werkstücken schneller, aber die Lebensdauer der Klinge wird reduziert.

Die Schlaganfall-rate muss entsprechend der Art des verarbeiteten Materials.

Die folgenden Richtlinien können verwendet werden, in der Bestimmung der richtigen Geschwindigkeit für verschiedene Anwendungen:

- **NIEDRIGE** Drehzahl ist geeignet für ab Schnitte.
- **MITTLERE** Geschwindigkeit ist geeignet zum schneiden von harten Metall, Kunststoffen und Laminaten.
- **HOHE** Geschwindigkeit erzeugt die besten Ergebnisse beim schneiden von Holz, aluminium, Messing - und Kupfer.

Definieren Sie die optimale Geschwindigkeit, indem Sie einen test-Schnitt in einem Stück Abfallmaterial.

DEMONTAGE DES SÄGEBLATTES

WARNUNG: schalten Sie Immer aus und ziehen Sie das Werkzeug vor jeder Einstellung, Instandhaltung, Wartung oder im Falle von Netz-drop-out.

- Entfernen Sie den Sägeblattschutz (4).
- Drücken Sie die Sägeblatt (7) leicht die Führungsrolle (10).
- Drehen Sie die Schneller Sägeblattwechsel (15).
- Ziehen Sie die Sägeblatt aus.

INSTALLIEREN DES SÄGEBLATTES

WARNUNG: schalten Sie Immer aus und ziehen Sie das Werkzeug vor jeder Einstellung, Instandhaltung, Wartung oder im Falle von Netz-drop-out.

3. ARBEITSHINWEISE

- Legen Sie die Klinge, bis Sie ein Klickgeräusch hören, was darauf hinweist, dass die Klinge Schaft eingetragene hat, die Festsetzung der Öffnungen.
- Stellen Sie sicher, dass der Schneller Sägeblattwechsel (15) wieder in seine ursprüngliche position.
- Stellen Sie den Sägeblattschutz (4).

WARNUNG: betreiben Sie Niemals die Säge ohne den Sägeblattschutz (4) montiert.

SCHNEIDEN

Setzen Sie den vorderen Teil der Basisplatte auf das Werkstück und richten Sie die Schneidkante des Sägeblatts mit der Schneidelinie, die auf dem Werkstück gezeichnet ist, aus. Vergewissern Sie sich, dass sich das Netzkabel außerhalb des Arbeitsbereichs des Sägeblatts und nicht auf der Schneidelinie befindet. Schalten Sie die Säge ein und beginnen Sie sie das Sägeblatt in das zu bearbeitende Werkstück zu führen. Üben Sie nur so viel Druck aus, der dem Sägeblatt zum Sägen ausreicht und die Säge stabil bleibt.

WARNUNG: Sie dürfen die Säge nicht überlasten, anderenfalls kann die sie überhitzen und das Sägeblatt kaputtgehen.

Um eine maximale Leistungsfähigkeit und hohe Schnittqualität zu erreichen, verwenden Sie Sägeblätter, die dem zu bearbeitenden Material angemessen sind.

PENDELHUB

Der Pendelhub der Stichsäge sichert eine maximale Leistungsfähigkeit beim Schneiden, eine Verminderung der Reibung und der davon entstehenden Erhitzung, und erleichtert das Trennen von den Spänen. Bei der Arbeit mit dem Pendelhub geht das Sägeblatt bei seinem Lauf nach oben in das Werkstück ein, bei seinem Lauf nach unten berührt das Sägeblatt das Werkstück nicht. Das Einschalten und die Regelung werden durch das Drehen des Hebels (8) bewirkt.

- Beim Schneiden mit einer höheren Geschwindigkeit in weichem Material setzen Sie den Hebel des Reglers in eine Stellung mit einem höheren Wert.
- Beim Schneiden in härterem Material setzen Sie den Hebel des Reglers in die Stellung ohne Pendelhub (0).

GERADLINIGES SCHNEIDEN

Sie können einen geradlinigen Schnitt ausführen, indem Sie die Basisplatte der Säge an einer Leiste oder einem Lineal entlang führen, welches vorher mit Hilfe einer Klemme am Werkstück befestigt wurde. Führen Sie den geradlinigen Schnitt nur in die eine Richtung aus, unterbrechen Sie den Schnitt nicht in der Mitte, um ihn von der Gegenseite zu beenden.

FORMSCHNEIDEN

Das Formschneiden wird durchgeführt, indem die Schneiderichtung durch den Druck auf dem Handgriff kontrolliert wird.

WARNUNG: Ein zu großer Seitendruck auf dem Sägeblatt kann zu seinem Bruch führen oder das Werkstück beschädigen.

SCHRÄGSCHNEIDEN

Der Neigungswinkel beim Schrägschneiden kann von 0° bis 45° nach links und

3. ARBEITSHINWEISE

rechts reguliert werden. Die Neigungswinkel beim Schrägschneiden, in Intervallen von 15°, sind auf der Skala (6) auf beiden Seiten der Basisplatte (5) bezeichnet. Die Einstellung von Zwischenstellungen des Schneidewinkels ist möglich, indem man einen Winkelmesser benutzt. In diesem Fall wird der Winkel nur mit den Schrauben fixiert.

Einstellung des Winkels

- Lockern Sie die Schrauben, die die Basisplatte festhalten, mit Hilfe des mitgelieferten Inbusschlüssels, bis sich die Basisplatte bewegen lässt.
- Schieben Sie die Basisplatte vorsichtig nach vorn, um sie vom Motorgehäuse zu lösen.
- Richten Sie den Schlitz, der dem gewählten Winkel auf der Basisplatte entspricht, mit dem Motorgehäusekante aus.
- Nachdem Sie den notwendigen Winkel eingestellt haben, schieben Sie die Basisplatte zurück bis der Fixierzahn des Motorgehäuses mit dem entsprechenden Schlitz auf der hinteren Seite der Basisplatte ausgerichtet ist.
- Ziehen Sie die Schrauben, die die Basisplatte festhalten, mit Hilfe der Inbusschlüssel fest, um die Basisplatte zu fixieren.

EINSTECHSCHNEIDEN

WARNUNG: Um die Kontrolle nicht zu verlieren, das Sägeblatt nicht zu brechen oder das zu bearbeitende Werkstück nicht zu beschädigen, immer mit hoher Aufmerksamkeit beim Einstechschneiden arbeiten. Ein Einstechschneiden in andere Materialien, außer Holz, wird nicht empfohlen.

- Zeichnen Sie eine gut sichtbare Schnittlinie auf das Werkstück.
- Stellen Sie einen Schneidewinkel von 0° ein.
- Neigen Sie die Säge nach vorne so, dass sie auf dem vorderen Teil der Basisplatte liegt und beim Einschalten der Säge das Sägeblatt das zu bearbeitende Werkstück nicht berührt.
- Vergewissern Sie sich, dass sich das Sägeblatt im Schneidebereich befindet.
- Schalten Sie die Säge auf hohe Geschwindigkeit ein und schieben Sie langsam das Sägeblatt zu dem Werkstück vor, bis es sich in das Holz einschneidet.
- Führen Sie das Sägeblatt weiter im Werkstück herunter bis die Basisplatte auf der Werkstückoberfläche liegt, danach führen Sie die Säge der gezeichneten Schneidelinie entlang, um den Schnitt zu beenden.

SCHNEIDEN VON METALLEN

Mit dieser Säge können Sie verschiedene Metalle schneiden. Achten Sie darauf, dass Sie das Sägeblatt nicht drehen oder biegen. Üben Sie keinen zu starken Druck aus. Wenn das Sägeblatt zu stark vibriert, wechseln Sie es mit einem anderen, das kleinere Sägezähne hat und passend für das zu bearbeitende Material oder für die durchgeführte Arbeit ist, oder stellen Sie eine höhere Geschwindigkeit ein. Wenn das Sägeblatt zu heiß wird, müssen Sie mit einer niedrigeren Geschwindigkeit arbeiten. Wenn die Sägezähne beim Schneiden von weichen Metallen, z.B. Aluminium, verstopft werden, müssen Sie ein Sägeblatt mit größeren Sägezähnen verwenden oder mit einer niedrigeren Geschwindigkeit arbeiten.

3. ARBEITSHINWEISE

Beim Schneiden von Metallen empfehlen wir, dass die Schneidelinie mit Fett geschmiert wird. Das wird die Leistungsfähigkeit erhöhen, das Sägeblatt kühlen und sein Leben verlängern. Ziehen Sie das zu bearbeitende Werkstück mit einem Schraubstock fest und schneiden Sie so nah wie möglich an der Stelle, wo es festgezogen ist, um Vibrationen im Werkstück zu vermeiden.

Beim Schneiden von Rohren und Winkelprofilen halten Sie das Werkstück mit einem Schraubstock fest und schneiden Sie möglichst nah an den Schraubstockbacken. Beim Sägen von Dünoblech stellen Sie das Blech zwischen zwei Unterlagen aus Span- oder Sperrholzplatten, die mit Klemmen festgehalten sind, um Vibrationen und einen Verzug der beim Sägen entstandenen Linie zu vermeiden. So werden Sie eine saubere und glatte Schnittlinie bekommen. Setzen Sie die Schablone, mit deren Hilfe Sie schneiden werden, auf die obere Platte.

WICHTIG: Beim Schneiden von Metallen müssen Sie den sichtbaren Teil des Sägeblatthalters mit einem mit Öl getränktem Lappen regelmäßig saubermachen, um ihn von Metallspänen zu reinigen. Schmeißen Sie den Lappen nach der Arbeit weg, um ein Brandrisiko zu vermeiden.

STAUBFREIER SCHNITT

Die Säge wird mit einem Staubabsaugeinsatz (9) geliefert, der auf dem Gehäuse montiert wird. Der Staubabsaugeinsatz bewirkt eine Luftabsaugung um das Sägeblatt herum bei, indem Staub und Späne von der Schneidelinie abgesaugt werden und so eine bessere Sicht des Anwenders gewährleistet.

MONTAGE

Ziehen Sie den Stecker der Säge aus der Steckdose heraus.

WARNUNG: Wenn die Säge an das Versorgungsnetz angeschlossen bleibt, kann sie unabsichtlich betätigt werden, was eine Voraussetzung für einen Unfall ist. Befestigen Sie den Staubabsaugeinsatz auf dem Gehäuse.

Schließen Sie den Staubabsaugeinsatz an ein Staubsaugsystem oder einen Staubsauger an.

DEMONTAGE

Ziehen Sie den Stecker der Säge aus der Steckdose heraus.

WARNUNG: Wenn die Säge an das Versorgungsnetz angeschlossen bleibt, kann sie unabsichtlich betätigt werden, was eine Voraussetzung für einen Unfall ist. Ziehen Sie den Staubabsaugeinsatz heraus und demontieren Sie ihn.

ARBEIT MIT EINER PARALLELEN SCHNITTFÜHRUNG

Die Säge wird mit einer parallelen Schnitfführung (11) geliefert, die sehr nützlich bei Quer- und Längsquerschnitten ist.

MONTAGE

- Ziehen Sie den Stecker der Säge aus der Steckdose heraus.
- Schieben Sie den Arm der parallelen Schnitfführung durch die beiden Öffnungen in der Basisplatte der Säge.
- Stellen Sie mit der Führung den notwendigen Abstand von der Werkstückkante ein und fixieren Sie ihn mit den Schrauben (12).

4. WARTUNG

WARTUNG

WARNUNG: Schalten Sie immer das Elektrowerkzeug aus und ziehen Sie den Stecker aus der Steckdose heraus vor jeder Einstellung oder Wartung.

SCHMIERUNG

Alle Lager dieses Elektrowerkzeug sind im Werk mit einem hochwertigen Fett geschmiert, welches für die Lebensdauer der Säge ausreicht. Eine zusätzliche Schmierung ist nicht nötig.

WECHSELN DER KOHLENBÜRSTEN

Das Elektrowerkzeug besitzt selbstausschaltende Kohlenbürsten.

Wenn die Kohlenbürsten die Verschleißgrenze erreichen, müssen beide Kohlenbürsten gleichzeitig durch neue Original-Kohlenbürsten in einer Kundendienststelle für eine Garantie- und Außergarantiewartung von SPARKY gewechselt werden.

ALLGEMEINE PRÜFUNG

Überprüfen Sie regelmäßig alle Befestigungselemente – sie müssen gut festgezogen sein. Falls sich einer der Schrauben gelockert hat ziehen Sie sie sofort fest, um eventuelle gefährliche Situationen zu vermeiden.

Falls das Netzkabel beschädigt ist, muss es vom Hersteller oder seinem Service-spezialisten gewechselt werden, um die Gefahren beim Wechseln zu vermeiden.

REINIGUNG

Für einen sicheren Betrieb halten Sie immer die Maschine und die Lüftungsöffnungen sauber.

Überprüfen Sie regelmäßig, ob es im Lüftungsgitter neben dem Motor und um den Umschalter Staub oder Fremdkörper gibt. Eine weiche Bürste verwenden, um den Staub zu beseitigen. Um während der Reinigung ihre Augen zu schützen sollten Sie eine Schutzbrille tragen.

Wenn das Gehäuse der Maschine gereinigt werden muss, können Sie es mit einem weichen feuchten Tuch und einer Spülmittellösung reinigen.

WARNUNG: Die Verwendung von Spiritus, Benzin oder anderen Lösungsmitteln ist untersagt. Sie dürfen nie ätzende Mittel für die Reinigung der Kunststoffteile verwenden.

WARNUNG: Das Eindringen von Wasser in die Maschine ist nicht ratsam.

BEMERKUNG: Beim Schneiden von Teilen aus Glasfaser, Wandverkleidungen oder Gips unterliegen die Elektrowerkzeuge einer beschleunigten Alterung und es ist möglich, dass sie vorzeitig versagen. Die Späne und die während der Arbeit entstandenen Teilchen bewirken eine Belastung für die Lager, Kohlenbürsten, den Kollektor u.a. Die andauernde Bearbeitung dieser Materialien wird nicht empfohlen. Beim Schneiden von Materialien dieser Art ist es sehr wichtig, dass die Säge oft mit Druckluft gereinigt wird.

WICHTIG! Um eine sichere Arbeit mit dem Elektrowerkzeug und seine Zuverlässigkeit zu gewährleisten, müssen alle Tätigkeiten für seine Reparatur, Wartung und Einstellung (einschließlich die Überprüfung und das Wechseln von den Kohlenbürsten) von autorisierten Kundendienststellen von STATUS und nur mit Originalersatzteilen durchgeführt werden.

4. TECHNISCHE DATEN

TECHNISCH DATEN

| | |
|--------------------------|----------------|
| Modell | JS550 |
| Spannung/Frequenz | 230V~50HZ |
| Nennaufnahme | 570 W |
| Leerlaufgeschwindigkeit | 800 - 3000/min |
| Lauf/Hub | 19 mm |
| Einstellung der Drehzahl | 6 |
| Blade | T |
| Zulssige Schnitttiefe: | |
| In Holz | 65 mm |
| In Stahl | 6 mm |
| Pendel-Einstellung | 4 |
| Neigungswinkel der Säge | 0-45° |
| Gewicht | 1,9 kg |
| Schutzklasse (EN 62841) | II |

Im Lieferumfang enthaltenes Zubehör: Sgeblatt, Staubabsaugesatz, Parallele Schnittführung, Sechskantenschlüssel.

Geräuschemissionswerte (Messwerte ermittelt entsprechend EN 62841):

| | |
|--|------------|
| A-abgewogener Schalldruckpegel L_{pA} | 80.9 dB(A) |
| Unbestimmtheit K_{pA} | 3.0 dB |
| A- abgewogener Schalldruckpegel L_{WA} | 91.9 dB(A) |
| Unbestimmtheit K_{WA} | 3.0 dB |

Schwingungsemissionswerte

| | |
|--|------------------------|
| Messwert der geschaffenen Schwingungen a_h | 4,351 m/s ² |
| Unbestimmtheit K | 1.5 m/s ² |

KONFORMITÄTSERKLÄRUNG

Hiermit versichern wir unsere persönliche Haftung, dass dieses Erzeugnis allen einschlägigen Bestimmungen folgender Richtlinien und entsprechender harmonisierten Standards entspricht:

2006/42/EC, 2014/30/EU

And are manufactured in accordance with the following standards or standardised documents: EN55014-1:2017, EN 55014-2:2015, EN 61000-3-2:2014, EN 61000-3-3:2013, EN 62841-1:2015+AC:15, EN 62841-2-11:2016, AfPS GS 2014:01.

Die technischen Unterlagen werden bei STATUS ITALIA S.R.L., via Aldo Moro, 14/A, 36060 - Pianeze (VI), ITALIEN, aufbewahrt


Caron Giacinto
Direktor
STATUS ITALIA S.R.L.

1. AVVERTENZE DI SICUREZZA

AVVERTENZE DI SICUREZZA

ATTENZIONE! Leggere tutte le istruzioni d'uso e le avvertenze di sicurezza. L'inosservanza delle istruzioni seguenti può causare folgorazioni, incendi e/o gravi danni a persone. Conservare con cura queste istruzioni.

Il termine "utensile" in tutte le avvertenze successive si riferisce sia agli utensili collegati alla rete elettrica (con cavo di alimentazione) che agli utensili a batteria (senza cavo).

AREA DI LAVORO

- **Mantenere l'area di lavoro pulita e ben illuminata.** Le zone buie ed ingombre di oggetti favoriscono incidenti.
- **Non utilizzare l'utensile in presenza di liquidi infiammabili, gas o polvere.** Le scintille generate potrebbero infiammare polvere e/o vapore.
- **Tenere a distanza bambini e terzi durante il funzionamento.** Per una distrazione potreste perdere il controllo dell'utensile.

SICUREZZA ELETTRICA

- **La spina dell'utensile deve essere adatta alla presa utilizzata.** Non modificare la spina in alcun modo. Non utilizzare adattatori con gli utensili collegati a terra. L'impiego di una spina integra ed una presa adatta riduce i rischi di folgorazione.
- **Evitare di toccare con il corpo le superfici collegate a terra quali tubi, radiatori, forni e frigoriferi.** Il rischio di folgorazione aumenta se il corpo è collegato a terra.
- **Non esporre l'utensile alla pioggia e all'umidità.** La penetrazione d'acqua nell'utensile aumenta il rischio di folgorazione.
- **Non utilizzare il cavo per scopi diversi da quello previsto. Non utilizzare il cavo per trasportare o tirare l'utensile, oppure per staccare la spina dalla presa. Tenere il cavo lontano da fonti di calore, olio, parti appuntite o in movimento.** Cavi danneggiati o attorcigliati aumentano il rischio di folgorazione.
- **Se l'utensile viene utilizzato all'aperto, usare una prolunga adatta all'uso esterno.** L'impiego di una prolunga da esterno riduce il rischio di folgorazione.
- **Se il lavoro in un ambiente umido è strettamente necessario, utilizzare una presa protetta da dispositivo a corrente residua.** Ciò riduce i rischi di scosse.

SICUREZZA PERSONALE

- **L'uso di elettroutensili richiede attenzione e buon senso. Non utilizzare gli utensili se si è stanchi o sotto l'effetto di droghe, alcol o medicinali.** Una breve disattenzione può provocare gravi danni alle persone.
- **Munirsi di indumenti e dispositivi di protezione. Indossare sempre occhiali da lavoro.** L'uso di dispositivi di protezione tra cui mascherina antipolvere, scarpe antiscivolo, casco e protezioni per l'udito riduce il rischio di danni a persone.
- **Evitare l'accensione accidentale. Accertarsi che l'interruttore sia in posizione "OFF" prima di inserire la spina.** Se si trasportano gli utensili con il dito sull'interruttore o si inserisce la spina nella presa con l'interruttore in posizione "ON" aumenta il rischio di incidenti.

1. AVVERTENZE DI SICUREZZA

- **Togliere tutte le chiavi di regolazione prima di accendere l'utensile.** Una chiave lasciata inserita in una parte rotante di un utensile può provocare danni a persone.
- **Non utilizzare l'utensile in condizioni estreme. Mantenere sempre l'equilibrio ed i piedi ben appoggiati a terra.** Questo consente un maggior controllo dell'utensile in caso di imprevisti.
- **Indossare un abbigliamento adeguato. Non indossare abiti svolazzanti o gioielli. Tenere capelli, vestiti, e guanti lontani dalle parti in movimento.** Abiti svolazzanti, gioielli o capelli potrebbero impigliarsi nelle parti in movimento.
- **In presenza di apparecchiature per il collegamento a dispositivi di aspirazione e raccolta delle polveri, accertarsi che essi siano collegati ed utilizzarli correttamente.** L'uso di queste apparecchiature può ridurre i rischi causati dalla polvere.

USO E MANUTENZIONE DELL'UTENSILE

- **Utilizzare l'utensile più adatto per il lavoro da svolgere.** L'impiego dell'utensile giusto migliora la qualità del lavoro e la sicurezza.
- **Non utilizzare l'utensile se non è possibile accenderlo e spegnerlo con l'apposito interruttore.** Gli utensili che non possono essere controllati con l'interruttore sono pericolosi e devono essere riparati.
- **Staccare la spina dall'alimentazione di corrente prima di eseguire regolazioni, cambiare accessori o riporre l'utensile.** Osservando queste precauzioni si riduce il rischio di accensione accidentale dell'utensile.
- **Riporre gli utensili non utilizzati fuori dalla portata dei bambini e non consentirne l'utilizzo a persone che non conoscono l'utensile o queste istruzioni.** Nelle mani di persone inesperte gli utensili possono diventare pericolosi.
- **Sottoporre l'utensile a manutenzione. Verificare il corretto allineamento di tutte le parti mobili, controllare che non siano grippate e che non vi siano rotture o altri guasti che potrebbero influire sul funzionamento dell'utensile.** Far riparare gli utensili danneggiati prima di riutilizzarli. Molti incidenti sono causati da utensili in pessime condizioni.
- **Tenere le punte e gli strumenti da taglio puliti ed affilati.** Se sottoposti ad una regolare manutenzione e pulizia consentono di lavorare in modo più preciso e sono maggiormente controllabili.
- **Utilizzare l'utensile, gli accessori, gli attrezzi etc. secondo quanto indicato in queste istruzioni nonché tenendo in considerazione le condizioni di lavoro e il lavoro da eseguire.** L'impiego di utensili per scopi diversi da quelli per cui sono stati progettati può dare origine a situazioni pericolose.

MANUTENZIONE

- **Far riparare l'utensile da personale qualificato che utilizzi solo parti di ricambio originali.** In caso contrario la sicurezza dell'utensile potrebbe risultare compromessa.

2. ULTERIORI NORME DI SICUREZZA

ULTERIORI NORME DI SICUREZZA

Indossare sempre occhiali da lavoro.

Indossare sempre cuffie antirumore. L'eccessiva rumorosità può causare la perdita dell'udito.

Indossare sempre una mascherina antipolvere ed utilizzare dispositivi per aspirare polvere e trucioli. Alcuni materiali potrebbero presentare componenti tossiche.

• **Quando si eseguono lavori in cui vi è pericolo che l'accessorio impiegato possa arrivare a toccare cavi elettrici nascosti oppure anche il cavo elettrico della macchina stessa, tenere l'elettrotensile afferrandolo sempre alle superfici di impugnatura isolate.** Un contatto con un cavo elettrico mette sotto tensione anche le parti in metallo dell'elettrotensile e provoca quindi una scossa elettrica.

- Non trattare materiali contenenti asbesto, in quanto considerato cancerogeno.
- Si consiglia l'uso di guanti da lavoro.

AVVERTENZA: Prima di iniziare il lavoro assicurarsi sempre che il voltaggio della presa corrisponda a quello indicato sull'etichetta dell'utensile.

- Una fonte di corrente con voltaggio superiore a quello previsto per la macchina può causare danni all'utente e/o alla macchina stessa.
- Se in dubbio, non inserire la spina nella presa.
- Operare con un voltaggio inferiore rispetto a quello previsto potrebbe danneggiare il motore della macchina.
- Svolgere il cavo o la prolunga per evitare un eventuale surriscaldamento.
- In caso sia necessario l'uso di una prolunga, assicurarsi che sia intatta e che l'ampereaggio della stessa sia corretto.

AVVERTENZA: Prima di sostituire qualsiasi accessorio o eseguire operazioni di manutenzione accertarsi sempre che l'utensile sia spento e la spina staccata dalla presa di corrente.

- Se possibile fissare sempre il pezzo da forare con morsetti o con una morsa a vite.
- Si consiglia di afferrare l'utensile con entrambe le mani e di assumere una stabile posizione operativa, ciò consente di guidare l'utensile con maggiore sicurezza.
- Non utilizzare il seghetto se il paratrucioli non è fissato correttamente.
- Tenere le mani ed altre parti del corpo lontane dall'area di taglio. Il contatto con la lama potrebbe causare danni all'utente.
- Avvicinare la macchina al pezzo da lavorare solo a macchina già avviata.
- A lavoro terminato, spegnere la macchina ed estrarre la lama dal pezzo da lavorare solo una volta completamente arrestata.
- Non sovraccaricare la macchina, operare una pressione moderata. Una pressione eccessiva genera un sovraccarico e quindi una riduzione della velocità, causando possibili danni al motore.
- Rimuovere eventuali viti o chiodi prima di tagliare nel legno.
- Non utilizzare mai la macchina se il cavo risulta danneggiato. Non afferrare il cavo e non utilizzarlo per staccare la spina dalla presa. Cavi danneggiati aumentano il

3. USO DELLA MACCHINA

rischio di scosse.

- Controllare sempre che nelle pareti e nei soffitti non vi siano cavi elettrici, tubi nascosti, etc. A tale scopo è possibile acquistare un metal detector in tutti i negozi fai da te. Il contatto con condutture elettriche può provocare incendi o scosse. Danneggiare una conduttura di gas potrebbe causare esplosioni. La rottura di una conduttura d'acqua potrebbe provocare danni a cose o scosse.
- Mantenere l'area di lavoro pulita e ben illuminata. Zone buie e ingombre di oggetti favoriscono incidenti.
- Spegnerlo sempre il seghetto prima di appoggiarlo.
- Non utilizzare la macchina per scopi diversi da quelli indicati in queste istruzioni. L'uso per qualsiasi altra finalità sarà considerato uso improprio. In tal caso sarà l'utente e non l'Azienda produttrice ad essere ritenuto responsabile di eventuali danni o lesioni.
- Per un utilizzo corretto di questo elettroutensile è necessario osservare le avvertenze di sicurezza, le norme supplementari e le istruzioni d'uso fornite in questo opuscolo. Tutti gli utenti della macchina devono aver letto queste istruzioni e devono essere a conoscenza degli eventuali rischi. Bambini e persone di corporatura debole non devono maneggiare l'utensile. Bambini nelle vicinanze dell'area di lavoro devono essere tenuti sotto stretto controllo. È assolutamente necessario attenersi alle disposizioni di prevenzione dagli infortuni, così come alle norme di sicurezza sul lavoro vigenti nella sua area.
- L'azienda produttrice non è responsabile per eventuali modifiche apportate all'utensile da parte dell'utente o per danni causati da tali modifiche.
- Non esporre l'utensile alla pioggia o all'umidità e non utilizzarlo in presenza di liquidi infiammabili, gas o polveri.

USO DELLA MACCHINA

ELEMENTI DELLA MACCHINA

Prima di utilizzare la macchina è bene conoscere le sue particolarità e le avvertenze di sicurezza. Usare l'utensile e gli accessori solo per gli scopi indicati in queste istruzioni. L'uso per qualsiasi altra finalità è severamente vietato.

- | | |
|---|---|
| 1. Interruttore ON/OFF | 9. Attacco per aspirapolvere |
| 2. Rondella di regolazione della velocità | 10. Asta di spinta |
| 3. Interruttore per inserimento fisso | 11. Guida parallela |
| 4. Paratrucioli per aspirazione | 12. Vite di fissaggio della guida parallela |
| 5. Base | 13. Frontalino di protezione |
| 6. Scala angolo obliquo | 14. Chiave esagonale |
| 7. Lama | 15. Pulsante per cambio rapido della lama |
| 8. Interruttore per azione oscillante | |

3. USO DELLA MACCHINA

PRIMA DELLA MESSA IN FUNZIONE

Prima dell'uso accertarsi di quanto segue:

- che la tensione di alimentazione corrisponda ai valori indicati sulla targhetta dell'utensile.
- che l'interruttore ON/OFF non sia premuto. Il martello deve essere collegato all'alimentazione elettrica solo se l'interruttore non è premuto.
- che il cavo elettrico e la spina siano in perfetto stato. Per motivi di sicurezza i cavi elettrici danneggiati devono essere sostituiti solo dall'azienda produttrice o dai centri di servizio autorizzati.
- che la lama sia correttamente fissata.

ATTENZIONE: Prima di sostituire qualsiasi accessorio o eseguire operazioni di manutenzione accertarsi sempre che l'utensile sia spento e la spina staccata dalla presa di corrente.

ACCENSIONE/SPEGNIMENTO

Funzionamento per breve tempo

Accensione: premere l'interruttore ON/OFF (1).

Spegnimento: rilasciare l'interruttore ON/OFF (1).

Funzionamento continuo

Accensione: premere l'interruttore ON/OFF (1) e contemporaneamente premere l'interruttore per inserimento fisso (3).

Spegnimento: premere nuovamente l'interruttore ON/OFF (1) e rilasciarlo subito. In caso di interruzione della tensione della rete d'alimentazione a interruttore per inserimento fisso (3) inserito, rilasciarlo prima di riavviare la corrente. Non inserire la funzione continua per lavori che richiedono l'arresto immediato della lama.

REGOLAZIONE ELETTRONICA DEL NUMERO DI CORSE

Rondella di regolazione della velocità

La velocità dell'utensile può essere regolata all'infinito tra gli 800 ed i 3.000 colpi al minuto girando la rondella di regolazione.

Maggiore velocità si ottiene quando la manopola viene girata nella direzione del numero 6.

Velocità inferiore si ottiene quando viene girata nella direzione del numero 1.

Utilizzare il numero delle corse adeguato per il materiale da lavorare. Le seguenti linee guida possono aiutare a stabilire la velocità corretta per le diverse operazioni:

- Un numero di corse BASSO è adatto per iniziare le operazioni di taglio.
- Si consiglia un numero di corse MEDIO per il taglio di metalli duri, plastica e laminati.
- Una velocità ELEVATA garantisce i migliori risultati nel legno, alluminio, rame e ottone.

Controllare che la velocità sia adatta facendo una prova su una parte del materiale.

MONTAGGIO E CAMBIO DELLA LAMA

ATTENZIONE: Prima di sostituire qualsiasi accessorio o eseguire operazioni di manutenzione accertarsi sempre che l'utensile sia spento e la spina staccata dalla presa di corrente.

- Rimuovere il paratrucoli (4).
- Inserire la lama (7) nell'asta di spinta (10).
- Premere il pulsante per il cambio rapido della lama (15).
- Estrarre la lama (7).

INSERIMENTO DELLA LAMA

ATTENZIONE: Prima di sostituire qualsiasi accessorio o eseguire operazioni di manutenzione accertarsi sempre che l'utensile sia spento e la spina staccata dalla presa di corrente.

- Inserire la lama fino allo scatto in posizione, indicante che l'attacco della lama è fissato correttamente.
- Per sicurezza accertarsi che il pulsante per il cambio rapido (15) non sia premuto.
- Riposizionare il paratrucoli (4).

ATTENZIONE: Non utilizzare il seghetto se il paratrucoli (4) non è fissato.

OPERAZIONI DI TAGLIO

Poggiare la parte anteriore della base sul pezzo da lavorare e allineare la lama (7) vicino alla linea di taglio desiderata. Assicurarsi che il cavo sia lontano dall'arco di azione della lama. Accendere la macchina e condurla lungo la linea di taglio.

Esercitare una leggera pressione per garantire un funzionamento costante.

AVVERTENZA: Non forzare troppo la lama onde evitare che il motore si surriscaldi o che la lama si rompa. Per una massima efficienza ed un taglio preciso utilizzare le lame adatte a ciascun tipo di lavoro e/o di materiale.

REGOLAZIONE DELL'AZIONE OSCILLANTE

L'oscillazione della lama permette un'ottima prestazione di taglio, riducendo il rischio di attrito e di surriscaldamento del motore nonché facilitando l'espulsione dei trucioli. Ad oscillazione attivata la lama taglia il materiale in fase di corsa in salita e si distacca in fase di discesa.

L'oscillazione può essere regolata ruotando l'apposito interruttore (8).

- Si consiglia un'oscillazione alta per un taglio veloce di materiali morbidi.
- Per il taglio di materiali duri è consigliabile disinnescare l'azione oscillante (apposito interruttore in posizione "0").

TAGLIO DIRITTO Il taglio diritto si ottiene facendo aderire la base ad un listello o ad un profilo diritto fissato sul materiale da lavorare. Tagliare solo in una direzione. Non tagliare per metà in una direzione per poi concludere il lavoro tagliando dalla parte opposta.

TAGLIO CURVILINEO Il taglio curvilineo si ottiene esercitando pressione sull'impugnatura ed indirizzando la macchina.

ATTENZIONE: Un'eccessiva pressione laterale sulla lama può causare una rottura della stessa o danni al materiale da lavorare.

TAGLIO OBLIQUO Il taglio obliquo può essere impostato da 0° a 45° verso destra o sinistra. Sull'apposita scala (6) sono poste delle tacche per scatti di 15°.

È possibile regolare angoli obliqui intermedi utilizzando un goniometro. In tal caso l'angolo viene fissato soltanto mediante le viti.

Impostazione dell'angolo obliquo

- Allentare le viti con la chiave esagonale e smuovere la base.
- Far scorrere la base leggermente in avanti così da staccarla dalle ganasce della cassa ingranaggi.
- Allineare la tacca sulla base sull'angolo desiderato con il profilo sulla cassa ingranaggi.
- Spingere la base all'indietro e fare aderire nelle ganasce della cassa ingranaggi.
- Bloccare la base fissando le viti.

TAGLIO DALL'ALTO IN LEGNO

- Tracciare la linea di taglio sul materiale.
- Posizionare l'angolo di taglio a 0°.
- Inclinare la macchina in avanti così che posi sulla parte anteriore della base e che la lama non entri in contatto con il materiale quando la macchina viene accesa.
- Assicurarsi che la lama sia vicina alla zona da tagliare.
- Accendere la macchina a tutta velocità ed avvicinare lentamente la lama al pezzo fino a quando la lama non vi entra.
- Procedere inserendo la lama fino a quanto la base non poggia sulla superficie del pezzo, dunque far scorrere la macchina e completare il lavoro.

TAGLIO IN LAMIERE DI METALLO

Questo seghetto è adatto al lavoro con diversi tipi di metallo. Prestare attenzione a non attorcigliare o piegare la lama. Non esercitare eccessiva pressione. Se la lama ticchetta o vibra in maniera eccessiva, si consiglia di cambiare la lama ed utilizzarne una a denti più fini o aumentare la velocità. In caso la lama si surriscaldi diminuire la velocità.

Se i denti rimangono bloccati o trattengono materiale (in particolare alluminio) usare una lama a denti grossi o ridurre la velocità. Si consiglia di applicare dell'olio lungo la linea da taglio per una maggiore precisione, per garantire una lunga vita alla lama. Fissare con forza il materiale ed effettuare il taglio nelle vicinanze del punto di fissaggio onde evitare che il pezzo da lavorare vibri.

Per il taglio di tubi e/o condutture fissare il pezzo da lavorare in una morsa e tagliare nei pressi della stessa. Per il taglio di lamiere si consiglia di posizionarle tra due pannelli di truciolato o legno condensato e fissare gli strati così da evitare che la lamiera vibri o si strappi e quindi effettuando un taglio preciso e uniforme. In questo caso è necessario tracciare la linea di taglio sul pannello superiore.

IMPORTANTE: Se si effettuano lavori di taglio nel metallo si consiglia di pulire frequentemente la parte sporgente della lama con uno panno con dell'olio.

A lavoro terminato disperdere il panno con attenzione in quanto potrebbe generare incendi.

ASPIRAZIONE DEI TRUCIOLI

La macchina è fornita in dotazione con un attacco per aspirapolvere (9), posizionabile sul corpo della macchina. Tale attacco facilita l'aspirazione dei trucioli

4. CARATTERISTICHE TECNICHE

formatisi attorno alla lama e alla linea di taglio, così da permettere una maggiore precisione.

Montaggio attacco per aspirapolvere:

- Staccare la spina dalla presa di corrente.

ATTENZIONE: A macchina connessa alla presa di corrente aumenta il rischio di avvii accidentali e quindi di gravi danni a persone e/o cose.

- Applicare l'attacco nel corpo della macchina
- Collegarlo ad un dispositivo di aspirazione o ad un aspirapolvere.

Smontaggio attacco per aspirapolvere:

- Staccare la spina dalla presa di corrente.

ATTENZIONE: A macchina connessa alla presa di corrente aumenta il rischio di avvii accidentali e quindi di gravi danni a persone e/o cose.

- Staccare l'attacco.

GUIDA PARALLELA

Il seghetto è fornito con in dotazione una guida parallela (11), utile per tagli trasversali e/o orizzontali.

Montaggio guida parallela:

- Staccare la spina dalla presa di corrente.

ATTENZIONE: A macchina connessa alla presa di corrente aumenta il rischio di avvii accidentali e quindi di gravi danni a persone e/o cose.

- Inserire la guida (11) nei due passanti posti sulla base.
- Regolare la guida alla distanza desiderata dal bordo del materiale e fissarla mediante le apposite viti (12).

CARATTERISTICHE TECNICHE

| | |
|---------------------------------|----------------|
| Modello | JS550 |
| Potenza assorbita | 570 W |
| Corse a vuoto | 800 - 3000/min |
| Altezza della corsa | 19mm |
| Profondità max di taglio | |
| legno | 65mm |
| acciaio | 6mm |
| Regolazione angolo della base | 0-45° |
| Peso | 1,9kg |
| Classe di protezione (EN 62841) | II |

Accessori in dotazione: Guida parallela, attacco per aspirapolvere, chiave esagonale.

INFORMAZIONI SULLA RUMOROSITÀ E SULLA VIBRAZIONE Valori di emissione acustica (determinati secondo la normativa EN 62841)

| | |
|---|------------|
| Misurazione A del livello di pressione acustica LpA | 80.9 dB(A) |
| Incertezza KpA | 3.0 dB |
| Misurazione A del livello di potenza acustica LwA | 91.9 dB(A) |
| Incertezza KwA | 3.0 dB |

5. MANUTENZIONE

Utilizzare cuffie di protezione!

Livello di vibrazione

Valori di vibrazione totale (somma dei vettori dei tre assi)

| | |
|-----------------------------|------------------------|
| Livello di vibrazione a_h | 4,351 m/s ² |
| Incertezza K | 1.5 m/s ² |

Il livello di vibrazione sopra indicato è stato definito seguendo il metodo di misurazione riportato nella normativa EN 62841 e può essere utilizzato per confrontare tra di loro diversi elettroutensili. Inoltre è adatto per effettuare una stima provvisoria del livello di esposizione. Il livello di vibrazione si riferisce alle modalità d'uso principali dell'utensile. Tuttavia, se utilizzato per scopi diversi da quelli previsti, con punte poco stabili o senza adeguata manutenzione, il livello di vibrazione può variare. Ciò può aumentare sensibilmente il livello di esposizione durante il lavoro. Per una precisa definizione del livello di esposizione dovrebbe essere preso in considerazione anche l'arco di tempo in cui l'utensile è spento o funzionante ma non in uso. Ciò può ridurre sostanzialmente il livello di esposizione durante il lavoro. Utilizzare l'utensile e gli accessori con cura, e maneggiarlo mantenendo le mani calde così da ridurre gli effetti dannosi dell'elevato livello di vibrazioni. Polvere derivante da materiali come vernici contenenti particelle di piombo, alcuni tipi di legno, minerali e metallo potrebbe essere nociva. Il contatto o l'inalazione di tali polveri potrebbe causare reazioni allergiche e/o problemi al sistema respiratorio dell'utente o di terzi. Talune tipologie di polveri, come ad esempio quella derivante da legno di quercia o faggio, soprattutto se trattati con additivi e conservanti, sono classificate come cancerogene. Si consiglia di fare trattare materiali contenenti asbesto solo a persone esperte.

- Se possibile collegare sempre la macchina ad un dispositivo di aspirazione.
- Per garantire un'area di lavoro pulita utilizzare un aspirapolvere per trucioli e/o minerali insieme all'utensile.
- Tenere l'area di lavoro ben pulita e ventilata.
- Si consiglia l'uso di una mascherina o filtro di classe P2.

Osservare le direttive nazionali relative al materiale da lavorare.

MANUTENZIONE

ATTENZIONE: Accertarsi che l'utensile sia spento e che la spina sia disinserita prima di effettuare qualsiasi controllo di manutenzione.

LUBRIFICAZIONE Tutti gli ingranaggi sono stati lubrificati alla produzione e non richiedono ulteriore lubrificazione.

SOSTITUZIONE DELLE SPAZZOLE Quando le spazzole sono usurate la macchina si spegne automaticamente. Recarsi presso un centro assistenza autorizzato STATUS e fare sostituire entrambe le spazzole.

CONTROLLI PERIODICI GENERALI Controllare regolarmente che tutte le viti siano propriamente fissate. Dopo un uso prolungato potrebbero infatti allentarsi a causa delle vibrazioni.

6. DICHIARAZIONE DI CONFORMITÀ CE

In caso sia necessario cambiare il cavo, recarsi ad un centro assistenza STATUS.

PULIZIA

Per poter garantire buone e sicure operazioni di lavoro, tenere la macchina e le aperture di ventilazione sempre pulite. Verificare regolarmente che polvere o altri corpi estranei non siano penetrati nelle aperture di ventilazione o attorno agli interruttori. Utilizzare uno spazzolino morbido per rimuovere la polvere depositatasi. Proteggere gli occhi durante la pulizia indossando occhiali da lavoro. Per pulire la macchina utilizzare un panno umido. È possibile utilizzare un leggero detersivo.

ATTENZIONE: Non utilizzare alcool, benzina o altri solventi. È sconsigliato l'uso di detersivi aggressivi per la pulizia delle parti in plastica.

ATTENZIONE: Evitare il contatto della macchina con l'acqua.

ATTENZIONE: I seghetti sono soggetti ad un usura più rapida se si utilizzano per tagliare fibre ottiche o parti in plastica. I trucioli e la polvere derivante da questi materiali sono fortemente abrasivi per ingranaggi, spazzole e interruttori.

È altamente sconsigliato un uso continuo della macchina con i suddetti materiali. Durante l'uso pulire sempre la macchina con dell'aria compressa.

IMPORTANTE! Per garantire la sicurezza e l'affidabilità dell'utensile, riparature, lavori di manutenzione ed altre regolazioni (incluso il controllo e l'eventuale sostituzione delle spazzole) devono essere effettuate da centri di assistenza STATUS autorizzati, dove vengono adoperate solo parti originali.

GARANZIA

Il periodo di garanzia per gli utensili STATUS ha validità a partire dalla data di acquisto ed è conforme alle normative europee.

Non sono coperti da garanzia danni derivanti da usura, sovraccarico o uso improprio. L'azienda produttrice assicura la sostituzione di tutte le parti non funzionanti in cui si riconoscano difetti di materiale e/o di lavorazione.

Le prestazioni di garanzia saranno erogate solo se la macchina richiesta sarà inviata in condizioni integre al rivenditore o ad un centro di assistenza, accompagnata dallo scontrino fiscale.

DICHIARAZIONE DI CONFORMITÀ CE

Con la presente dichiariamo che - **SEGHETTO ALTERNATIVO STATUS JS550** corrisponde alle seguenti direttive UE in materia nella rispettiva versione valida: 2006/42/EC, 2014/30/EU. Per garantire la conformità sono state applicate le seguenti norme armonizzate e anche le norme e disposizioni nazionali che seguono: EN55014-1:2017, EN 55014-2:2015, EN 61000-3-2:2014, EN 61000-3-3:2013, EN 62841-1:2015+AC:15, EN 62841-2-11:2016, AfPS GS 2014:01.

Il produttore è il solo responsabile della stesura della presente dichiarazione di conformità: STATUS ITALIA S.r.l., via Aldo Moro, 14/A, 36060 - Pianezze (VI), Italia



Caron Giacinto
L'Amministratore
STATUS ITALIA S.R.L.

1. ОБЩИ УКАЗАНИЯ ЗА БЕЗОПАСНОСТ

ОБЩИ УКАЗАНИЯ ЗА БЕЗОПАСНОСТ

ПРЕДУПРЕЖДЕНИЕ! Четете всички предупреждения и указания за безопасност. Неспазването на предупрежденията и указанията за безопасност може да предизвика поражение от електрически ток, пожар и/или сериозно нараняване.

Запазете всички предупреждения и указания за бъдещо ползване.

Терминът "електроинструмент" във всички описани по-долу предупреждения се отнася до вашия електроинструмент, захранван от мрежата (с шнур) и/или електроинструмент, захранван от акумулаторна батерия (без шнур).

БЕЗОПАСНОСТ НА РАБОТНОТО МЯСТО

- **Поддържайте работното място чисто и добре осветено.** Безпорядъкът и недостатъчното осветление са предпоставка за трудови злополуки.
- **Не работете с електроинструменти в експлозивни атмосфери при наличие на запалими течности, газове или прах.** Електроинструментите образуват искри, които могат да възпламенят праха или парите.
- **Дръжте децата и страничните лица на разстояние, когато работите с електроинструмент.** Разсейването може да доведе до загуба на контрол от Ваша страна.

ЕЛЕКТРИЧЕСКА БЕЗОПАСНОСТ

- **Щепселите на електроинструментите трябва да съответстват на контактите. Никога не променяйте щепсела по какъвто и да било начин. Не използвайте каквито и да са адаптерни щепсели за електроинструменти със защитно заземяване.** Употребата на непроменени щепсели и съответстващите им контакти намалява риска за поражение от електрически ток
- **Избягвайте допир на тялото до земя или до заземени повърхности, такива като тръби, радиатори, кухненски печки и хладилници.** Ако тялото ви е заземено, съществува повишен риск от поражение от електрически ток.
- **Не излагайте електроинструментите на дъжд или във влажна среда.** Проникването на вода в електроинструмента повишава риска от поражение от електрически ток.
- **Използвайте шнура по предназначение. Никога не използвайте шнура за носене на електроинструмента, опъване или изваждане на щепсела от контактното гнездо. Дръжте шнура далече от топлина, масло, остри ръбове или движещи се части.** Увредени или оплетени шнура повишават риска за поражение от електрически ток.
- **При работа с електроинструмента на открито, използвайте удължител, подходящ за работа на открито.** Използването на удължител, подходящ за работа на открито, намалява риска от поражение от електрически ток.
- **Ако работата с електроинструмента във влажна среда е неизбежна, използвайте предпазно устройство, задействано от остатъчен ток, за прекъсване на захранването.** Използването на предпазно устройство намалява риска от поражение от електрически ток.

1. ОБЩИ УКАЗАНИЯ ЗА БЕЗОПАСНОСТ

ЛИЧНА БЕЗОПАСНОСТ

- **Бъдете бдителни, работете с повишено внимание и проявявайте благоразумие, когато работите с електроинструмент. Не използвайте електроинструмента, когато сте уморени или под влияние на наркотици, алкохол или медикаменти.**
Момент на невнимание при работа с електроинструмент може да предизвика сериозна трудова злополука.
- **Използвайте лични предпазни средства. Носете винаги средства за защита на очите.** Лични предпазни средства, като маска против прах, неплъзгащи се безопасни обувки, защитен шлем или средства за защита на слуха, използвани при конкретните условия, намаляват риска от трудови злополуки.
- **Избягвайте неволно пускане. Убедете се, че прекъсвачът е в изключено положение преди включване към източник на захранване и/или акумулаторна батерия, преди да го вземете или пренасяте.** Носенето на електроинструмент с пръст върху прекъсвача или свързването към източник на захранване на електроинструмент с прекъсвач във включено положение е предпоставка за трудова злополука.
- **Отстранете всеки ключ за затягане или гаечен ключ преди включване на електроинструмента.** Ключ за затягане или гаечен ключ, прикрепен към въртяща се част на електроинструмента, може да предизвика трудова злополука.
- **Не се пресягайте. Поддържайте правилен стоеж и равновесие през цялото време.** Това позволява по-добро управление на електроинструмента при неочаквани ситуации.
- **Носете подходящо работно облекло. Не носете широки дрехи или бижута. Дръжте косите си, дрехите и ръкавиците далеч от движещи се части.** Широки дрехи, бижута или дълги коси могат да се захванат от движещи се части.
- **Ако електроинструментът е снабден с приспособления за засмукване и улавяне на прах, убедете се, че те са свързани и правилно използвани.** Използването на тези устройства може да намали свързаните с прах опасности.

ИЗПОЛЗВАНЕ И ГРИЖИ ЗА ЕЛЕКТРОИНСТРУМЕНТИТЕ

- **Не претоварвайте електроинструмента. Използвайте правилно избрания електроинструмент според приложението.**
- **Не използвайте електроинструмента, ако прекъсвачът не превключва във включено и изключено положение.** Всеки електроинструмент, който не може да бъде управляван с прекъсвач, е опасен и трябва да бъде ремонтиран.
- **Разединете щепсела от захранващата мрежа преди да извършите всякакви настройки, преди замяна на принадлежности или преди да приберете електроинструмента за съхранение.**

2. ДОПОЛНИТЕЛНИ ПРАВИЛА ЗА БЕЗОПАСНОСТ ПРИ РАБОТА С НОЖОВИ ТРИОНИ

- Тези предпазни мерки за безопасност намаляват риска от неволно пускане на електроинструмента.
- **Съхранявайте неизползваните електроинструменти на места, недостъпни за деца и не позволявайте на обслужващи лица, които не познават електроинструмента или не са запознати с тези инструкции, да работят с него.** Електроинструментите са опасни в ръцете на необучени потребители.
 - **Поддържайте електроинструментите.** Проверявайте движещите се части дали функционират нормално и се движат свободно, целостта и изправността на частите, както и за всякакво друго обстоятелство, което може неблагоприятно да повлияе на работата на електроинструмента. **Ако е повреден, електроинструментът трябва да бъде ремонтиран преди по-нататъшно използване.** Много злополуки са причинени от лошо поддържани електроинструменти.
 - **Поддържайте режещите инструменти остри и чисти.** Правилно поддържаните режещи инструменти с остри режещи ръбове е по-малко вероятно да блокират и са по-лесни за управление.
 - **Използвайте електроинструмента, принадлежностите и частите на инструмента и т.н. в съответствие с тези инструкции и по начин, предвиден за конкретния тип електроинструмент, като вземате предвид работните условия и работата, която трябва да се извършва.** Използването на електроинструмента за работа, различна от тази, за която е проектиран, може да предизвика опасна ситуация.

ОБСЛУЖВАНЕ

- **Поддържайте вашия електроинструмент при квалифициран специалист по ремонта, като използвате само оригиналните резервни части.** Това осигурява запазването на безопасността на електроинструмента.

ДОПОЛНИТЕЛНИ ПРАВИЛА ЗА БЕЗОПАСНОСТ ПРИ РАБОТА С НОЖОВИ ТРИОНИ

- По време на работа използвайте средства за защита на зрението, за да се предпазите от хвърчащи частици. Носете защитни очила.
- Използвайте средства за защита на слуха при продължителна работа.** Интензивният шум по време на работа може да предизвика слухови увреждания.
- Вземете предпазни мерки срещу вдишване на прах.** Някои материали могат да съдържат токсични съставки. Носете прахозащитна маска.
- Използвайте устройство за прахоотвеждане.
- **Дръжте електроинструмента само за изолираните повърхности за захващане когато извършвате операция, при която режещата принадлежност може да допре до скрита ел.инсталация или до собствения шнур.** Допирът на режещата принадлежност до проводник под напрежение ще постави откритите метални части на електроинструмента под напрежение и операторът ще получи токов удар.

2. ДОПОЛНИТЕЛНИ ПРАВИЛА ЗА БЕЗОПАСНОСТ ПРИ РАБОТА С НОЖОВИ ТРИОНИ

- Не обработвайте материали, съдържащи азбест. Азбестът се счита за канцерогенно вещество.

- Препоръчва се използването на защитни ръкавици.

ПРЕДУПРЕЖДЕНИЕ: Преди да свържете електроинструмента към захранващата мрежа, убедете се че захранващото напрежение отговаря на посоченото върху табелката с технически данни на електроинструмента.

- Източник на захранване с напрежение, по-високо от посоченото за електроинструмента, може да предизвика както сериозно поражение от електрически ток върху оператора, така и повреда на електроинструмента.
- Ако имате някакви колебания, не поставяйте щепсела на електроинструмента в контактното гнездо.
- Използването на източник на захранване с напрежение, по-ниско от обозначеното върху табелката на електроинструмента, ще увреди електродвигателя.
- За да се предотврати евентуално прегряване, винаги развивайте докрай кабела от удължител с кабелен барабан.
- Когато се налага използването на удължител, убедете се, че сечението му отговаря на номиналния ток на използвания електроинструмент, както и в изправността на удължителя.

ПРЕДУПРЕЖДЕНИЕ: Винаги изключвайте електроинструмента и изваждайте щепсела от контакта преди извършване на каквато и да било настройка, обслужване или поддръжка и при отпадане на захранващото напрежение.

- Фиксирайте обработвания детайл в менгеме или по друг подходящ начин.
- Докато работите винаги дръжте машината здраво с двете си ръце и поддържайте стабилно положение на тялото.
- Не използвайте триона без поставен предпазител.
- Пазете ръцете си извън зоната на рязане и не се пресягайте под обработвания материал докато ножчето реже. Допирът до ножчето ще предизвика трудова злополука.
- Подвеждайте ножчето в обработвания детайл само ако трионът е включен.
- Когато завършите среза първо изключете триона и извадете ножчето от материала едва след като то е преустановило движението си.
- Дръжте основата плътно прилепена до обработваната повърхност.
- Не претоварвайте машината: работете с умерен натиск. Претоварването е резултат от прилагане на прекомерен натиск, при което електродвигателят забавя въртенето си, това е предпоставка за неефекасна работа и евентуална повреда на електродвигателя на машината.
- Когато режете дървесина проверете предварително материала за наличието на винтове или гвоздеи и ги отстранете.
- Дръжте захранващия кабел извън работния обсег на машината.
- Не използвайте електроинструмента с повреден кабел. Не докосвайте повредения кабел и извадете щепсела от контакта, ако кабелът се повреди

3. УКАЗАНИЯ ЗА РАБОТА

- по време на работа. Повредените кабели повишават риска от токов удар.
- Поддържайте чисто работното място. Смесването на прах от различни материали е особено опасно. Прахът от леки метали може да гори или експлодира.
 - Електроинструментът трябва да се използва само по предназначение. Всякаква друга употреба, различаваща се от описаната в тази инструкция, ще се счита за неправилна употреба. Отговорността за всякаква повреда или нараняване, произтичащи от неправилна употреба, ще се носи от потребителя, а не от производителя.
 - За да експлоатирате правилно този електроинструмент, трябва да съблюдавате правилата за безопасност, общите инструкции и указанията за работа, посочени тук. Всички потребители трябва да са запознати с тази инструкция за експлоатация и информирани за потенциалните рискове при работата с електроинструмента. Деца и физически слаби хора не трябва да използват електроинструмента. Децата трябва да бъдат под непрекъснато наблюдение ако се намират в близост до място, където се работи с електроинструмента. Задължително е да предприемете и превантивни мерки за безопасност. Същото се отнася и за спазването на основните правила за професионалното здраве и безопасност.
 - Производителят не носи отговорност за извършени от потребителя промени върху електроинструмента или за повреди, предизвикани от подобни промени.
 - Електроинструментът е предназначен за работа в помещения и зони с нормална пожарна опасност съгласно "Наредба №2 "Противопожарни строително-технически норми". Не се допуска използването му във взривоопасна и пожароопасна среда, при температура на околния въздух над 40°C, в особено влажна среда, при наличие на валежи и в химически активна среда.

УКАЗАНИЯ ЗА РАБОТА

ЗАПОЗНАВАНЕ С ЕЛЕКТРОИНСТРУМЕНТА

Преди да започнете да работите с електроинструмента се запознайте с всички оперативни особености и условия за безопасност.

Използвайте електроинструмента и принадлежностите му само по предназначение. Всяко друго приложение е изрично забранено.

1. Прекъсвач
2. Електронен регулатор на честотата на ходовете
3. Застопоряващ бутон на прекъсвача
4. Защитен екран
5. Основа
6. Скала за определяне наклона на рязане
7. Ножче
8. Регулатор на махаловидния ход
9. Накрайник за прахоотвеждане
10. Водеща ролка
11. Паралелен водач
12. Винт на паралелния водач
13. Предпазител на ножчето
14. Шестостенен ключ
15. Механизъм за освобождаване на ножчето

Този електроинструмент е предназначен за рязане на плоскости и профили от дървесина, пластмаса и метал.

ПРЕДИ ДА ЗАПОЧНЕТЕ РАБОТА

- Проверете дали напрежението на електрическата мрежа отговаря на това, означено върху табелката с технически данни на електроинструмента.
- Проверете в какво положение се намира прекъсвачът. Електроинструментът трябва да се присъединява и отделя от захранващата мрежа само при изключен прекъсвач. Ако поставите щепсела в контакт докато прекъсвачът е във включено положение, електроинструментът веднага ще се задейства, което е предпоставка за злополука.
- Убедете се в изправността на захранващия кабел и щепсел. Ако захранващият кабел е повреден, замяната трябва да се извърши от производителя или от негов сервизен специалист, за да се избегнат опасностите от замяната.
- Винаги проверявайте дали ножчето е надеждно закрепено.

ПРЕДУПРЕЖДЕНИЕ: Винаги изключвайте електроинструмента и изваждайте щепсела от контакта преди извършване на каквато и да било настройка, обслужване или поддръжка и при отпадане на захранващото напрежение.

ПУСКАНЕ / СПИРАНЕ

Кратковременно задействане:

- **Пускане:** прекъсвач (1) се натиска.
- **Спиране:** прекъсвач (1) се отпуска.

Продължителна работа:

- **Пускане:** прекъсвач (1) се натиска и в натиснато състояние се застопорява с бутон (3).
- **Спиране:** прекъсвач (1) се натиска еднократно и се отпуска веднага.

В случай на отпадане на захранващото напрежение по време на работа при натиснат бутон (3), веднага освободете бутона.

Не застопорявайте прекъсвача с бутон (3) в случаите, когато може да се наложи трионът да бъде внезапно спрял.

РЕГУЛИРАНЕ ЧЕСТОТАТА НА ХОДОВЕТЕ

Регулирането на честотата на ходовете подобрява качеството на извършваната от триона работа и не наранява обработвания материал.

Честотата на ходовете се регулира чрез завъртане на регулатора (2).

Да се увеличи скоростта, завъртете регулатора (2) напред. (1 → 6)

За да се намали скоростта, завъртете регулатора (2) обратно. (6 → 1)

ЗАБЕЛЕЖКА: Когато използвате подходяща скорост за конкретната работа, ще подобрите качеството на извършваната работа и няма да наранявате

обработвания материал .

Ако искате да работите с постоянна скорост, натиснете прекъсвача и го застопорете с блокиращия бутон (3). Завъртете регулатора до достигане на желаната скорост.

Избягвайте продължителна работа с триона при ниска скорост. В противен случай може да предизвикате прегряване на триона. Ако трионът прегрее, го охладете като го оставите да работи на празен ход при максимална скорост. Честотата на ходовете трябва да бъде съобразена с вида на обработвания материал. По-долу са посочени препоръки за определяне на подходяща скорост за различни приложения:

- **НИСКА (1-2)** скорост е подходяща при започване на срез.
- **СРЕДНА (3-4)** скорост е подходяща при рязане на твърди метали, пластмаса и ламинирани плоскости.
- **ВИСОКА (5-6)** скорост дава най-добри резултати при рязане на дървесина, алуминий, месинг и мед.

Определете оптималната скорост като направите тестово рязане в парче непотребен материал.

ДЕМОНТИРАНЕ НА НОЖЧЕ

ПРЕДУПРЕЖДЕНИЕ: Винаги изключвайте електроинструмента и изваждайте щепсела от контакта преди извършване на каквато и да било настройка, обслужване или поддръжка и при отпадане на захранващото напрежение.

- Свалете защитния екран (4).
- Натиснете леко ножчето (7) към водещата ролка (10).
- Завъртете бутона на механизма за освобождаване на ножчето (15).
- Издърпайте ножчето навън.

ПОСТАВЯНЕ НА НОЖЧЕ

- Завъртете бутона на механизма за освобождаване на ножчето (15).
- Поставете ножчето докато се чуе отчетливо щракване, което указва че опашката на ножчето е влязла в отворите за фиксиране.
- Проверете дали бутона на механизма за освобождаване на ножчето се е върнал в начално положение.
- Поставете защитния екран (4).

ПРЕДУПРЕЖДЕНИЕ: Не се допуска работа с триона без поставен защитен екран (4).

РЯЗАНЕ

Поставете предния край на основата върху материала и подравнете режещия ръб на ножчето с линията на рязане, очертана върху материала. Убедете се, че кабелът е извън зоната на работа на ножчето и извън линията на рязане. Включете триона и започнете да го водите в обработвания материал.

Използвайте само натиск, достатъчен ножът да реже, а трионът да е устойчив.

ПРЕДУПРЕЖДЕНИЕ: Не претоварвайте триона, в противен случай трионът може да прегрее или ножчето може да се счупи.

За постигане на максимална производителност и високо качество на среза използвайте ножчето, съобразени с характера на операцията и вида на материала, който обработвате.

МАХАЛОВИДЕН ХОД

Махаловидният ход на ножовия трион осигурява максимална производителност на рязане, намаляване на триенето и топлинния ефект от него, и улеснява отделянето на стружките. При махаловиден ход ножчето се връзва в материала при движението си нагоре, при движението си надолу ножчето не се допира до материала. Включването и регулирането му се осъществяват чрез завъртане на лоста (8).

- За рязане с висока скорост в мек материал поставете лоста на регулатора в положение с по-висока стойност (3).
- За рязане в по-твърд материал поставете лоста на регулатора в положение (0), в което няма махаловиден ход).

РЯЗАНЕ ПО ПРАВА ЛИНИЯ

Рязането по права линия се извършва чрез водене на плъзгача на основата по дължината на летва или линеал, захванати със скоба към обработвания материал. Режете материала само в едната посока открай докрай, не режете материала до средата и после да довършвате среза от обратния край.

РЯЗАНЕ ПО КОНТУР

Рязането по контур се извършва като посоката на рязане се контролира посредством натиска, упражнен върху ръкохватката.

ПРЕДУПРЕЖДЕНИЕ: Прилагането на прекомерен страничен натиск върху ножчето може да предизвика счупване на ножчето или повреждане на обработвания материал.

РЯЗАНЕ ПОД НАКЛОН

Ъгълът на рязане под наклон може да се регулира от 0° до 45° в ляво или дясно. Ъглите за рязане под наклон, през интервал от 15°, са отбелязани върху скалата (6) от двете страни на основата (5).

Възможно е задаване на междинни положения на ъгъла на рязане като се използва транспортир. В този случай ъгълът се фиксира само с винтовете.

Регулиране на ъгъла

- Разхлабете винтовете, закрепващи основата, с влизация в комплекцията шестостенен ключ (14), докато основата започне да се движи свободно.
- Леко плъзнете основата назад, за да я освободите от корпуса на електродвигателя.
- Подравнете прореза, съответстващ на избрания ъгъл върху основата, с ръба на корпуса на електродвигателя.
- След като нагласите необходимия ъгъл, плъзнете обратно основата докато фиксиращият зъб на корпуса на електродвигателя се подравни със съответния прорез върху задната част на основата.
- Затегнете винтовете за закрепване на основата с шестостенния ключ, за да фиксирате основата.

ПРОБОДНО РЯЗАНЕ

ПРЕДУПРЕЖДЕНИЕ: За да се избегне загуба на контрол, счупване на ножчето или повреждане на обработвания материал, винаги работете с повишено внимание при прободно рязане. Не се препоръчва прободно рязане в други материали, освен в дървесина. • Очертайте ясно върху материала линията, по която ще режете.

- Нагласете ъгъл на рязане равен на 0°.
- Наклонете триона напред така че да легне на предния край на основата и ножчето да не докосва обработвания материал при включване на триона.
- Убедете се, че ножчето се намира в зоната на рязане.
- Включете триона на висока скорост и бавно подавайте ножчето към материала, докато не се вреже в дървесината.
- Продължете да спускате ножчето в материала докато основата не легне върху повърхността на материала, след това придвижете триона напред по маркираната линия, за да завършите среза.

РЯЗАНЕ НА МЕТАЛ

С този трион можете да режете различни метали. Внимавайте да не усуквате или огъвате ножчето. Не прилагайте прекомерен натиск. В случай че ножчето започне да вибрира прекомерно, сменете го с друго ножче с по-ситни зъбци, подходящо за обработвания материал или извършваната дейност или изберете по-висока скорост. Ако ножчето се загрее силно, работете с по-ниска скорост. Ако зъбците на ножчето се запълват при рязане на мек метал, например алуминий, използвайте ножче с по-едри зъбци или работете с по-ниска скорост. При рязане на метал препоръчваме по линията на рязане да се нанася масло. Това ще повиши производителността, ще охлажда ножчето и ще удължи неговата дълготрайност. Притегнете здраво обработвания детайл в менгеме и режете възможно най-близо до мястото на затягане, за да предотвратите вибрации в материала, който режете.

При рязане на тръби и винкел, закрепвайте детайла в менгеме и режете близо до челюстите на менгемето. При рязане на тънка ламарина поставете ламарината между две подложки от талашит или шперплат, захванати със скоби, за да елиминирате вибрациите и за да предотвратите неравностите по линията на среза. По този начин ще се получи чиста и гладка линия на срязване. Поставете шаблона, по който ще режете, върху горния слой.

ВАЖНО: При рязане на метал периодично изтривайте откритата част на държача на ножчето с парцал, напоен с масло, за да го почистите от металните стружки. Изхвърлете парцала след приключване на работа, за да избегнете риска от пожар.

РАБОТА С ПРАХООТВЕЖДАНЕ

Трионът се доставя с накрайник за прахоотвеждане (9), който се монтира върху тялото. Накрайникът спомага за засмукването на въздуха около ножчето, с което прахът и стърготините се изсмукват от линията на среза за по-добър обзор на оператора.

4. ТЕХНИЧЕСКИ ДАННИ

МОНТАЖ:

• Извадете щепсела на триона от контакта.

ПРЕДУПРЕЖДЕНИЕ: Ако трионът остане свързан към захранващата мрежа, той може да бъде неволно задействан, което е предпоставка за злополука.

• Закрепете крайника за прахоотвеждане към задната част на тялото.

• Свържете крайника към система за прахоотвеждане или прахосмукачка.

ДЕМОНТАЖ:

• Извадете щепсела на триона от контакта.

ПРЕДУПРЕЖДЕНИЕ: Ако трионът остане свързан към захранващата мрежа, той може да бъде неволно задействан, което е предпоставка за злополука.

• Издърпайте навън и свалете крайника.

РАБОТА С ПАРАЛЕЛЕН ВОДАЧ

Трионът се доставя с паралелен водач (11), който е удобно приспособление за напречни и надлъжни срезове.

МОНТАЖ:

• Извадете щепсела на триона от контакта.

ПРЕДУПРЕЖДЕНИЕ: Ако трионът остане свързан към захранващата мрежа, той може да бъде неволно задействан, което е предпоставка за злополука.

• Промушете рамото на паралелния водач през двата отвора в основата на триона.

• Нагласете с водача необходимото разстояние от ръба на материала и го фиксирайте с винтовете (12).

ТЕХНИЧЕСКИ ДАННИ

| | |
|---|----------------|
| Модел | JS550 |
| Консумирана мощност | 570 Вт |
| Честота на ходовете на празен ход | 800 - 3000/мин |
| Ход | 19мм |
| Допустима дълбочина на рязане в дървесина | 65мм |
| в стомана | 6мм |
| Рязане под наклон в ляво и дясно | 0-45° |
| Тегло | 1,9кг |
| Клас на защита (EN 62841) | II |

ПРИНАДЛЕЖНОСТИ:

Паралелен водач, крайник за прахоотвеждане, шестостепенен ключ.

ИНФОРМАЦИЯ ЗА ШУМ И ВИБРАЦИИ

Излъчване на шум (стойностите са измерени съгласно EN 62841):

| | |
|---|------------|
| A-претеглено ниво на звуково налягане LpA | 80.9 dB(A) |
| Неопределеност KpA | 3.0 dB |
| A-претеглено ниво на звукова мощност LwA | 91.9 dB(A) |
| Неопределеност KwA | 3.0 dB |

5. ПОДДРЪЖКА

Посоченото в тази инструкция ниво на вибрации е измерено в съответствие с методиката за изпитване, указана в EN 62841 и може да се използва за сравняване на електроинструменти. Нивото на вибрации може да се използва за предварителна оценка на степента на въздействие. Декларираното ниво на вибрации се отнася за основното предназначение на електроинструмента. В случаите, при които електроинструментът се използва за друго предназначение, с други принадлежности или ако електроинструментът не се поддържа добре, нивото на вибрации може се различава от посоченото. В тези случаи нивото на въздействие може значително да нарасне в границите на общия период на работа. При оценката на нивото на въздействие на вибрации трябва също да се отчита времето, през което електроинструментът е изключен или е включен, но не се използва. Това може значително да понижи нивото на въздействие в границите на общия период на работа. Прахът, отделян при обработването на материали като оловосъдържащи бои, някои видове дървесина, минерали и метали, може да бъде опасен за здравето.

- Когато това е възможно, използвайте прахоотвеждане.
- За да се постигне висока степен на прахоулавяне, при работа с този електроинструмент използвайте прахосмукачка, предназначена за събиране на прах от дървесина или за прах от дървесина и/или минерален прах.
- Осигурете добра вентилация на работното място.

ПОДДРЪЖКА

ПРЕДУПРЕЖДЕНИЕ: Винаги изключвайте електроинструмента и изваждайте щепсела от контакта преди каквато и да било проверка или поддръжка.

СМАЗВАНЕ Всички лагери на този електроинструмент са фабрично смазани с висококачествена смазка, чието количество е достатъчно за целия живот на триона и не се налага допълнително смазване.

ПОДМЯНА НА ЧЕТКИТЕ Когато четките се износят, двете четки трябва да се подменят едновременно с оригинални четки в сервис на STATUS за гаранционна и извънгаранционна поддръжка.

ОБЩА ПРОВЕРКА Проверявайте редовно всички крепежни елементи и се уверете, че те са здраво притегнати. В случай, че някой от винтовете се е разхлабил, го затегнете незабавно, за да избегнете рискови ситуации. Ако захранващият кабел е повреден, замената трябва да се извърши от производителя или негов сервисен специалист, за да се избегнат опасностите от замената.

ПОЧИСТВАНЕ За безопасна работа поддържайте винаги чисти машината и вентилационните отвори. Редовно проверявайте дали във вентилационната решетка близо до електродвигателя или около превключвателите не е проникнал прах или чужди тела. Използвайте мека четка за да отстраните събрания се прах. За да предпазите очите си, по време на почистването носете защитни очила. Ако корпусът на машината се нуждае от почистване, избършете го с мека влажна кърпа.

6. ДЕКЛАРАЦИЯ ЗА СЪОТВЕТСТВИЕ

ПРЕДУПРЕЖДЕНИЕ: Не се допуска употребата на спирт, бензин или други разтворители. Никога не използвайте разяждащи препарати за почистване на пластмасовите части. Не се допуска влизането на вода в контакт с машината.

ЗАБЕЛЕЖКА: При рязане на детайли от стъклопласт, облицовки за стени или гипс електроинструментите са подложени на ускорено стареене и са възможни преждевременни откази. Стружките и отделените при работа частици от тези материали са силно абразивни за лагерите, четките, колектора и др. Не се препоръчва продължителна обработка на тези материали. При рязане на такъв тип материал от изключителна важност е честото почистване на триона със състен въздух.

ВАЖНО! За да се осигури безопасната работа с електроинструмента и неговата надеждност, всички дейности по ремонта, поддръжката и регулирането (включително проверката и подмяната на четките) трябва да се извършват в оторизираните сервиси на STATUS с използване само на оригинални резервни части.

ГАРАНЦИЯ

Гаранционният срок на електроинструментите STATUS се определя в гаранционна карта. Неизправности, появили се в следствие на естествено износване, претоварване или неправилна експлоатация, се изключват от гаранционните задължения.

ДЕКЛАРАЦИЯ ЗА СЪОТВЕТСТВИЕ

STATUS ITALIA S.R.L. декларира, че този продукт с търговска марка STATUS: Ножов трион JS550 е произведен в съответствие със следните директиви на ЕС: 2006/42/ЕС, 2014/30/EU

А също така отговаря на следните стандарти: EN55014-1:2017, EN 55014-2:2015, EN 61000-3-2:2014, EN 61000-3-3:2013, EN 62841-1:2015+AC:15, EN 62841-2-11:2016, AfPS GS 2014:01.

Техническата документация се съхранява при производителя:

STATUS ITALIA S.R.L., Виа Алдо Моро, 14 / А, 36 060 - Pianezze (VI), ИТАЛИЯ

Карон Джиасинто
Директор
STATUS ITALIA S.R.L.

Дистрибутор на територията на България:

Спринтер ООД.

Адрес по регистрация: България, гр. София 1000, бул. Христо Ботев 28, ет. 7.

Адрес за кореспонденция: България, гр. София 1303,

бул. Тодор Александров №28, магазин №4.

Уебсайт: www.status-tools.com, E-mail: office@status-tools.eu.

Тел. 02 870 51 98

1. ОБЩИ ПРАВИЛА БЕЗОПАСНОСТИ

ОБЩИ ПРАВИЛА БЕЗОПАСНОСТИ



ВНИМАНИЕ !

Внимателно изучите инструкцию.

Несоблюдение изложенных в ней правил может стать причиной поражения электрическим током, или получения травмы.

Сохраните эту инструкцию

1) БЕЗОПАСНОСТЬ РАБОЧЕГО МЕСТА

- Соблюдайте чистоту и поддерживайте надлежащую освещенность на рабочем месте. Беспорядок на рабочем месте или его плохое освещение могут привести к несчастным случаям.
- Не используйте с электроинструментом во взрывоопасной среде, т.е. в непосредственной близости от легковоспламеняющихся жидкостей, газов или пыли. В процессе работы электроинструмент искрит и искры могут воспламенить газы или пыль.
- При работе с электроинструментом не допускайте детей или посторонних на Ваше рабочее место. Отвлечение Вашего внимания может привести к потере контроля над работой инструмента.

2) ЭЛЕКТРИЧЕСКАЯ БЕЗОПАСНОСТЬ

- Штепсельная вилка кабеля питания электроинструмента должна соответствовать розетке электросети. Не вносите никаких изменений в конструкцию вилки. Не используйте адапторы для электроинструмента с защитным заземлением. Заводские штепсельные вилки и соответствующие им сетевые розетки существенно снижают вероятность электрошока.
- Избегайте механических контактов с такими заземленными поверхностями, как трубопроводы, системы отопления, плиты и холодильники. При соприкосновении человека с заземленными предметами во время работы инструментом вероятность электрошока существенно возрастает.
- Оберегайте электроинструмент от воздействия дождя и влаги. Попадание воды в электроинструмент повышает вероятность электрического удара.
- Используйте кабель строго по назначению. Не допускается тянуть и передвигать электроинструмент за кабель или использовать кабель для вытягивания вилки из розетки. Оберегайте кабель инструмента от воздействия высоких температур, масла, острых кромок или движущихся частей электроинструмента. Поврежденный или спутанный кабель повышает возможность электрического удара.
- При работе на улице используйте удлинитель, предназначенный для работы вне помещения. Использование такого удлинителя снижает вероятность электрического удара.
- Если невозможно избежать применения электроинструмента в сыром помещении, то устанавливайте устройство защиты от утечки в землю.

3) ЛИЧНАЯ БЕЗОПАСНОСТЬ

- Будьте внимательны, следите за тем, что Вы делаете и выполняйте работу обдуманно. Не пользуйтесь электроинструментом, если Вы устали или находитесь под воздействием транквилизаторов, алкоголя или медицинских препаратов. Секундная потеря концентрации в работе с электроинструментом может привести к серьезным травмам.
- Используйте средства индивидуальной защиты. Защитные очки обязательны. Средства индивидуальной защиты, такие как противопылевой респиратор, нескользящая защитная обувь, шлем-каска, средства защиты органов слуха применяются в соответствующих условиях работы обстоятельствах и минимизируют возможность получения травм.
- Предотвращайте непреднамеренное включение электроинструмента. Перед подключением электроинструмента к электропитанию и/или к аккумулятору убедитесь в выключенном состоянии электроинструмента. Если Вы при транспортировке электроинструмента держите палец на выключателе или включенный электроинструмент подключаете к сети питания, то это может привести к несчастному случаю.
- Во избежание травм перед включением инструмента удалите регулировочный или гаечный ключ из вращающейся части инструмента.
- Не переоценивайте свои возможности. Твердо стойте на ногах и удерживайте равновесие. В таком положении вы сможете лучше контролировать инструмент в неожиданных ситуациях.
- Используйте подходящую рабочую одежду. Не надевайте свободную одежду и украшения. Волосы, одежда и перчатки должны находиться подальше от движущихся частей электроинструмента. Свободная одежда, украшения или длинные волосы легко могут попасть в движущиеся части электроинструмента.
- При наличии пылеотсасывающих и пылесборных приспособлений убедитесь в том, что они подсоединены и используются надлежащим образом. Применение пылеотсоса может снизить опасности, создаваемые пылью

4) ЭКСПЛУАТАЦИЯ И УХОД ЗА ЭЛЕКТРОИНСТРУМЕНТОМ

- Не перегружайте инструмент. Используйте тот инструмент, который предназначен для данной работы. С подходящим инструментом Вы выполните работу лучше и надежней, используя весь диапазон его возможностей.
- Не используйте инструмент с неисправным выключателем. Инструмент с неисправным выключателем опасен и подлежит ремонту.
- До начала наладки электроинструмента, замены принадлежностей или прекращения работы отключайте штепсельную вилку от розетки сети и/или выньте аккумулятор. Данная мера предосторожности предотвращает случайное включение инструмента.
- Храните неиспользуемый электроинструмент в недоступном для детей месте и не позволяйте использовать его лицам, не умеющим с ним

- обращаться или не ознакомленным с инструкцией по эксплуатации. Электроинструменты представляют собой опасность в руках неопытных пользователей.
- Электроинструмент требует надлежащего ухода. Проверяйте безупречность функции подвижных частей, лёгкость их хода, целостность всех частей и отсутствие повреждений, которые могут негативно сказаться на работе инструмента. При обнаружении повреждений сдайте инструмент в ремонт. Большое число несчастных случаев связано с неудовлетворительным уходом за электроинструментом.
 - Режущие части инструмента необходимо поддерживать в заточенном и чистом состоянии. При надлежащем уходе за режущими принадлежностями с острыми кромками они реже заклиниваются и инструмент лучше поддаётся контролю.
 - Используйте электроинструмент, принадлежности, биты и т.д. в соответствии с данными инструкциями, исходя из особенностей условий и характера выполняемой работы. Использование электроинструмента не по назначению может привести к опасным последствиям.

ПРАВИЛА БЕЗОПАСНОСТИ ДЛЯ ЛОБЗИКОВ

Во время работы использовать средства защиты глаз от летящих частиц. Носить защитные очки.

Использовать средства защиты слуха при продолжительной работе. Интенсивный шум во время работы может привести к повреждению слуха.

Принять необходимые меры защиты от вдыхания пыли. Некоторые материалы могут содержать токсические компоненты. Носить пылезащитную маску. Использовать пылесос или вытяжную систему для отвода пыли.

- **В случае потенциальной возможности касания пилкой скрытой скрытой электропроводки или собственного сетевого шнура, держите электроинструмент только за изолированные рукоятки.** Контакт пилки с токоведущим проводом ставит под напряжение также открытые металлические части электроинструмента и может привести к поражению оператора электрическим током.
- Не разрешается обрабатывать материалы, содержащие асбест. Асбест считается канцерогенным веществом.
- Рекомендуется использование защитных рукавиц.

ПРЕДОСТЕРЕЖЕНИЕ: Перед подключением электроинструмента к сети питания проверить соответствие между напряжением сети и данными, указанными на табличке с техническими данными электроинструмента.

- Подключение к источнику питания с напряжением выше указанного для электроинструмента может привести к тяжелым поражениям оператора электрическим током, а также к повреждению инструмента.
- Использование источника питания с напряжением ниже указанного на табличке электроинструмента может привести к повреждению двигателя.

2. ПРАВИЛА БЕЗОПАСНОСТИ ДЛЯ ЛОБЗИКОВ

- Если необходимо использование удлинителя, сечение проводов должно соответствовать номинальному току используемого электроинструмента. Удлинитель должен быть в полной исправности.
 - Во избежание перегрева провода следует всегда разматывать его до конца с кабельного барабана.
- ПРЕДОСТЕРЕЖЕНИЕ:** Перед выполнением каких-либо работ по настройке, ремонту и обслуживанию, а также при исчезновении напряжения в сети обязательно выключите электроинструмент и выньте штепсель из розетки.
- Обрабатываемая деталь должна быть зафиксирована в тисках или другим подходящим способом.
 - Во время работы всегда держите машину обеими руками и сохраняйте стабильное положение тела. Безопасность работы инструментом гораздо выше при удержании его обеими руками.
 - Не допускается использование пилы без передней защитной скобы (13).
 - Руки должны всегда находиться вне зоны резки. Запрещается класть руку под обрабатываемую заготовку, пока машина работает. Любой контакт с лезвием пилки грозит серьезной травмой.
 - Подводите лезвие пилки к обрабатываемой заготовке только после включения машины.
 - В конце пропила сначала выключите пилу – и вытяните лезвие из пропила только после полной остановки движения пилки.
 - Основная подошва машины должна плотно прилегать к обрабатываемой поверхности.
 - Не перегружайте машину - работайте при умеренном нажатии. Перегрузка в результате приложения чрезмерного усилия может привести к падению оборотов двигателя, что в свою очередь приводит к ухудшению эффективности работы охлаждения и опасности повреждения двигателя.
 - Перед резкой дерева проверить отсутствие винтов и гвоздей в материале и устранить их, если таковые будут обнаружены в заготовке.
 - Кабель питания должен находиться всегда вне зоны пиления.
 - Не использовать электроинструменты с поврежденным кабелем. Не касаться поврежденного кабеля. Вынуть немедленно штепсель из розетки, если кабель получил повреждение изоляции во время работы. Неисправность кабеля грозит поражением электротоком.
 - Рабочее место следует поддерживать в полной чистоте. Смешивание пыли разных материалов особо опасно. Пыль легких металлов может воспламениться или взорваться.
 - Электроинструмент использовать только по назначению. Любое другое использование, отличающееся от указанного в настоящей инструкции, будет считаться неправильным использованием. Производитель не несет никакой ответственности за ущерб и травмы, являющиеся следствием неправильного использования инструмента.
 - Для обеспечения правильной эксплуатации электроинструмента следует

3. УКАЗАНИЯ ПО РАБОТЕ

- соблюдать правила безопасности, общие инструкции и указания по работе, перечисленные здесь. Все потребители должны быть ознакомлены с настоящей инструкцией эксплуатации и предупреждены о потенциальных рисках, связанных с работой инструмента.
- Нельзя допускать дети и физически слабые особы к работе с инструментом. Дети, находящиеся в близости рабочей зоны машины, должны быть под непрерывным наблюдением. Принятие предупредительных мер безопасности обязательно. То же самое обязательно и касательно соблюдения основных правил профессиональной охраны здоровья и безопасности.
- Производитель не несет никакой ответственности за внесенные потребителем изменения и модификации машины, а также за повреждения и ущербы в результате таких изменений.
 - Машину не следует использовать под открытым небом при дождливой погоде, во влажной среде (после дождя) или в близости легко воспламеняемых жидкостей и газов.

Рабочее место должно быть хорошо освещено.

УКАЗАНИЯ ПО РАБОТЕ

Перед началом работы с электроинструментом следует ознакомиться со всеми конструктивными особенностями и правилами безопасного использования. Использовать электроинструмент и его принадлежности только по прямому назначению. Любое другое использование инструмента запрещено.

1. Клавиша выключателя
2. Электронный регулятор частоты ходов
3. Фиксатор клавиши выключателя
4. Защитный экран
5. Подошва
6. Шкала угла наклона пропила
7. Пилка
8. Регулятор маятникового движения
9. Патрубок пылеотсоса
10. Опорный ролик
11. Параллельный упор
12. Винт крепления упора
13. Защитная скоба
14. Шестигранный ключ
15. Узел крепления пилки

Электроинструмент предназначен для резки плоскостей и профилей из дерева, пластмассы и металла.

ПЕРЕД НАЧАЛОМ РАБОТЫ

- Проверить соответствие напряжения электрической сети с данными, обозначенными на табличке с техническими данными машины.
- Проверить положение выключателя. Подключение и отключение от сети питания выполнять только при положении «ВЫКЛ» выключателя. Попытки вставить штепсель в розетку, когда выключатель в положении «ВКЛ» приведут к немедленному запуску инструмента со всеми возможными рисками несчастного случая.

3. УКАЗАНИЯ ПО РАБОТЕ

- Проверить исправность кабеля питания и штепселя. Если кабель питания поврежден, замену кабеля проводить только в авторизованном сервисном центре.

- Обязательно проверять надежность крепления пилки.

ПРЕДОСТЕРЕЖЕНИЕ: Перед тем, как приступить к каким-либо работам по регулировке, обслуживанию или уходу, а также при отсутствии напряжения в сети питания обязательно выключать инструмент и вынуть штепсель из розетки.

ПУСК - ОСТАНОВКА

Кратковременный пуск

Пуск: нажать на включатель (1).

Остановка: отпустить включатель (1).

Продолжительная работа

Пуск: нажать на включатель (1) и заблокировать кнопкой (3) в нажатом состоянии.

Остановка: нажать на включатель (1) и отпустить.

В случае отсутствия напряжения питания во время работы при заблокированном кнопкой (3) включателе немедленно освободить кнопку.

Нельзя блокировать включатель кнопкой (3) в случаях, когда может возникнуть необходимость аварийной остановки пиления.

РЕГУЛИРОВКА ЧАСТОТЫ ХОДОВ

Регулирование частоты ходов позволяет улучшить качество выполняемой работы пилой и не допустить повреждения обрабатываемого материала.

Частоту ходов регулируют вращением колеса регулятора (2).

Вращение колеса регулятора (2) вперед увеличивает частоту ходов.

Вращение колеса регулятора (2) назад уменьшает частоту ходов.

ПРЕДОСТЕРЕЖЕНИЕ: При выборе скорости, подходящей для конкретного вида работы улучшается качество выполняемого реза и уменьшается риск повреждения пилки и обрабатываемого материала.

Для выполнения работы с постоянной скоростью следует нажать включатель и заблокировать его кнопкой (3).

Повернуть колесо регулятора до достижения нужной скорости.

Диапазон изменения частоты - от 800 (1) до 3000 (6) ходов в минуту.

Следует избегать продолжительной работы пилы при низкой скорости – это может привести к перегреву двигателя. При перегреве пилку следует охладить, включая и оставляя работать на холостом ходу на максимальной скорости.

Частота ходов должна быть подобрана в зависимости от вида обрабатываемого материала. Ниже указаны рекомендации по выбору подходящей скорости для разных приложений:

- НИЗКАЯ (1-2) скорость подходит для начала среза.
- СРЕДНЯЯ (3-4) скорость оптимальна при резке твердых металлов, пластмассы и ламинированных поверхностей.
- ВЫСОКАЯ (5-6) скорость дает лучшие результаты при резке дерева, алюминия, латуни и меди.

3. УКАЗАНИЯ ПО РАБОТЕ

Рекомендуется определить оптимальную скорость, выполняя пробный срез в куске не нужного материала.

ИЗВЛЕЧЕНИЕ ПИЛКИ

ПРЕДОСТЕРЕЖЕНИЕ: Перед тем, как приступить к каким-либо работам по регулировке и обслуживанию, а также при исчезновении напряжения в сети питания обязательно выключите инструмент и выньте штепсель из розетки.

- Снимите защитный экран (4).

- Прижмите торец пилки (7) к опорному ролику (10).

- Поверните головку узла (15) крепления для освобождения хвостовика пилки из фиксатора.

- Извлеките пилку из узла крепления.

УСТАНОВКА ПИЛКИ

ПРЕДОСТЕРЕЖЕНИЕ: Перед тем, как приступить к каким-либо работам по регулировке и обслуживанию, а также при исчезновении напряжения в сети питания обязательно выключите инструмент и выньте штепсель из розетки.

- Поверните головку узла крепления (15) и вставьте хвостовик пилки в прорезь узла крепления до упора. При этом обратная (нерабочая) часть полотна пилки должна попасть в паз опорного ролика (10).

- Отпустите головку узла крепления, она должна вернуться в первоначальное положение. Слегка потяните пилку вниз чтобы проверить, плотно ли пилка зафиксирована в узле крепления.

- Поставьте на место защитный экран (4).

ПРЕДОСТЕРЕЖЕНИЕ: Не разрешается работа лобзиком без установленного защитного экрана (4).

РЕЗКА

Опереть передний край подошвы на кромку заготовки и установить режущую кромку пилки против размеченной линии реза. Проверить положение кабеля вне линии реза. Включить пилу и ввести лезвие в обрабатываемый материал. Прилагать минимальное нажатие, достаточное для равномерной резки и стабильного положения машины.

ПРЕДОСТЕРЕЖЕНИЕ: Следует избегать перегрузки пилы – это может привести к перегреву двигателя и поломке лезвия.

Для обеспечения максимальной производительности и высокого качества реза использовать только пилки, подходящие для данного вида обрабатываемого материала и характера операции (например грубый или чистовой пропилен).

МАЯТНИКОВЫЙ ХОД

Маятниковый ход лезвия обеспечивает максимальную производительность резки, уменьшает трение и связанный с ним нагрев. При маятниковом ходе лезвие врубается в материал при движении вверх, а при движении вниз лезвие не касается материала.

Включение и регулирование маятникового хода осуществляется переключателем (8) с четырьмя позициями (0-1-2-3).

3. УКАЗАНИЯ ПО РАБОТЕ

- При резке с высокой скоростью в мягком материале и низких требованиях к качеству краев пропила установите переключатель в положение 3.
- При резке в твердом материале (металл) установите переключатель в положение 0 в котором не используется маятниковый ход.

РЕЗКА ПО ПРЯМОЙ ЛИНИИ

Резка по прямой линии осуществляют с опорой боковой стороны подошвы на планку или линейку закрепленную на заготовке струбциной.

Пилить заготовку нужно только в одном направлении от начала до конца - не следует выполнять рез до середины материала с одной стороны а потом закончить рез с противоположного конца.

РЕЗКА ПО КРИВОЛИНЕЙНОМУ КОНТУРУ

Резку по контуру выполняют медленно перемещая специальную пилку в пропиле по криволинейной траектории, контролируя направление реза нажатием на рукоять.

ПРЕДОСТЕРЕЖЕНИЕ: Приложение слишком большого бокового нажатия на лезвие может привести к поломке пилки или к повреждению обрабатываемого материала.

РЕЗКА ПОД НАКЛОНОМ

Угол резки под наклоном можно регулировать от 0° до 45° влево или вправо. На шкале (6) с обеих сторон подошвы (5) помечены углы резки под наклоном с шагом 15°. Возможно задание промежуточных значений угла резки – для этого можно использовать транспортир.

В этом случае угол следует фиксировать только винтами крепления прижимной планки, не используя зубцы на подошве и фиксирующие выступы на корпусе.

Установка угла:

- Ослабить винты, фиксирующие подошву при помощи включенного в комплект поставки шестигранного ключа.
- Передвинуть подошву назад, чтобы освободить ее от зацепления с выступами на корпусе двигателя.
- Установить метку на подошве, соответствующую выбранному углу резки, против кромки корпуса электродвигателя.
- После установки необходимого угла передвинуть подошву обратно, так чтобы фиксирующий выступы корпуса попали бы в пазы между зубцами на подошве.
- Затянуть винты крепления подошвы шестигранным ключом.

РЕЗКА В МЕТАЛЛЕ

Пилы этого типа могут резать разные металлы.

Следить, чтобы лезвие не скручивалось и не перегибалось. Нельзя прилагать чрезмерное нажатие. Если наблюдается повышенная вибрация лезвия, следует заменить его другим лезвием с более мелкими зубьями, подходящее для обрабатываемого материала и выполняемой операции, или переключить на более высокую скорость. В случае сильного нагрева лезвия переключить на низшую скорость.

3. УКАЗАНИЯ ПО РАБОТЕ

Если зубья лезвия заполняются при резке мягкого металла, например алюминия, следует использовать лезвие с более крупными зубьями или работать на более низкой скорости. При резке металлов рекомендуется по линии реза нанести капли масла.

Таким образом повышается производительность, обеспечивается охлаждение лезвия и увеличение продолжительности его работы. Обрабатываемая деталь должна быть хорошо закреплена в тисках, а линия реза должна лежать как можно ближе к точке крепления, чтобы предотвратить вибрации заготовки.

При резке труб и угловых профилей закреплять деталь в тисках и резать близко к месту крепления заготовки в тисках.

При резке тонких металлических листов фиксировать лист между двумя лентами из пластика, фиксированных струбцинами, чтобы уменьшить вибрации и предотвратить неровности по линии среза.

Таким образом можно получить чистую гладкую линию среза.

ВАЖНО: При резке в металле периодически протирать открытую часть узла крепления пилки тряпкой, смоченной маслом, чтобы устранить стружки металла.

РАБОТА С СИСТЕМОЙ ОТВОДА ПЫЛИ

Лобзик поставляется со съемным патрубком для отвода пыли (9), который закрепляется на корпусе изделия.

МОНТАЖ

- Вынуть штепсель пилы из розетки.

ПРЕДОСТЕРЕЖЕНИЕ: Если кабель подключен к сети питания, может получиться невольное включение машины, что грозит несчастным случаем.

- Закрепить патрубок отвода пыли вставив его и повернув в отверстия на корпусе лобзика.
- Соединить патрубок с системой отвода пыли или с пылесосом.

ДЕМОНТАЖ

- Вынуть штепсель из розетки.
- Повернуть и вынуть патрубок из корпуса лобзика.

РАБОТА С ПАРАЛЛЕЛЬНЫМ УПОРОМ

Лобзик поставляют в комплекте с параллельным упором (11), это удобное приспособление при выполнении поперечных и продольных резов.

МОНТАЖ

- Вынуть штепсель из розетки.
- Вставить планку параллельного упора в специальные отверстия в подошве лобзика.
- Установить необходимое расстояние от опорной пластины упора до линии пропила и зафиксировать это расстояние винтами (12).

ТЕХНИЧЕСКИЕ ДАННЫЕ

| | |
|---------------------------------------|----------------|
| Модель | JS550 |
| Потребляемая мощность | 570 Вт |
| Частота ходов штока | 800 - 3000/мин |
| Длина хода штока | 19мм |
| максимальная толщина реза в дереве | 65мм |
| в стали | 6мм |
| Угол наклона подошвы (влево и вправо) | 0-45° |
| Вес | 1,9 кг |
| Класс защиты (EN 62841) | II |

ПРИНАДЛЕЖНОСТИ:

Параллельный упор, патрубков пылеотсоса, шестигранный ключ.

ВНИМАНИЕ: Производитель оставляет за собой право изменения технических параметров и комплектации изделия без предварительного уведомления.

Информация о шуме и вибрациях

Излучение шума (значения замерялись в соответствии с EN 62841):

| | |
|--|------------|
| A-взвешенный уровень звукового давления L_{pA} | 80.9 дБ(A) |
| Неопределенность K_{pA} | 3.0 дБ |
| A-взвешенный уровень звуковой мощности L_{wA} | 91.9 дБ(A) |
| Неопределенность K_{wA} | 3.0 дБ |

Используйте средства защиты от шума!

Излучение вибраций суммарные значения вибраций (сумма 3-х направлений)

| | |
|-------------------------|------------------------|
| Величина вибрации a_h | 4,351 м/с ² |
| Неопределенность K | 1.5 м/с ² |

Указанный в настоящую инструкцию уровень вибраций измерен в соответствии установленную EN 62841 методику испытаний и может использоваться для сравнения электроинструментов. Уровень вибраций может использоваться для предварительной оценки воздействия.

Указанный уровень вибраций дан при условии использования инструмента по его прямому назначению (пилению).

УХОД И ОБСЛУЖИВАНИЕ

ПРЕДОСТЕРЕЖЕНИЕ: Перед тем, как приступить к каким-либо работам по обслуживанию или поддержке обязательно выключать инструмент и вынимать штепсель из розетки.

СМАЗКА Все подшипники электроинструмента заполнены на заводе высококачественной смазкой - ее количество достаточно на протяжении срока службы изделия и нет необходимости в дополнительной смазке.

ЗАМЕНА ЩЕТОК Когда щетки изношены, обе щетки надо заменить одновременно оригинальными щетками в авторизованном сервисном центре.

ОБЩАЯ ПРОВЕРКА Проверять регулярно состояние всех крепежных элементов и убедиться, что они хорошо затянуты. В случае ослабления винтов надо затянуть их немедленно, чтобы избежать опасных ситуаций.

Если кабель питания поврежден, он подлежит немедленной замене в авторизованном сервисном центре.

ЧИСТКА Регулярно проверять состояние вентиляционной решетки вблизи двигателя и отсутствие пыли и опилок в переключателях. Использовать мягкую щетку для удаления скопившейся пыли. Если необходимо почистить корпус машины, протрите его мягкой влажной тряпкой. Можно использовать слабый раствор нейтрального моющего препарата.

ПРЕДОСТЕРЕЖЕНИЕ: Не допускается употребление спирта, бензина или других растворителей. Не использовать в никаком случае разъедающие препараты при очистке пластмассовых частей.

ПРЕДОСТЕРЕЖЕНИЕ: Не допускать попадания воды на части машины.

ПРИМЕЧАНИЕ: При резке деталей из стеклопластов, облицовочных плит или гипса инструменты подвержены ускоренному старению и возможны преждевременные отказы. Стружки и отделяемые при работе частицы этих материалов имеют сильно абразивное воздействие на подшипники, щетки, коллектор и др. Рекомендуется избегать продолжительной обработки таких материалов. При резке материалов этих типов исключительно важно часто продувать машину сжатым воздухом.

ВАЖНО! Для обеспечения безопасности работы электроинструмента и его надежность все работы по ремонту, обслуживанию и регулированию (включительно проверка и замена щеток) должны быть выполнены в авторизованных сервисных центрах STATUS с использованием только оригинальных запасных частей.

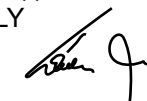
ДЕКЛАРАЦИЯ СООТВЕТСТВИЯ

STATUS ITALIA S.r.l. заявляет, что данное изделие торговой марки STATUS: лобзик (пила маятниковая) JS550 изготовлено в соответствии со следующими директивами ЕС: 2006/42/ЕС, 2014/30/EU

А так же соответствует нижелечисленным стандартам:

EN55014-1:2017, EN 55014-2:2015, EN 61000-3-2:2014, EN 61000-3-3:2013, EN 62841-1:2015+AC:15, EN 62841-2-11:2016, AfPS GS 2014:01.

Техническая документация хранится у производителя: STATUS ITALIA S.R.L., via Aldo Moro, 14/A, 36060 - Pianezze (VI), ITALY



Карон Джиасинто
Директор
STATUS ITALIA S.R.L.

Изделие соответствует требованиям следующих технических регламентов Таможенного Союза: TP TC 004/2011, TP TC 010/2011, TP TC 020/2011, TP TC 037/2016. Информация о сертификате находится на сайте www.status-tools.com. Представитель в России: ООО «СТАТУС ТУЛС» 143085, Московская область, Одинцовский район, р/п Заречье, территория 12 месяцев ЖК, стр. 13.