



# STATUS®

**ENG**

**IMPACT DRILL**

Original instructions

**DE**

**SCHLAGBOHRMASCHINE**

Originalbetriebsanleitung

**IT**

**TRAPANO BATTENTE**

Istruzioni originali

**BG**

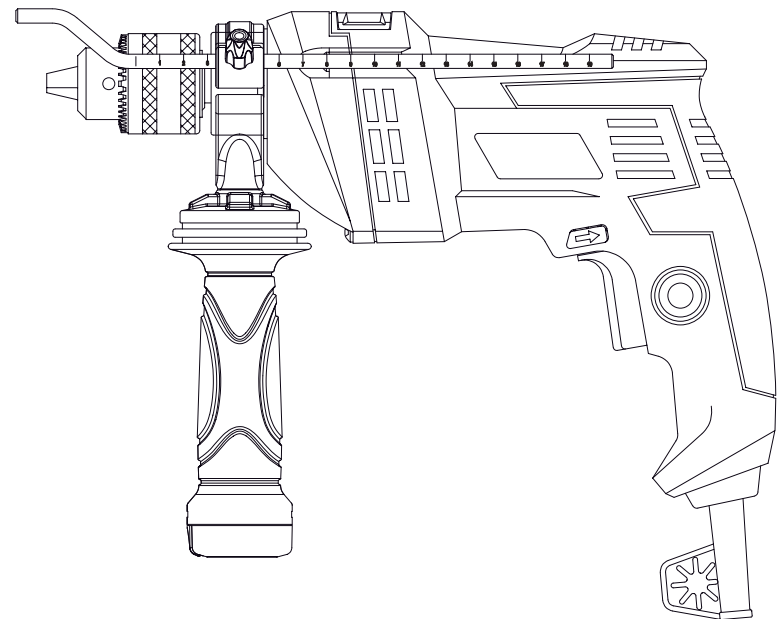
**УДАРНА БОРМАШИНА**

Оригинална инструкция за използване

**RU**

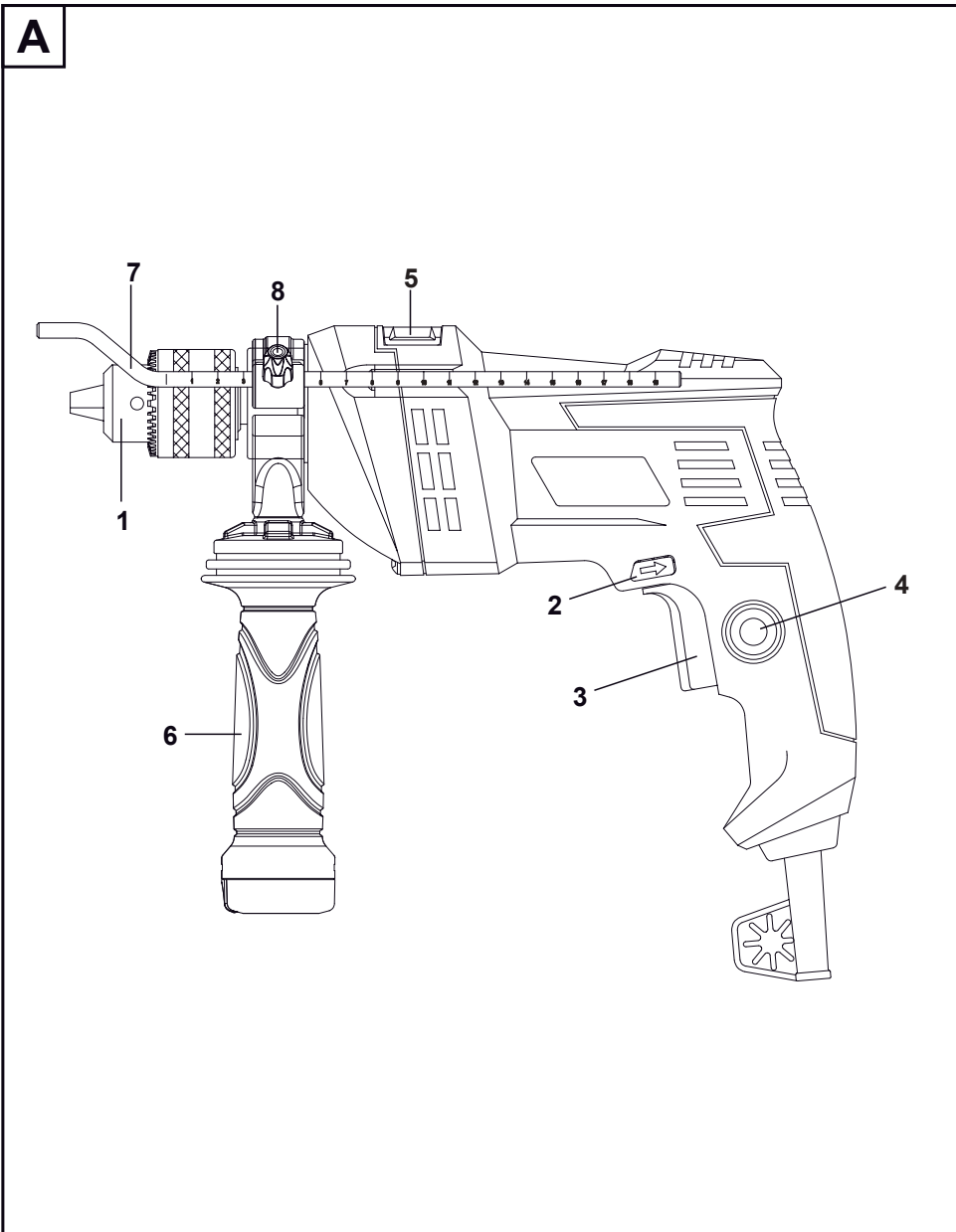
**УДАРНАЯ ДРЕЛЬ**

Оригинальная инструкция по эксплуатации



**DP750**





**INTENDED USE**

This electric drill is intended for the drilling of wood, ceramic, plastic, concrete and metal working, as well as tightening and loosening screws.

Only adults may use this tool.

Any other usage is inappropriate. Tampering with, or using parts which were not reviewed or approved by the manufacturer, is also inappropriate. Inappropriate use may cause unpredictable damage to the user and surrounding objects.

The manufacturer assumes no responsibility for damages resulting from inappropriate usage.

**SAFETY ADVICE**

**WARNING!**

Read all instructions carefully. Failure to follow all instructions listed below may result in electric shock, fire and/or serious injury.

The term "power tool" in all the warnings listed below refers to your mains operated (corded) power tool or battery operated (cordless) power tool.

**SAVE THESE INSTRUCTIONS**

**1) WORK AREA**

- Keep work area clean and well lit. Cluttered and dark areas incite accidents.
- Do not operate power tools in explosive atmospheres, such as in the presence of flammable liquids, gases or dust. Power tools create sparks which may ignite the dust or fumes.
- Keep children and bystanders away while operating a power tool. Distractions can cause you to lose control.

**2) ELECTRICAL SAFETY**

- Hold the power tool by insulated gripping surfaces only, when performing an operation where the cutting accessory may contact hidden wiring or its own cord. Cutting accessory contacting a "live" wire may make exposed metal parts of the power tool "live" and could give the operator an electric shock.
- Power tool plugs must match the outlet. Never modify the plug in any way. Do not use any adapter plugs with earthed (grounded) power tools. Unmodified plugs and matching outlets will reduce risk of electric shock.
- Avoid body contact with earthed or grounded surfaces such as pipes, radiators, ranges and refrigerators. There is an increased risk of electric shock if your body is earthed or grounded.
- Do not expose power tools to rain or wet conditions. Water entering a power tool will increase the risk of electric shock.
- Do not abuse the cord. Never use the cord for carrying, pulling or unplugging the power tool. Keep cord away from heat, oil, sharp edges or moving parts.
- When operating a power tool outdoors, use an extension cord suitable for outdoor use. Use of a cord suitable for outdoor use reduces the risk of electric shock.

## 2. SAFETY ADVICE

- Connect the electric power tool to electricity, using a 16/25 A maximum secure contact protected outlet (220/240V~, 50/60 Hz). We recommend you to attach a residual current circuit-breaker (RCD) that does not exceed 30mA.

### 3) PERSONAL SAFETY

- Hold the power tool on the insulated surfaces while performing any operations, in cases when the cutting tool may directly contact hidden power conductors or may interfere with a power cord.
- Stay alert, watch what you are doing and use common sense when operating a power tool. Do not use a power tool while you are tired or under the influence of drugs, alcohol or medication. A moment of inattention while operating power tools may result in serious personal injury.
- Use safety equipment. Always wear eye protection. Safety equipment such as dust mask, non-skid safety shoes, hard hat, or hearing protection used for appropriate conditions will reduce personal injuries.
- Avoid accidental starting. Ensure the switch is in the off position before plugging in. Carrying power tools with your finger on the switch or plugging in power tools that have the switch on invites accidents.
- Remove any adjusting key or wrench before turning the power tool on. A wrench or a key left attached to a rotating part of the power tool may result in personal injury.
- Do not overreach. Keep proper footing and balance at all times. This enables better control of the power tool in unexpected situations.
- Dress properly. Do not wear loose clothing or jewellery. Keep your hair, clothing and gloves away from moving parts. Loose clothes, jewellery or long hair can be caught in moving parts.
- If devices are provided for the connection of dust extraction and collection facilities, ensure these are connected and properly used. Use of these devices can reduce dust related hazards.

### 4) POWER TOOL USE AND CARE

- Do not force the power tool. Use the correct power tool for your application. The correct power tool will do the job better and safer at the rate for which it was designed.
- Do not use the power tool if the switch does not turn it on and off. Any power tool that cannot be controlled with the switch is dangerous and must be repaired.
- Disconnect the plug from the power source before making any adjustments, changing accessories, or storing power tools. Such preventive safety measures reduce the risk of starting the power tool accidentally.
- Store idle power tools out of the reach of children and do not allow persons unfamiliar with the power tool or these instructions to operate the power tool. Power tools are dangerous in the hands of untrained users.
- Maintain power tools. Check for misalignment or binding of moving parts, breakage of parts and any other condition that may affect the power tools

## 3. PARTS AND ACCESSORIES

### 4. PRIOR TO FIRST USE

operation. If damaged, have the power tool repaired before use. Many accidents are caused by poorly maintained power tools.

- Keep cutting tools sharp and clean. Properly maintained cutting tools with sharp cutting edges are less likely to bind and easier to control.
- Use the power tool, accessories and tool bits etc., in accordance with these instructions and in the manner intended for the particular type of power tool, taking into account the working conditions and the work to be performed. Use of the power tool for operations different from intended could result in a hazardous situation.

### 5) SERVICE

- Have your power tool serviced by a qualified repair person using only identical replacement parts. This will ensure that the safety of the power tool is maintained.

#### Additional safety instructions for your electric drill

- Do not use the electric power tool with a damaged cable. Do not move the damaged cable, and pull out the power plug if the cable becomes damaged during operation. Damaged cables increase the risk of electric shock.
- If the replacement of the supply cord is necessary, this has to be done by the manufacturer or his agent in order to avoid a safety hazard.
- Materials containing asbestos may not be worked on. Fine dust particles can remain in the air, despite the installation of a dust vacuum, and can greatly endanger your health.

---

### PARTS AND ACCESSORIES

---

- |                                   |                      |
|-----------------------------------|----------------------|
| 1. Chuck                          | 5. Changeover switch |
| 2. Left/right rotation switch L/R | 6. Attachable handle |
| 3. On/off button                  | 7. Depth gauge       |
| 4. Lock-on button                 | 8. Rotating button   |

---

### PRIOR TO FIRST USE

---

**Danger of injury!** Before all adjustments and settings:

- Turn the machine off.
- Wait until the machine has come to a complete standstill.
- Pull out the power plug.

**Attachable handle. Never use the impact drill without the attachable handle!**

The attachable handle provides additional support and allows you to work exhaustion-free. The attachable handle is intended for both right-and left-handed persons.

- Loosen the handle of the attachable handle (6) by turning it counter-clockwise.
- Guide the drill chuck (1) of the impact drill through the attachable handle.
- Then turn the attachable handle to the position which is best for you.
- Turn the handle clockwise until the attachable handle sits tightly and can no longer be moved.

## 5. OPERATION

### Depth gauge

With the depth gauge, you can drill several holes with the same drilling depth.

- Loosen the rotating button (8) to release depth gauge (7).
- Guide the depth gauge (7) through the opening on the attachable handle.
- To set the desired drilling depth.
- Pull the depth gauge out far enough so that the distance between the point of the drill and the point of the depth stopper is the desired drilling depth.
- Tighten the rotating button (8) to lock depth gauge (7).

### Inserting the drill

- Place the drill socket key in one of the side holes of the drill socket and turn the drill socket clockwise.
- Select a designated drill and push it as far as possible into the drill socket opening.
- Tighten the drill socket by turning it counter-clockwise. Make sure that the drill is secure in the drill socket.
- Conduct a short test-run and make sure that the drill is tightly secured even after a complete run.

### Using screw tools

When using screw bits, you should always use a universal bit holder.

Only use screw bits which are compatible with the screw head. Make sure that the screw tools are only used with reduced rotation speed.

---

## OPERATION

---

### Changeover switch (drilling/ impact drilling)

Set the changeover switch (5) only when the impact drill is at a standstill.

- **Drilling operation mode:** Set the changeover switch (5) on the Drill position to work on wood, metal, plastic materials or for screwing.
- **Impact drilling operation mode:** Set the changeover switch (5) on the Hammer position to work on concrete, stone, or brick.

### Drilling concrete and brick

Use the hard metal drill and a high rotation speed.

### Drilling steel

Use the HSS drill (HSS: high-alloy quick-working steel) and a low rotation speed.

### Screwing in/ loosening screws

Use a low rotation speed.

### Drilling holes

When you would like to drill deep holes in hard materials, such as steel, we recommend that you first pre-drill the hole with a small drill.

### Turning on/off

- Connect the power plug to a power outlet.
- Attach the drilling machine directly to the drill spot.
- Press and hold the on/off button (3) to turn the machine on.

## 6. CARE AND MAINTENANCE

- To turn the machine off, let go of the on/off button (3).

### Long duration operation

**Danger of injury !** Should the machine should fall out of your hand during long duration operation, it will not automatically shut off. In this situation, immediately pull out the power plug and turn the machine off. To ensure a safe long duration operation:

- Hold the machine securely at all times.
- Always keep one finger on the on/off button to be able to turn it off quickly.

For long duration operation, you can push the lock-on button (4) once.

The on/off button (3) must be pressed for this. The machine will stay on until the on/off button is pushed quickly once again.

### Setting the rotation speed

By pressing the on/off button (3), you can set the rotation speed during idle operation. The optimal rotation speed depends on the material drilled, the operation mode, and the inserted drill.

Light pressure on the on/off button: low rotation speed

Greater pressure on the on/off button: higher rotation speed

### Selecting the rotation direction

- Do not set the left/right rotation switch during drilling.
- The rotation direction is always according to the switch position.
- Switch position R: right-rotation/forward/clockwise. To drill and to screw in screws, push the right/left rotation switch (2) all the way to the right.
- Switch position L: left-rotation/backward/counter-clockwise. To loosen or pull out screws and nuts, push the right/left rotation switch (2) to the left until the stopper.

### Cooling the motor

If the motor has intensely overheated, allow it to run idle for 2 to 3 minutes on maximum rotation speed.

---

## CARE AND MAINTENANCE

---

### Danger of injury! Before all care and maintenance work:

- Turn the machine off. Wait until the machine has come to a complete standstill.
- Pull out the power plug.

**Cleaning.** Clean the machine regularly after each use from dust, shaving, wood splinters, etc. Clean the machine with a moist cloth and some soft soap. Do not use any detergents or solution; these may cause corrosion of the plastic parts of the machine. Make sure that no water reaches the inside of the machine.

**Servicing.** There are no parts on the inside of the machine which require maintenance by the user. Should the machine fail to function after a long operation time, have it checked by a technician.

### Replacement parts. Danger of accident!

- Parts which were not reviewed and approved by the manufacturer can damage the machine and can cause serious injuries.
- Use only original parts for replacing old parts, particularly for safety mechanisms and cutting tools.

## 7. TECHNICAL DATA

### 8. CE DECLARATION OF CONFORMITY

#### TECHNICAL DATA

Model	DP750
Operating power	220-240V~50/60 Hz
Capacity	750W
Idle rotation speed n.	0-3000/min
Chuck capacity	13 mm
Weight	2,3 kg
Maximum drilling depth:	
Wood	25 mm
Steel	13 mm
Concrete	13 mm

#### Noise and vibration information

Noise emission (measured values determined according to EN 62841):

A-weighted sound pressure level $L_{pA}$	98,06 dB(A)
Uncertainty $K_{pA}$	3.0 dB
A-weighted sound power level $L_{wA}$	109,06 dB(A)
Uncertainty $K_{wA}$	3.0 dB

#### Wear hearing protection!

#### Vibration emission

Total vibration values (vector sum in the three axes) determined according to EN 62841

Vibration emission value $a_{hID}$	17,1 m/s <sup>2</sup>
Uncertainty K	1.5 m/s <sup>2</sup>

#### CE DECLARATION OF CONFORMITY

We STATUS ITALIA S.R.L. as the responsible manufacturer declare that the following STATUS machine(s): Impact Drill Model No./ Type: DP750 are of series production and conforms to the following European Directives: 2014/30/EU, 2006/42/EC

And are manufactured in accordance with the following standards or standardised documents:

EN62841-1:2015, EN62841-2-1:2018, EK9-BE-87:2014, EK9-BE-88:2014, AfPS GS 2014:01 PAK, EN55014-1:2017, EN55014-2:2015, EN61000-3-2:2014, EN61000-3-3:2013

The technical documentation kept by the manufacturer: STATUS ITALIA S.R.L., via Aldo Moro, 14/A, 36060 - Pianezze (VI), ITALY

Caron Giacinto  
Director  
STATUS ITALIA S.R.L.

## 1. ALLGEMEINE SICHERHEITSHINWEISE

#### ALLGEMEINE SICHERHEITSHINWEISE

**WARNUNG:** Lesen Sie alle Sicherheitshinweise und Anweisungen. Versäumnisse bei der Einhaltung der Sicherheitshinweise und Anweisungen können elektrischen Schlag, Brand und/oder schwere Verletzungen verursachen.

**Bewahren Sie alle Sicherheitshinweise und Anweisungen für die Zukunft auf.** Der in den Sicherheitshinweisen verwendete Begriff „Elektrowerkzeug“ bezieht sich auf netzbetriebene Elektrowerkzeuge (mit Netzkabel) und auf akkubetriebene Elektrowerkzeuge (ohne Netzkabel).

#### ARBEITSPLATZSICHERHEIT

- **Halten Sie Ihren Arbeitsbereich sauber und gut beleuchtet.** Unordnung oder unbeleuchtete Arbeitsbereiche können zu Unfällen führen.
- **Arbeiten Sie mit dem Elektrowerkzeug nicht in explosionsgefährdeter Umgebung, in der sich brennbare flüssigkeiten, Gase oder Stäube befinden.** Elektrowerkzeuge erzeugen Funken, die den Staub oder die Dämpfe entzünden können.
- **Halten Sie Kinder und andere Personen während der Benutzung des Elektrowerkzeugs fern.** Bei Ablenkung können Sie die Kontrolle über das Gerät verlieren.

#### ELEKTRISCHE SICHERHEIT

- **Der Anschlussstecker des Elektrowerkzeuges muss in die Steckdose passen. Der Stecker darf in keiner Weise verändert werden. Verwenden Sie keine Adapterstecker gemeinsam mit schutzgeerdeten Elektrowerkzeugen.** Unveränderte Stecker und passende Steckdosen verringern das Risiko eines elektrischen Schlages.
- **Halten Sie das Elektrowerkzeug auf den isolierten Oberflächen, während Sie Arbeiten ausführen, in Fällen, in denen das Schneidwerkzeug direkt mit verborgenen Stromkabeln in Kontakt kommen kann oder ein Netzkabel stören kann.**
- **Vermeiden Sie Körperkontakt mit geerdeten Oberflächen wie von Rohren, Heizungen, Herden und Kühlschränken.** Es besteht ein erhöhtes Risiko durch elektrischen Schlag, wenn Ihr Körper geerdet ist.
- **Halten Sie Elektrowerkzeuge von Regen oder Nässe fern.** Das Eindringen von Wasser in ein Elektrowerkzeug erhöht das Risiko eines elektrischen Schlages.
- **Zweckentfremden Sie das Kabel nicht, um das Elektrowerkzeug zu tragen, aufzuhängen oder um den Stecker aus der Steckdose zu ziehen. Halten Sie das Kabel fern von Hitze, Öl, scharfen Kanten oder sich bewegenden Geräteteilen.** Beschädigte oder verwickelte Kabel erhöhen das Risiko eines elektrischen Schlages.
- **Wenn Sie mit einem Elektrowerkzeug im freien arbeiten, verwenden Sie nur Verlängerungskabel, die auch für den Außenbereich geeignet sind.**
- **Wenn der Betrieb des Elektrowerkzeuges in feuchter Umgebung nicht vermeidbar ist, verwenden Sie einen fehlerstromschutzschalter.**

#### SICHERHEIT VON PERSONEN

- **Seien Sie aufmerksam, achten Sie darauf, was Sie tun, und gehen Sie mit Vernunft an die Arbeit mit einem Elektrowerkzeug. Benutzen Sie kein**

## 1. ALLGEMEINE SICHERHEITSHINWEISE

**Elektrowerkzeug, wenn Sie müde sind oder unter dem Einfluss von Drogen, Alkohol oder Medikamenten stehen.** Ein Moment der Unachtsamkeit beim Gebrauch des Elektrowerkzeuges kann zu ernsthaften Verletzungen führen.

• **Tragen Sie persönliche Schutzausrüstung und immer eine Schutzbrille.**

Das Tragen persönlicher Schutzausrüstung, wie Staubmaske, rutschfeste Sicherheitsschuhe, Schutzhelm oder Gehörschutz, je nach Art und Einsatz des Elektrowerkzeuges, verringert das Risiko von Verletzungen.

• **Vermeiden Sie eine unbeabsichtigte Inbetriebnahme. Vergewissern Sie sich, dass das Elektrowerkzeug ausgeschaltet ist, bevor Sie es an die Stromversorgung und/oder den Akku anschließen, es aufnehmen oder tragen.** Wenn Sie beim Tragen des Elektrowerkzeuges den Finger am Schalter haben oder das Gerät eingeschaltet an die Stromversorgung anschließen, kann dies zu Unfällen führen.

• **Entfernen Sie Einstellwerkzeuge oder Schraubenschlüssel, bevor Sie das Elektrowerkzeug einschalten.** Ein Werkzeug oder Schlüssel, der sich in einem drehenden Geräteteil befindet, kann zu Verletzungen führen.

• **Vermeiden Sie eine abnormale Körperhaltung. Sorgen Sie für einen sicheren Stand und halten Sie jederzeit das Gleichgewicht.** Dadurch können Sie das Elektrowerkzeug in unerwarteten Situationen besser kontrollieren.

• **Tragen Sie geeignete Kleidung. Tragen Sie keine weite Kleidung oder Schmuck. Halten Sie Haare, Kleidung und Handschuhe fern von sich bewegendenden Teilen.** Lockere Kleidung, Schmuck oder lange Haare können von sich bewegendenden Teilen erfasst werden.

• **Wenn Staubabsaug- und -auffangeinrichtungen montiert werden können, vergewissern Sie sich, dass diese angeschlossen sind und richtig verwendet werden.** Verwendung einer Staubabsaugung kann Gefährdungen durch Staub verringern.

### VERWENDUNG UND BEHANDLUNG DES ELEKTROWERKZEUGES

• **Überlasten Sie das Gerät nicht. Verwenden Sie für Ihre Arbeit das dafür bestimmte Elektrowerkzeug.** Mit dem passenden Elektrowerkzeug arbeiten Sie besser und sicherer im angegebenen Leistungsbereich.

• **Benutzen Sie kein Elektrowerkzeug, dessen Schalter defekt ist.**

Ein Elektrowerkzeug, das sich nicht mehr ein- oder ausschalten lässt, ist gefährlich und muss repariert werden.

• **Ziehen Sie den Stecker aus der Steckdose und/oder entfernen Sie den Akku, bevor Sie Geräteeinstellungen vornehmen, Zubehörteile wechseln oder das Gerät weglegen.** Diese Vorsichtsmaßnahme verhindert den unbeabsichtigten Start des Elektrowerkzeuges.

• **Bewahren Sie unbenutzte Elektrowerkzeuge außerhalb der Reichweite von Kindern auf.** Lassen Sie Personen das Gerät nicht benutzen, die mit diesem nicht vertraut sind oder diese Anweisungen nicht gelesen haben. Elektrowerkzeuge sind gefährlich, wenn Sie von unerfahrenen Personen benutzt werden.

• **Pflegen Sie Elektrowerkzeuge mit Sorgfalt. Kontrollieren Sie, ob bewegliche Teile einwandfrei funktionieren und nicht klemmen, ob Teile gebrochen oder**

## 2. ZUSÄTZLICHE SICHERHEITSHINWEISE

so beschädigt sind, dass die Funktion des Elektrowerkzeuges beeinträchtigt ist. Lassen Sie beschädigte Teile vor dem Einsatz des Gerätes reparieren. Viele Unfälle haben ihre Ursache in schlecht gewarteten Elektrowerkzeugen.

• **Halten Sie Schneidwerkzeuge scharf und sauber.** Sorgfältig gepflegte Schneidwerkzeuge mit scharfen Schneidkanten verklemmen sich weniger und sind leichter zu führen.

• **Verwenden Sie Elektrowerkzeug, Zubehör, Einsatzwerkzeuge usw. entsprechend diesen Anweisungen. Berücksichtigen Sie dabei die Arbeitsbedingungen und die auszuführende Tätigkeit.** Der Gebrauch von Elektrowerkzeugen für andere als die vorgesehenen Anwendungen kann zu gefährlichen Situationen führen.

### SERVICE

• **Lassen Sie Ihr Elektrowerkzeug nur von qualifiziertem Fachpersonal und nur mit Original-Ersatzteilen reparieren.** Damit wird sichergestellt, dass die Sicherheit des Elektrowerkzeuges erhalten bleibt.

### ZUSÄTZLICHE SICHERHEITSHINWEISE

• **Tragen Sie Gehörschutz bei der Benutzung von Schlagbohrmaschinen.**

Die Einwirkung von Lärm kann Gehörverlust bewirken.

• **Benutzen Sie die mit dem Gerät gelieferten Zusatzhandgriffe.** Der Verlust der Kontrolle über die Maschine kann zu Verletzungen führen.

• **Verwenden Sie während der Arbeit geeignete Augenschutzmittel um sich vor fliegenden Teilchen zu schützen.** Tragen Sie eine Schutzbrille.

• **Treffen Sie Schutzmaßnahmen gegen das Einatmen von Staub.** Manche Werkstoffe können toxische Bestandteile enthalten. Tragen Sie eine Staubschutzmaske.

• **Halten Sie das Gerät nur an den isolierten Griffflächen, wenn Sie Arbeiten ausführen, bei denen das Einsatzwerkzeug verborgene Stromleitungen oder das eigene Netzkabel treffen kann.** Der Kontakt mit einer spannungsführenden Leitung kann auch metallene Geräteteile unter Spannung setzen und zu einem elektrischen Schlag führen.

• Bearbeiten Sie keine Werkstoffe die Asbest enthalten.

**WARNUNG:** Bevor Sie das Elektrogerät an das Stromnetz anschließen, überzeugen Sie sich, dass die Versorgungsspannung der angegebenen Spannung auf der Tabelle mit den technischen Daten (auf dem Typenschild) des Elektrogeräts entspricht.

**WARNUNG:** Schalten Sie das Elektrowerkzeug vor jeglichen Einstellungs-, Wartungs- und Reparaturarbeiten aus und trennen Sie es vom Netz. Das gleiche gilt bei Stromausfall (Gefahr des unbeabsichtigten Wiederanlaufens).

• Überprüfen Sie vor dem Beginn der Arbeit die Stelle die sie anbohren wollen mit einem geeigneten Metallsuchgerät auf versteckte Strom-, Gas- oder Wasserleitungen. Die Berührung des Bohrers mit einer verborgenen Elektroinstallation kann einen Brand oder eine Verletzung durch den elektrischen Strom hervorrufen. Der Schaden an einer Gasleitung kann eine Explosion hervorrufen. Das Durchbrechen einer Wasserleitung wird einen Wasserschaden oder eine Verletzung durch elektrischen Strom hervorrufen.

#### **ARBEITSHINWEISE**

Dieses Elektrowerkzeug wird mit einphasiger Wechselspannung versorgt. Man kann es an Kontaktsteckdosen ohne Schutzklemmen anschließen.

Es ist nach EN 60745-1 und IEC 60745 doppelt isoliert. Die Funkstörungen entsprechen der EMV-Richtlinie zur Elektromagnetischen Verträglichkeit.

Diese Elektrowerkzeuge sind zum Bohren in Beton (und andere bröckelige Materialien), Stahl, Holz u.a. bestimmt.

#### **BEVOR SIE MIT DER ARBEIT BEGINNEN**

- Überprüfen Sie ob die Spannung des Versorgungsnetzes der auf dem Typenschild mit den technischen Daten des Elektrowerkzeuges angegebenen Spannung entspricht.
- Überprüfen Sie in welcher Stellung der sich Schalter befindet. Das Gerät darf nur mit ausgeschaltet ans Netz angeschlossen und vom Netz getrennt werden. Falls Sie den Netzstecker in die Steckdose stecken wenn das Gerät eingeschaltet ist wird es sofort beginnen anzulaufen was die Voraussetzung für einen schweren Unfall sein kann.
- Überzeugen Sie sich vom ordnungsgemäßen Zustand des Versorgungskabels und des Steckers. Falls das Versorgungskabel beschädigt ist, darf es nur vom Hersteller oder einem autorisierten Servicefachmann ausgetauscht werden um eventuelle Gefährdungen zu vermeiden.

**WARNUNG:** Schalten Sie das Elektrowerkzeug vor jeglichen Einstellungs-, Wartungs- und Reparaturarbeiten aus und trennen Sie es vom Netz. Das gleiche gilt bei Stromausfall (Gefahr des unbeabsichtigten Wiederanlaufens).

- Wenn die Arbeitszone von der Stromquelle entfernt ist, benutzen Sie ein so kurz wie möglich Verlängererkabel mit geeignetem Querschnitt.
- Überprüfen Sie ob der Zusatzhandgriff richtig sitzt und festgezogen ist.

**WARNUNG:** Überprüfen Sie vor dem Arbeitsbeginn immer die Drehrichtung. Benutzen Sie den Hebel zum Wechseln der Drehrichtung nur wenn die Spindel ihre Drehung ganz gestoppt hat. Die Änderung der Drehrichtung vor dem endgültigen Stoppen der Spindel kann das Elektrowerkzeug beschädigen.

#### **ELEMENTE DES ELEKTROWERKZEUGS**

Vor dem Beginn der Arbeit mit der Bohrmaschine machen Sie sich mit allen operativen Besonderheiten und Sicherheitsbedingungen bekannt. Benutzen Sie das Elektrowerkzeug und das Zubehör dazu nur zweckmäßig. Jede andere Anwendung ist ausdrücklich verboten.

1. Bohrfutter
2. Drehrichtungsumschalthebel
3. Ein-Aus-Schalter
4. Schalterfeststellknopf
5. Betriebsartenumschalter
6. Zusatzgriff
7. Tiefenanschlag
8. Limiter Schraube

#### **EIN- UND AUSSCHALTEN**

##### **Momentschaltung:**

- Einschalten: Ein-Aus-Schalter (3) drücken.
- Ausschalten: Ein-Aus-Schalter (3) loslassen.

##### **Dauerschaltung:**

- Einschalten: Ein-Aus-Schalter (3) drücken und bei gedrückter Stellung mit dem Feststellknopf (4) arretieren.
- Ausschalten: Ein-Aus-Schalter (3) kurzzeitig drücken und sofort loslassen.

#### **STUFENLOSE ELEKTRONISCHE DREHZAHLREGELUNG**

Durch leichtes Drücken des Ein-Aus-Schalters (3) wird die Maschine mit niedrigen Drehzahlen angefahren. Die Drehzahl wird durch Anheben des Druckes auf den Ein-Aus-Schalter bis zum Anschlag stufenlos bis max erhöht

#### **DREHRICHTUNGSWECHSEL**

Die Endstellung des Hebels (2) nach rechts bedeutet Drehen in Richtung Uhrzeigersinn, die Endstellung nach links - entgegengesetzt.

Bei gedrücktem Ein-Aus-Schalter (3) kann der Hebel (2) nicht betätigt werden.

Ein Drehrichtungswechsel kann nur bei Stillstand der Maschine erfolgen.

#### **BETRIEBSARTENUMSCHALTUNG**

- Bohren in Metall, Holz u.a. Der Umschalter (5) ist in Endstellung nach rechts und das Zeichen "Bohrer" ist sichtbar.
- Bohren in Beton, Gestein u.a. Der Umschalter (5) ist in Endstellung nach links und das Zeichen "Hammer" ist sichtbar.

Die Betriebsartenumschaltung kann auch bei laufender Bohrmaschine erfolgen.

#### **EINSETZEN UND FESTZIEHEN EINES BOHRERS**

Durch Drehen am Kranz des Bohrfutters (1) in Richtung Uhrzeigersinn oder entgegengesetzt bewegen sich die Backen zu einer solchen Stellung, dass der Bohrer zwischen ihnen eingeführt werden kann. Durch Drehen am Kranz des Bohrfutters (1) in Richtung Uhrzeigersinn wird der Schaft des Bohrers eingeklemmt. Durch den Bohrfutterschlüssel wird der Bohrer endgültig im Bohrfutter verspannt, wobei man gleichmäßig an den drei Öffnungen anziehen soll.

#### **DEMONTAGE DES BOHRFUTTERS**

Die Backen des Bohrfutters (1) soweit wie möglich öffnen. Mit einem Schraubenzieher die Sicherungsschraube mit Linksgewinde lösen. Die Stelle zur Fixierung der Spindel mit einem Schraubenschlüssel erfassen.

Den Sonderschlüssel zum Festziehen des Bohrfutters in eine der drei Öffnungen einlegen. Durch Drehen in Richtung entgegengesetzt dem Uhrzeigersinn das Bohrfutter (1) von der Spindel aufdrehen, wobei der Schlüssel als Hebel benutzt wird.

#### **ZUSATZGRIFF**

Der Zusatzgriff (6) wird am Hals an die Maschine eingedreht.

Aus Sicherheitsgründen soll der Zusatzgriff stets benutzt werden.

Durch das Anschlaglineal (7) wird die Bohrtiefe bestimmt.

## 4. WARTUNG

### EMPFEHLUNGEN ZUR ARBEIT MIT DER BOHRMASCHINE:

Bei Betonbohrung einen mäßigen Druck anwenden! Der starke Druck steigert die Bohrleistung nicht, führt aber zur Verkürzung der Lebensdauer des Elektrowerkzeugs. Bei den Maschinen mit elektronischem Regler mit niedrigerer Drehzahl als die maximale bohren, indem Sie die Drehzahl in Abhängigkeit vom Material wählen. Hartmetallbestückte Bohrer verwenden. Nur Bohrer mit zylindrischen Schaft einspannen.

Von Zeit zu Zeit den Bohrer aus der Bohrung ziehen, um den Staub zu beseitigen. Auf die Abnutzung des Bohrers achten und ihn auswechseln, wenn eine wesentliche Absenkung der Leistungsfähigkeit festgestellt wird.

Bohrungen mit großem Durchmesser zuerst mit einem kleineren Bohrer vorbohren. Der optimale Bereich beim Bohren in Beton ist bis 8 mm, und der mögliche Bereich ist bis 13 mm.

### ZUBEHÖR, DAS MIT DIESEM ELEKTROWERKZEUG BENUTZT WERDEN KANN

- Metallbohrer mit Durchmesser von Ø1,5 bis Ø13 mm
- Holzbohrer mit Durchmesser von Ø3 bis Ø25 mm
- Betonbohrer mit Durchmesser von Ø3 bis Ø13 mm

**WARNUNG:** Zur Arbeit mit diesem Elektrowerkzeug wird nur das oben angegebene Zubehör empfohlen. Das Benutzen von Einrichtungen oder Zubehör, die anders als die angegebenen sind, stellt eine Voraussetzung für Arbeitsunfall dar. Benutzen Sie Zubehör und Einrichtungen nur zweckmäßig.

Falls Sie zusätzliche Informationen betreffend dieses Zubehör brauchen, wenden Sie sich an den örtlichen STATUS-Service.

### WARTUNG

**WARNUNG:** Vor jeder Wartung oder Überprüfung das Elektrowerkzeug immer ausschalten und den Stecker aus der Steckdose ziehen.

### ALLGEMEINE ÜBERPRÜFUNG

Überprüfen Sie regelmäßig alle Befestigungselemente um sich zu überzeugen, dass sie fest angezogen sind. Falls einige der Schrauben lose sind, sofort festziehen, um Risikosituationen zu vermeiden. Falls das Versorgungskabel beschädigt ist, darf es nur vom Hersteller oder einem autorisierten Servicefachmann ausgetauscht werden um eventuelle Gefährdungen zu vermeiden.

### REINIGUNG

Für den sicheren Betrieb die Maschine und die Belüftungsöffnungen immer sauber halten. Regelmäßig überprüfen, ob in die Belüftungsöffnungen des Motors oder um die Umschalter Staub oder Fremdkörper eingedrungen sind.

Weichte Bürste und/oder Druckluft für die Entfernung des Staubes verwenden.

Um die Augen während der Reinigung zu schützen, Schutzbrille tragen.

Das Gehäuse der Maschine gegebenenfalls mit einem weichen feuchten Tuch abwischen. Hierfür kann zusätzlich eine schwache Reinigungslösung (Spülmittel) verwendet werden.

## 5. TECHNISCHE DATEN

## 6. KONFORMITÄTSERKLÄRUNG

**WARNUNG:** Die Verwendung von Benzin oder anderen Lösungsmitteln ist unzulässig. Nie ätzende Präparate für die Reinigung der Kunststoffteile verwenden.

**WARNUNG:** Vermeiden Sie unbedingt das Wasser in die Maschine (z.B. durch die Lüftungsschlitze) eindringt.

**WICHTIG!** Um einen sicheren Betrieb des Elektrowerkzeuges und seine Zuverlässigkeit zu gewährleisten, sollten alle Arbeiten zur Reparatur, Wartung und Regelung (einschl. auch die Überprüfung und das Auswechseln der Bürsten) nur in den zuständigen Kundendiensten von STATUS beim Verwenden von Originalersatzteilen durchgeführt werden.

### TECHNISCHE DATEN

Modell	DP750
Nennaufnahme	750W
Leerlaufdrehzahl	0-3000/min
Bohrfutterkapazität	13 mm
Gewicht	2,3 kg
Max. Bohrdurchmesser:	Holz - 25 mm, Stahl - 13 mm, Beton - 13 mm.

### GERÄUSCH-/VIBRATIONSinFORMATION

Messwerte ermittelt entsprechend EN 61841.

Der A-bewertete Schalldruckpegel  $L_{pA}$  - 98,06 dB(A) Unsicherheit  $K_{pA}$  3.0 dB

Der A-bewertete Schalleistungspegel  $L_{WA}$  - 109,06 dB(A) Unsicherheit  $K_{WA}$  3.0 dB

### Schwingungsemissionswerte

Schwingungsgesamtwerte (EN 62841)

Schwingungsemissionswert	$a_h$ - 17,1 m/s <sup>2</sup>
Unsicherheit	K - 1.5 m/s <sup>2</sup>

### KONFORMITÄTSERKLÄRUNG

Hiermit versichern wir unsere persönliche Haftung, dass dieses Erzeugnis allen einschlägigen Bestimmungen folgender Richtlinien und entsprechender harmonisierten Standards entspricht: 2014/30/EU, 2006/42/EC  
And are manufactured in accordance with the following standards or standardised documents:

EN62841-1:2015, EN62841-2-1:2018, EK9-BE-87:2014, EK9-BE-88:2014, AfPS GS 2014:01 PAK, EN55014-1:2017, EN55014-2:2015, EN61000-3-2:2014, EN61000-3-3:2013

Die technischen Unterlagen werden bei STATUS ITALIA S.R.L., via Aldo Moro, 14/A, 36060 - Pianezze (VI), ITALY, aufbewahrt.

Caron Giacinto  
Director  
STATUS ITALIA S.R.L.



### **ISTRUZIONI GENERALI DI SICUREZZA**

**AVVERTENZA!** Leggere tutte le istruzioni d'uso e le avvertenze di sicurezza. L'inosservanza delle istruzioni seguenti può causare folgorazioni, incendi e/o gravi danni a persone.

**Conservare con cura queste istruzioni.** Il termine "utensile" in tutte le avvertenze successive si riferisce sia agli utensili collegati alla rete elettrica (con cavo di alimentazione) che agli utensili a batteria (senza cavo).

#### **AREA DI LAVORO**

- **Mantenere l'area di lavoro pulita e ben illuminata.** Le zone buie ed ingombre di oggetti favoriscono incidenti.
- **Non utilizzare l'utensile in presenza di liquidi infiammabili, gas o polvere.** Le scintille generate potrebbero infiammare polvere e/o vapore.
- **Tenere a distanza bambini e terzi durante il funzionamento.** Per una distrazione potreste perdere il controllo dell'utensile.

#### **SICUREZZA ELETTRICA**

- **La spina dell'utensile deve essere adatta alla presa utilizzata. Non modificare la spina in alcun modo. Non utilizzare adattatori con gli utensili collegati a terra.** L'impiego di una spina integra ed una presa adatta riduce i rischi di folgorazione.
- **Tenere l'utensile elettrico sulle superfici isolate durante l'esecuzione di qualsiasi operazione, nel caso in cui l'utensile da taglio possa toccare direttamente i conduttori di alimentazione nascosti o interferire con un cavo di alimentazione.**
- **Evitare di toccare con il corpo le superfici collegate a terra quali tubi, radiatori, forni e frigoriferi.** Il rischio di folgorazione aumenta se il corpo è collegato a terra.
- **Non esporre l'utensile alla pioggia e all'umidità.** La penetrazione d'acqua nell'utensile aumenta il rischio di folgorazione.
- **Non utilizzare il cavo per scopi diversi da quello previsto. Non utilizzare il cavo per trasportare o tirare l'utensile, oppure per staccare la spina dalla presa. enere il cavo lontano da fonti di calore, olio, parti appuntite o in movimento.** Cavi danneggiati o attorcigliati aumentano il rischio di folgorazione.
- **Se l'utensile viene utilizzato all'aperto, usare una prolunga adatta all'uso esterno.** L'impiego di una prolunga da esterno reduce il rischio di folgorazione.
- **Se il lavoro in una ambiente umido è strettamente necessario, utilizzare una presa protetta da dispositivo a corrente residua.** Ciò reduce i rischi di scosse.

#### **SICUREZZA PERSONALE**

- **L'uso di elettroscandali richiede attenzione e buon senso. Non utilizzare gli utensili se si è stanchi o sotto l'effetto di droghe, alcol o medicinali.** Una breve disattenzione può provocare gravi danni alle persone.
- **Munirsi di indumenti e dispositivi di protezione. Indossare sempre occhiali da lavoro.** L'uso di dispositivi di protezione tra cui mascherina antipolvere, scarpe antiscivolo, casco e protezioni per l'udito reduce il rischio di danni a persone.

- **Evitare l'accensione accidentale. Accertarsi che l'interruttore sia in posizione "OFF" prima di inserire la spina.** Se si trasportano gli utensili con il dito sull'interruttore o si inserisce la spina nella presa con l'interruttore in posizione "ON" aumenta il rischio di incidenti.
- **Togliere tutte le chiavi di regolazione prima di accendere l'utensile.** Una chiave lasciata inserita in una parte rotante di un utensile può provocare danni a persone.
- **Non utilizzare l'utensile in condizioni estreme. Mantenere sempre l'equilibrio ed i piedi ben appoggiati a terra.** Questo consente un maggior controllo dell'utensile in caso di imprevisti.
- **Indossare un abbigliamento adeguato. Non indossare abiti svolazzanti o gioielli. Tenere capelli, vestiti, e guanti lontani dalle parti in movimento.** Abiti svolazzanti, gioielli o capelli potrebbero impigliarsi nelle parti in movimento.
- **In presenza di apparecchiature per il collegamento a dispositivi di aspirazione e raccolta delle polveri, accertarsi che essi siano collegati ed utilizzarli correttamente.** L'uso di queste apparecchiature può ridurre i rischi causati dalla polvere.

#### **USO E MANUTENZIONE DELL'UTENSILE**

- **Utilizzare l'utensile più adatto per il lavoro da svolgere.** L'impiego dell'utensile giusto migliora la qualità del lavoro e la sicurezza.
- **Non utilizzare l'utensile se non è possibile accenderlo e spegnerlo con l'apposito interruttore.** Gli utensili che non possono essere controllati con l'interruttore sono pericolosi e devono essere riparati.
- **Staccare la spina dall'alimentazione di corrente prima di eseguire regolazioni, cambiare accessori o riporre l'utensile.** Osservando queste precauzioni si reduce il rischio di accensione accidentale dell'utensile.
- **Riporre gli utensili non utilizzati fuori dalla portata dei bambini e non consentirne l'utilizzo a persone che non conoscono l'utensile o queste istruzioni.**
- **Sottoporre l'utensile a manutenzione.** Verificare il corretto allineamento di tutte le parti mobili, controllare che non siano grippate e che non vi siano rotture o altri guasti che potrebbero influire sul funzionamento dell'utensile. Far riparare gli utensili danneggiati prima di riutilizzarli.
- **Tenere le punte e gli strumenti da taglio puliti ed affilati.** Se sottoposti ad una regolare manutenzione e pulizia consentono di lavorare in modo più preciso e sono maggiormente controllabili.
- **Utilizzare l'utensile, gli accessori, gli attrezzi etc. secondo quanto indicato in queste istruzioni nonché tenendo in considerazione le condizioni di lavoro e il lavoro da eseguire.** L'impiego di utensili per scopi diversi da quelli per cui sono stati progettati può dare origine a situazioni pericolose.

#### **MANUTENZIONE**

- **Far riparare l'utensile da personale qualificato che utilizzi solo parti di ricambio originali.** In caso contrario la sicurezza dell'utensile potrebbe risultare compromessa.

## 2. ISTRUZIONI SUPPLEMENTARI DI SICUREZZA NEL LAVORO CON TRAPANI

### **ISTRUZIONI SUPPLEMENTARI DI SICUREZZA NEL LAVORO CON TRAPANI**

**Usare mezzi per protezione dell'udito nel lavoro con trapani battenti.** Il rumore intenso durante il lavoro può provocare lesioni all'udito.

• **Usare sempre l'impugnatura supplementare fornita con la macchina.**

La perdita di controllo può provocare infortunio sul lavoro.

**Usare durante il lavoro mezzi per protezione della vista, per proteggersi da corpuscoli volanti.** Indossare occhiali protettivi.

**Prendere precauzioni contro l'inalazione di polvere.** Alcuni materiali possono contenere ingredienti tossici. Indossare maschera antipolvere. Usare un dispositivo di depolverizzazione, se il suo collegamento all'elettrotensile risulta possibile.

• **Tenere l'elettrotensile soltanto per le superfici isolate da prendere, nell'esecuzione di un'operazione in cui l'accessorio di taglio potrebbe toccare un impianto elettrico nascosto, o il proprio cordone.** Il contatto dell'accessorio di taglio con un conduttore sotto tensione metterà sotto tensione le parti metalliche aperte dell'elettrotensile, e l'operatore subirà una scossa elettrica.

• Non lavorare materiali contenenti amianto. L'amianto è considerato come una sostanza cancerogena.

**AVVERTENZA:** Prima di collegare l'elettrotensile alla rete di alimentazione, accertarsi che la tensione di alimentazione corrisponda a quella indicata sulla targhetta dati tecnici dell'elettrotensile.

• Una fonte di alimentazione dalla tensione superiore a quella indicata per l'elettrotensile, può causare sia una grave lesione di scossa elettrica all'operatore, sia un guasto all'elettrotensile.

• Se si ha qualsiasi esitazione, non innestare la spina dell'elettrotensile nella presa.

• L'uso di una fonte di alimentazione con tensione inferiore a quella indicata sulla targhetta dati tecnici dell'elettrotensile, danneggerà il motore elettrico.

• Per ovviare all'eventuale surriscaldamento, svolgere sempre completamente il cavo di prolunga con rocchetto.

• Quando si deve usare una prolunga, accertarsi che la sua sezione corrisponda alla corrente nominale dell'elettrotensile usato, nonché dello stato di efficienza della prolunga.

**AVVERTENZA:** Disinserire sempre l'elettrotensile e disinnestare la spina dalla presa prima di effettuare qualsiasi regolazione, sistemazione o manutenzione.

• Nel lavorare tenere sempre la macchina saldamente con entrambe le mani e mantenere una posizione stabile del corpo. L'elettrotensile viene guidato con maggiore sicurezza quando si afferra con entrambe le mani.

• Prima di cominciare il lavoro verificare con un metal detector appropriato, per la presenza di un nascosto impianto elettrico, una conduttura di gas o d'acqua, o cercare aiuto dai rispettivi uffici locali. Il contatto della punta con un impianto elettrico nascosto può provocare lesione da scossa elettrica. Il danneggiamento di una conduttura di gas può causare un'esplosione. La foratura di una conduttura d'acqua causerà danneggiamento a proprietà, o lesione da scossa elettrica.

## 3. ISTRUZIONI PER L'USO

- Tenere il cavo di alimentazione fuori dal raggio operativo della macchina.
- Non usare l'elettrotensile con il cavo danneggiato. Non toccare il cavo danneggiato ed estrarre la spina dalla presa se il cavo si guasta durante il lavoro. I cavi danneggiati aumentano il rischio di scossa elettrica.
- Mantenere sempre stabile la posizione del corpo. Nel lavorare con l'elettrotensile in quota accertarsi che non ci sia nessuno di sotto.
- Fissare il pezzo da lavorare in una morsa o in qualche altro modo conveniente.
- Sorvegliare il momento d'inerzia all'avviamento del trapano, o ad inceppamento della punta. Spegner subito l'elettrotensile se la punta si blocca. Stare all'erta per un'alta coppia reattiva, la quale può provocare contraccolpo. La punta si bloccherà se l'elettrotensile viene sovraccaricato, o se si inceppa nel materiale lavorato.
- Non toccare la punta o il pezzo da lavorare immediatamente dopo il lavoro. Essi potrebbero arroventarsi e causare ustione della pelle.
- Mantenere pulito il posto di lavoro. La mescolatura di polveri di diversi materiali è particolarmente pericolosa. La polvere di metalli leggeri può bruciare o esplodere.
- Non lasciare mai stracci, stoppa, conduttori o fili vicino al posto di lavoro.
- Spegner sempre la macchina prima di adagiarla in disparte.
- Usare l'elettrotensile soltanto secondo la sua destinazione d'uso. Qualsiasi altro impiego differente da quello descritto in questo manuale di istruzione, sarà ritenuto impiego erraneo. La responsabilità per qualsiasi guasto o ferimento, causati da uso erraneo, cadrà sull'utente, e non sul fabbricante.
- Per sfruttare correttamente questo elettrotensile, si devono rispettare le regole di sicurezza, le istruzioni generali, e le istruzioni di funzionamento qui riportate. Tutti gli utenti devono conoscere queste istruzioni di servizio, ed essere informati dei potenziali rischi nel lavoro con l'elettrotensile. Bambini e persone fisicamente deboli non devono usare l'elettrotensile. I bambini devono stare sotto continua sorveglianza se si trovano vicino ad un luogo dove si lavora con l'elettrotensile. È obbligatorio prendere anche precauzioni di sicurezza. Lo stesso concerne pure l'osservanza delle regole principali relative alla salute e alla sicurezza professionale.
- Il fabbricante non sarà tenuto responsabile per modifiche apportate dall'utente all'elettrotensile, o per guasti causati da tali modifiche.
- Non usare l'elettrotensile all'aperto quando piove, in un ambiente umido (dopo una pioggia), o in vicinanza di liquidi o gas facilmente infiammabili. Mantenere il posto di lavoro ben illuminato.

### **ISTRUZIONI PER L'USO**

#### **PRENDERE VISIONE DELL'ELETTROTENSILE**

Prima di cominciare a lavorare con l'elettrotensile, prendere conoscenza di tutte le particolarità operative e condizioni di sicurezza.

Impiegare l'elettrotensile e i suoi accessori unicamente secondo la destinazione d'uso. Ogni altro impiego è espressamente vietato.

### 3. ISTRUZIONI PER L'USO

1. Mandrino
  2. Leva per inversione del senso di rotazione
  3. Interruttore ON/OFF
  4. Pulsante per bloccaggio dell'interruttore
  5. Commutatore dei regimi di funzionamento
  6. Impugnatura supplementare
  7. Linea di limitazione
  8. Vite ad alette per messa a punto del limitatore
- Questo elettroutensile viene alimentato soltanto di corrente alternata monofase. Avendo l'isolamento doppio conformemente all'EN 60745-1 e all'IEC 60745, esso si può innestare in prese senza piattine di massa. I disturbi radio corrispondono alla Direttiva di compatibilità elettromagnetica.

Questo elettroutensile è destinato a praticare fori in calcestruzzo (o altri materiali fragili), acciaio, legno, ecc.

#### PRIMA DI COMINCIARE IL LAVORO

- Verificare che la tensione della rete elettrica corrisponda a quella riportata sulla targhetta dati tecnici dell'elettroutensile.
- Verificare in che posizione si trova l'interruttore ON/OFF. Innestare in e disinnestare l'elettroutensile dalla presa della rete soltanto ad interruttore disinserito. Se la spina viene innestata nella presa mentre l'interruttore è nella posizione inserita, l'elettroutensile si metterà subito in moto, circostanza che potrebbe provocare un infortunio.
- Accertarsi dello stato di efficienza del cordone d'alimentazione e della spina. Se il cordone è danneggiato, la sostituzione deve essere eseguita dal fabbricante o da un suo specialista di centro assistenza, per evitare i pericoli della sostituzione.

**AVVERTENZA:** Disinserire sempre l'elettroutensile e disinnestare la spina dalla presa prima di effettuare qualsiasi impostazione, aggiustaggio o manutenzione.

- Se l'area del lavoro è lontana dalla fonte di alimentazione, usare una prolunga che sia la più corta possibile, con sezione adatta.
- Controllare che l'impugnatura supplementare sia montata correttamente e serrata in maniera affidabile.

**AVVERTENZA:** Prima di cominciare il lavoro, verificare sempre il senso di rotazione. Usare la leva per inversione del senso di rotazione solo dopo che l'alberino abbia completamente smesso di girare. L'inversione del senso di rotazione prima della completa cessazione di rotazione dell'alberino può danneggiare l'elettroutensile.

#### AVVIAMENTO - ARRESTO

##### Messa in moto per breve tempo:

- **Avviamento:** premere l'interruttore 3.
- **Arresto:** rilasciare l'interruttore 3.

##### Lavoro continuativo:

- **Avviamento:** premere l'interruttore 3 e, tenendolo premuto, bloccarlo con il pulsante 4.
- **Arresto:** premere l'interruttore 3 una sola volta e rilasciarlo subito.

### 3. ISTRUZIONI PER L'USO

#### REGOLAZIONE ELETTRONICA CONTINUA DEI GIRI

Una lieve pressione dell'interruttore 3 comporta l'azionamento del trapano a giri bassi, che aumentano dolcemente fino a quelli massimi con l'incremento della pressione dell'interruttore, fino a raggiungere la posizione estrema.

#### INVERSIONE DEL SENSO DI ROTAZIONE

La posizione estrema destra della leva 2 significa rotazione in senso orario, e l'estrema sinistra in senso antiorario. Premendo l'interruttore 3, la leva 2 non può essere azionata. L'inversione del senso di rotazione va effettuata soltanto in quiete del trapano.

#### COMMUTAZIONE DEI REGIMI DI FUNZIONAMENTO

- Praticare fori in metallo, legno, ecc. Il commutatore 5 è nella posizione estrema destra e si vede il simbolo "punta".

- Praticare fori in calcestruzzo, pietra, ecc.

Il commutatore 5 è nella posizione estrema sinistra e si vede il simbolo "martello". Si possono commutare i regimi di funzionamento anche con il trapano in moto.

#### METTERE E STRINGERE LA PUNTA

##### In macchine con mandrino a chiave

Girando la corona del mandrino 1 in senso orario o antiorario, le sue ganasce si muovono fino ad una posizione che permetta al codolo della punta di entrare tra esse. Girando la corona del mandrino 1 in senso orario, le ganasce afferrano il codolo della punta. Fissare con la chiave speciale la punta definitivamente nel mandrino, girando uniformemente nei tre fori.

##### In trapani con mandrino a serraggio rapido

Trattenere la corona posteriore del mandrino e girare la corona anteriore finché il mandrino si apre abbastanza per poter mettervi la punta. Serrare poi la corona anteriore con la mano, al quale atto si sente un suono distinto.

#### SVITARE ED AVVITARE BULLONI, VITI E DADI

Nel mandrino 1 si stringe, nel modo descritto qui sopra, l'apposito dispositivo per avvitare e svitare bulloni, dadi o viti. Mettere il commutatore 5 dei regimi di funzionamento nella posizione estrema destra, in modo che si possa vedere completamente il simbolo "punta". Scegliere con la leva 2 per inversione del senso di rotazione l'operazione di svitare o avvitare. Svolgere le operazioni soltanto a giri bassi.

**AVVERTENZA:** Nell'avvitare lunghi bulloni o viti esiste il pericolo di slittamento del trapano.

#### CONSIGLI NEL LAVORO CON IL TRAPANO

Serrare l'impugnatura supplementare 6 al collare del trapano. Mediante la linea di limitazione 7 si può fissare la profondità dei fori praticati.

#### CONSIGLI NEL LAVORO CON IL TRAPANO

Esercitare una pressione moderata nel forare calcestruzzo. La forte pressione non aumenta il rendimento del forare, e causa invece una riduzione della durata utile della macchina. Nelle macchine con regolatore elettronico forare con un numero di giri inferiore a quello massimo, scegliendo i giri a seconda del materiale.

## 4. MANUTENZIONE

Usare punte con lamelle in leghe dure e con codolo cilindrico. Estrarre di tanto in tanto la punta dal foro, per portare via la polvere.

Sorvegliare il grado di smussamento della punta e sostituirla quando si nota un considerevole ribasso del rendimento. Non forare direttamente con grosso diametro, fare in anticipo un foro con una punta più piccola. Il raggio ottimale nel forare calcestruzzo è fino a 8 mm, il raggio possibile essendo fino a 13 mm.

### ACCESSORI CHE POSSONO ESSERE USATI CON QUESTO ELETTROUTENSILE

- Punta per acciaio con diametro da Ø1,5 mm a Ø13 mm
- Punta per legno con diametro da Ø3 mm a Ø25 mm
- Punta per calcestruzzo con diametro da Ø3 mm a Ø13 mm

**AVVERTENZA:** Per il lavoro con questo elettROUTENSILE si consigliano gli accessori o dispositivi di cui sopra. L'uso di accessori o dispositivi differenti da quelli indicati, comporta infortunio sul lavoro. Usare accessori o dispositivi soltanto per la destinazione d'uso. Se ci vogliono ulteriori informazioni relative a tali accessori, rivolgersi al locale centro assistenza tecnica della STATUS.

### MANUTENZIONE

**AVVERTENZA:** Spegnerne sempre l'elettROUTENSILE e staccare la spina dalla presa prima di qualsiasi verifica o manutenzione.

**VERIFICA GENERALE** Verificare regolarmente tutti gli elementi di fessaggio e accertarsi che siano ben stretti. In caso che qualche vite si sia allentata, stringerla subito, per evitare situazioni di rischio. Se il cavo di alimentazione viene danneggiato, la sostituzione va effettuata dal fabbricante o da un suo specialista di centro assistenza, per evitare i pericoli della sostituzione.

**PULIZIA** Per un esercizio sicuro mantenere sempre pulite la macchina e le aperture di ventilazione. Controllare regolarmente che nella griglia di ventilazione vicino al motore elettrico o intorno ai commutatori non siano penetrati polvere o corpi estranei. Usare una spazzola morbida per rimuovere la polvere ammassata. Per proteggere gli occhi, indossare durante la pulizia occhiali protettivi. Se la carcassa della macchina necessita pulizia, spolverarla con un canovaccio morbido e umido. Si può usare un debole detergente.

**AVVERTENZA:** Non è ammesso l'uso di alcole, benzina o altri solventi. Non adoperare mai preparati attaccanti per la pulitura delle parti plastiche.

**AVVERTENZA:** Non è ammessa l'entrata di acqua in contatto con la macchina.

**IMPORTANTE!** Per provvedere a un lavoro sicuro con l'elettROUTENSILE, e alla sua affidabilità, tutte le attività relative alla riparazione, manutenzione e regolazione (ivi incluse la verifica e la sostituzione delle spazzole) vanno effettuate nei centri assistenza autorizzati STATUS, usando soltanto pezzi di ricambio originali.

## 5. DATI TECNICI / DICHIARAZIONE DI CONFORMITÀ CE

### DATI TECNICI

Trapano a percussione	DP750
Codice prodotto	0 21 424 01
Potenza nominale assorbita (W)	750
Tensione (V / Hz)	220-240 / 50/60
Numero di giri a vuoto (RPM)	3000
Mandrino diametro (mm)	13
Capacità di foratura	
Acciaio (mm)	13
Legno (mm)	25
Calcestruzzo (mm)	13
Peso in funzione della EPTA-Procedure 01/2003 (kg)	2,3
Classe di sicurezza	II

### ULTERIORI INFORMAZIONI

Leggere attentamente tutte le istruzioni prima di iniziare a lavorare con l'utensile. L'azienda produttrice si riserva il diritto di apportare modifiche tecniche senza preavviso.

Le specifiche tecniche possono variare da paese a paese.

### INFORMAZIONI SUL RUMORE E SULLE VIBRAZIONI

#### Emissione acustica (EN 62841)

A- livello di pressione sonora ponderata  $L_{pA}$  98,06dB(A), Indeterminazione  $K_{pA}$  3.0dB

A- livello di potenza sonora ponderata  $L_{WA}$  109,06dB(A), Indeterminazione  $K_{WA}$  3.0dB

#### Emissione di vibrazioni (EN 62841)

Valore delle vibrazioni emesse  $a_{hID}$  17,1m/s<sup>2</sup>, Indeterminazione K 1,5 m/s<sup>2</sup>

### DICHIARAZIONE DI CONFORMITÀ CE

Assumendone la piena responsabilità, dichiariamo che il prodotto descritto nei «Dati tecnici» è conforme alle seguenti normative ed ai relativi documenti:

2014/30/EU, 2006/42/EC

EN62841-1:2015, EN62841-2-1:2018, EK9-BE-87:2014, EK9-BE-88:2014, AfPS

GS 2014:01 PAK, EN55014-1:2017, EN55014-2:2015, EN61000-3-2:2014,

EN61000-3-3:2013

Fascicolo tecnico presso: Komby – Via Aldo Moro, 14/A – 36060 Pianezze (VI) Italia

  
Caron Giacinto  
L'Amministratore  
STATUS ITALIA S.R.L.

## 1. ПРЕДНАЗНАЧЕНИЕ

### 2. СЪВЕТИ ЗА БЕЗОПАСНОСТ

#### ПРЕДНАЗНАЧЕНИЕ

Тази електрическа бормашина е предназначена за пробиване на дърво, керамика, пластмаса, бетон и метал, както и за завинтване и развинтване на винтове. Всяка друга употреба е неподходяща. Бъркането или използването на части, които не са проверени или одобрени от производителя, също е неподходящо. Неправилната употреба може да предизвика непредвидимо увреждане на потребителя и заобикалящите предмети. Производителят не поема отговорност за повредите в резултат на неправилна употреба.

#### СЪВЕТИ ЗА БЕЗОПАСНОСТ



**ПРЕДУПРЕЖДЕНИЕ!** Прочетете внимателно всички инструкции. Неспазването на всички инструкции, описани долу, може да доведе до електрически удар, пожар и/или сериозно нараняване. Терминът "силов инструмент" във всички предупреждения, описан долу, се отнася за вашия захранван от ел. мрежата (кабелно) или с батерия (безжичен) уред.

##### 1) РАБОТНА ЗОНА

- Пазете работната зона чиста и добре осветена. Разхвърляни пейки и тъмни зони предизвикват инциденти.
- Не работете с инструмента в експлозивни атмосфери като при наличието на запалими течности, газове или прах. Инструментите създават искри, които може да запалят праха или изпаренията.
- Дръжте децата, стоящите наоколо и посетителите далеч при работа с инструмента. Разсейването може да ви накара да загубите контрол.

##### 2) ЕЛЕКТРИЧЕСКА БЕЗОПАСНОСТ

- Дръжте електроинструмента за изолираните повърхности при извършване на операция, когато режещия инструмент може да попадне на скрити проводници под напрежение или да засегне захранващ кабел.
- Щепселът на инструмента трябва да пасва на контакта. Не променяйте щепсела по никакъв начин. Не използвайте никакви адаптерни щепсели със заземени инструменти. Немодифицирани щепсели и подходящи контакти ще намалят риска от електрически удар.
- Избягвайте контакта на тялото със заземени повърхности като тръби, радиатори, печки и хладилници. Има увеличен риск от електрически удар, ако тялото ви е заземено.
- Не излагайте инструмента на дъжд или влага. Водата, която влиза в инструмента, ще увеличи риска от електрически удар.
- Не злоупотребявайте с кабела. Не използвайте кабела за носене, дърпане или изключване на инструмента. Дръжте кабела далеч от топлина, масло, остри ръбове или движещи се части. Повредените или усукани кабели увеличават риска от електрически удар.
- При работа с уреда на открито използвайте удължителен кабел, който е подходящ за работа на открито. Употребата на кабел, подходящ за употреба а открито, намалява риска от електрически удар.

## 2. СЪВЕТИ ЗА БЕЗОПАСНОСТ

- Включете електрическият уред в електричеството, използвайки 16/25 A максимално сигурен защитен контакт (230/120V~, 50/60 Hz). Препоръчваме да поставите устройство-прекъсвач за остатъчен ток (RCD), който не превишава 30mA.
- ### 3) ЛИЧНА БЕЗОПАСНОСТ
- Бъдете нащрек, внимавайте какво правите и бъдете разумни при употреба на инструмента. Не използвайте инструмента, ако сте уморени или под влиянието на упойващи вещества, алкохол или лекарства. Момент на невнимание при работа с инструмента може да доведе до сериозно лично нараняване.
  - Използвайте оборудване за безопасност. Винаги носете защита за очите. Оборудване за безопасност като противопрахова маска, неплъзгащи се обувки, предпазна маска или защита за слуха, използвани при подходящите условия, ще намалят личните наранявания.
  - Избягвайте случайното пускане. Уверете се, че ключът е в позиция на изключено, преди да го включите в контакта. Носенето на инструмента с пръст на копчето или включване в контакта с включено копче може да предизвика инциденти.
  - Махнете регулиращи ключове или гаечен ключ, преди да пуснете инструмента. Гаечен ключ или ключ, оставен прикачен на въртящата се част на инструмента, може да доведе до лично нараняване.
  - Не се пресягайте. Поддържайте добра основа за краката си и равновесие по всяко време. Това позволява по-добрия контрол на инструмента при неочаквани ситуации.
  - Обличайте се подходящо. Не носете хлабави дрехи или бижута. Пазете косата си, дрехите и ръкавиците далеч от движещи се части. Хлабавите дрехи, бижута или дълга коса може да се заклещат в движещите се части.
  - Ако са осигурени устройства за свързването на прахосмукачка или съоръжения за събиране, се уверете, че те са правилно свързани и използвани. Използването на тези устройства може да намалят опасностите, свързани с праха.
- ### 4) ИЗПОЛЗВАНЕ И ГРИЖА ЗА ИНСТРУМЕНТА
- Не насилвайте инструмента. Използвайте правилния инструмент за приложението ви. Правилният инструмент ще свърши по-добре и по-безопасно работата със скоростта, за която е предназначен.
  - Не използвайте инструмента, ако ключът не се включва и изключва. Всеки инструмент, който не може да бъде контролиран с ключа, е опасен и трябва да бъде ремонтиран.
  - Изключвайте щепсела от контакта, преди да извършвате настройки, да сменяте приспособления или да прибирате уреда. Такива мерки за безопасност намаляват риска от случайно пускане на уреда.
  - Прибирайте уреда, с който не работите, извън обсега на деца и не позволявайте на лица, които не са запознати с инструкциите за уреда, да работят с него. Инструментът е опасен в ръцете на необучени потребители.

### 3. ЧАСТИ И АКЕСОАРИ

- Поддържайте инструмента. Проверявайте за разминавания или залепване на движещите се части, счупване на части и друго състояние, което може да засегне работата на инструмента. Ако е повреден, го ремонтирайте преди употреба. Много инциденти се предизвикват от лошо поддържани инструменти.
- Дръжте режещите уреди остри и чисти. Правилно поддържаните режещи уреди с остри режещи ръбове е по-малко вероятно да се заклепчат и са по-лесни за контролиране.
- Използвайте инструмента, аксесоарите и частите на инструмента и др. в съответствие с тези инструкции и по начина, предназначен за конкретния вид инструмент, вземайки предвид работните условия и работата, която трябва да се извърши. Използването на инструмента за работа, различна от предназначението, може да доведе до опасна ситуация.

#### 5) ОБСЛУЖВАНЕ

- Обслужването на инструмента трябва да се извършва от квалифицирано лице с помощта на идентични резервни части. Това ще осигури поддържането на безопасността на уреда.

#### Допълнителни инструкции за употреба за електрическата ви бормашина

- Не използвайте електрическия уред с повреден кабел. Не местете повредения кабел, а извадете щепсела от контакта, ако кабелът се повреди по време на работа. Повредените кабели увеличават риска от електрически удар.
- Ако е необходима смяна на хранящия кабел, това трябва да се извърши от производителя или негов агент, за да се избегне опасност.
- С материали, съдържащи азбест, не трябва да се работи. Фини прахови частици може да останат във въздуха, въпреки поставянето на прахосмукачка и могат силно да застрашат здравето ви.

#### ЧАСТИ И АКЕСОАРИ

1. Патронник
2. Ключ за ляво/дясно въртене
3. Бутон а вкл/изкл
4. Бутон за застопоряване
5. Ключ за превключване на удар
6. Помощна дръжка
7. Ограничител на дълбочината
8. Винт за настройка на ограничителя

### 4. ПРЕДИ ПЪРВАТА УПОТРЕБА 5. РАБОТА

#### ПРЕДИ ПЪРВАТА УПОТРЕБА

##### Опасност от нараняване!

Преди да правите настройки:

- Изключете машината.
- Изчакайте, докато машината спре напълно.
- Издърпайте щепсела.
- Махнете опаковката и се уверете, че всички части са налични.

##### Инсталирайте страничната дръжка (помощта дръжка)

Винаги използвайте страничната дръжка, за да осигурите безопасна работа.

- Инсталирайте страничната дръжка на корпуса на машината.
- След това затегнете дръжката, като завъртите добре по посока на часовниковата стрелка в желаната позиция.

Може да се завърти на 360°, за да застане на сигурно място.

##### Измервател на дълбочина

Измервателят на дълбочина е удобен за пробиване на дупки с еднаква дълбочина.

- Охлабете страничната дръжка и поставете измервателя на дълбочина в дупката в страничната дръжка.
- Регулирайте измервателя на дълбочина на желаната дълбочина и затегнете страничната дръжка.

**БЕЛЕЖКА:** Измервателят на дълбочина не може да се използва в позиция, в която се удря в тялото на уреда.

##### Поставяне на бургия

- Поставете ключа на патронника в една от страничните дупки на патронника и завъртете патронника по посока на часовниковата стрелка.
- Изберете определената бургия и я натиснете колкото може в отвора на патронника.
- Затегнете патронника, като го завъртите обратно на часовниковата стрелка. Уверете се, че бургията е здраво закачена на патронника.
- Проведете кратък тест и проверете отново след като бормашина е спряла напълно, дали бургията е все така здраво застанала.

##### Използване на инструменти за завинтване

При използване на части за завинтване трябва винаги да използвате универсален държач за части. Използвайте само части за завинтване, които са съвместими с главите. Уверете се, че инструментите за завинтване се използват само при намалена скорост на въртене.

#### РАБОТА

##### Ключ за смяна (пробиване/ударно пробиване/издялване)

Настройвайте ключа за смяна (5), само когато ударната бормашина е спряла.

- Режим на работа при пробиване: настройте ключа за смяна (5) на позиция за пробиване за работа в дърво, метал, пластмасови материали или за завинтване.

## 5. РАБОТА

- Режим на работа при ударно пробиване: задайте ключа за промяна (5) на позиция за ударна работа с бетон, камък или тухла.

### Пробиване в цимент и тухла

Използвайте бургията за твърд метал и висока скорост на въртене.

### Пробиване на стомана

Използвайте бургия HSS (HSS: стоманена сплав за бърза обработка) и ниска скорост на въртене при работа със стомана.

### Завинтване/развинтване на винтове

Използвайте ниска скорост на въртене.

### Пробиване на дупки

Когато искате да пробивате дълбоки дупки в твърди материали като стомана, ние ви препоръчване първо да пробиеете дупка с малка бургия.

### Включване/изключване

- Включете щепсела в контакт
- Поставете бормашината директно на мястото за пробиване.
- Натиснете и задръжте бутона за вкл./изкл (3), за да включите машината.
- За да изключите машината, отпуснете бутона за вкл./изкл (3).

### Дълготрайна работа

Опасност от нараняване! В случай, че машината падне от ръката ви по време на дълга работа, тя автоматично ще се изключи. В тази ситуация, незабавно издърпайте щепсела от контакта и изключете машината.

За да осигурите безопасна дълга работа:

- Дръжте сигурно машината по всяко време.
- Винаги дръжте един пръст на бутона за вкл./изкл., за да можете бързо да я изключите

За дълга употреба можете да натиснете затягащото копче (4) веднъж.

Бутонът за вкл./изкл. (3) трябва да бъде натиснат за тази цел.

Машината ще остане включена, докато бутонът за вкл./изкл. не бъде натиснат бързо още веднъж.

### Настройка на скоростта на въртене

Натискайки бутона за вкл./изкл. (3), можете да зададете скоростта на въртене по време на работа на празен ход.

Оптималната скорост на въртене зависи от пробивания материал, режим на работа и поставената бургия.

Леко натискане на бутона за вкл./изкл.: Ниска скорост на въртене (предназначено за: малки/къси винтове, меки материали за обработка)

Силно натискане на бутона за вкл./изкл.: По-висока скорост на въртене (предназначено за: големи/дълги винтове, твърди работни материали)

### Избор на посока на въртене

- Не настройвайте ключа за въртене наляво/надясно по време на пробиване.
- Посоката на въртене е винаги според позицията на ключа.

## 6. ГРИЖИ И ПОДДРЪЖКА

- Позиция на ключа R: дясно въртене/напред/по посока на часовниковата стрелка. За да пробивате и завинтвате винтове, натиснете ключа за въртене надясно/наляво (2) изцяло надясно.
- Позиция на ключа L: ляво въртене/назад/обратно на часовниковата стрелка. За разхлабване или изваждане на гайки, натиснете ключа за въртене надясно/наляво (3) наляво, докато не спре.

### Охлаждане на мотора

Ако моторът е прекалено прегрял, оставете го да работи на празен ход за 2 до 3 минути на максимална скорост на въртене.

## ГРИЖИ И ПОДДРЪЖКА

### Опасност от нараняване!

Преди всяка работа по грижи и поддръжка:

- Изключете машината
- Изчакайте, докато машината спре напълно.
- Изключете щепсела от контакта.

### Почистване

Почиствайте машината редовно след всяко използване от прах, стърготини, дървени трески и др. Почиствайте корпуса на машината с влажна кърпа и малко сапун. Не използвайте препарати или разтвори; те може да предизвикат корозия на пластмасовите части на машината. Уверете се, че водата не достига вътрешността на машината.

### Обслужване

Няма части във вътрешността на машината, които да изискват поддръжка от потребителя. Ако машината не функционира правилно след дълга работа, тя трябва да бъде проверена от техник.

### Резервни части

#### Опасност от инцидент!

- Частите, които не са проверени и одобрени от производителя, могат да повредят машината и да предизвикат сериозни наранявания.
- Използвайте само оригинални части за смяна на старите части, особено за механизмите за безопасност и режещите инструменти.

### ЗАЩИТА НА ОКОЛНАТА СРЕДА

Опаковъчните материали са суровини, които могат да бъдат използвани повторно. Отделете различните опаковъчни материали и ги занесете до определеното съоръжение за изхвърляне на отпадъци. Можете да получите допълнителна информация от съответните органи.

Старите машини не са част от битовия ви отпадък. Изхвърляйте старите машини по подходящ начин. Всички ние отговаряме за околната среда. Местните органи могат да ви посочат мястото на съответните пунктове за събиране и тяхното работно време.

## 7. ТЕХНИЧЕСКИ ДАННИ

## 8. ДЕКЛАРАЦИЯ ЗА СЪОТВЕТСТВИЕ

### ТЕХНИЧЕСКИ ДАННИ

Модел	DP750
Мощност	220-240В ~50/60 Гц
Капацитет	750 Вт
Скорост на въртене на празен ход n0	3000 /мин
Обхват на патронника	13 мм
Тегло	2,3 кг
Максимална дълбочина на пробиване:	
Дърво	25 мм
Стомана	13 мм
Бетон	13 мм

### Информация за шум и вибрации

Излъчване на шум (стойн остите са измерени съгласно EN 62841):

А-претеглено ниво на звуково налягане	$L_{pA}$ - 98,06 dB(A)
Неопределеност	$K_{pA}$ - 3.0 dB
А-претеглено ниво на звукова мощност	$L_{wA}$ - 109,06 dB(A)
Неопределеност	$K_{wA}$ - 3.0 dB

### Използвайте средства за защита от шума!

Излъчване на вибрации (определени съгласно т. 6.2.7 на EN 62841):

Стойност на излъчените вибрации	$a_h$ - 17,1m/s <sup>2</sup>
Неопределеност	K - 1.5 m/s <sup>2</sup>

### ДЕКЛАРАЦИЯ ЗА СЪОТВЕТСТВИЕ

STATUS ITALIA S.R.L. заявява, че долуизброените продукти с марка STATUS:

Продукт: Ударна бормашина Модел: DP750 са произведени в съответствие със следните директиви на ЕС: 2014/30/EU, 2006/42/EC

Също така съответстват на изброените стандарти: EN62841-1:2015, EN62841-2-1:2018, EK9-BE-87:2014, EK9-BE-88:2014, AfPS GS 2014:01 ПАК, EN55014-1:2017, EN55014-2:2015, EN61000-3-2:2014, EN61000-3-3:2013

Техническата документация се пази при производителя:

STATUS ITALIA S.R.L., via Aldo Moro, 14/A, 36060 - Pianezze (VI), ITALY

Карон Джиасинто  
Директор  
STATUS ITALIA S.R.L.

### Дистрибутор на територията на България:

Спринтер ООД.

Адрес по регистрация: България, гр. София 1000, бул. Христо Ботев 28, ет. 7.

Адрес за кореспонденция: България, гр. София 1303, бул. Тодор Александров №28, магазин №4.

Уебсайт: [www.status-tools.com](http://www.status-tools.com), E-mail: [office@status-tools.eu](mailto:office@status-tools.eu).

Тел. 02 870 51 98

## 1. ПРЕДНАЗНАЧЕНИЕ ИЗДЕЛИЯ

## 2. ОСНОВНЫЕ ТРЕБОВАНИЯ БЕЗОПАСНОСТИ

### ПРЕДНАЗНАЧЕНИЕ ИЗДЕЛИЯ

Данное изделие предназначено для сверления дерева, керамики, пластика, бетона и металла. Также может использоваться в качестве шуруповёрта.

Любое другое использование изделия не допускается.

Использование запчастей и оснастки, которые не одобрены изготовителем изделия также не допускается.

Неправильная эксплуатация может причинить вред владельцу и окружающим.

Изготовитель снимает с себя ответственность за надежность изделия и безопасность работы с ним, в случае использования его не по прямому назначению.

### ОСНОВНЫЕ ТРЕБОВАНИЯ БЕЗОПАСНОСТИ



#### ВНИМАНИЕ !

Внимательно ознакомьтесь с требованиями инструкции по безопасности. Не соблюдение требований данной инструкции может привести к поражению электрическим током, пожару или травмам.

#### ХРАНИТЕ ДАННУЮ ИНСТРУКЦИЮ В ДОСТУПНОМ МЕСТЕ

- 1) **Рабочее место**
  - Содержите рабочее место чистым и свободным от посторонних предметов.
  - Рабочее место должно быть хорошо освещено .
  - Не используйте изделие для работы во взрывоопасной атмосфере и вблизи от легковоспламеняющихся жидкостей. Электродвигатель изделия при работе искрит, и это может стать причиной пожара.
  - Во время работы не допускайте посторонних и детей к рабочему месту.
- 2) **Электробезопасность**
  - Сетевая розетка должна соответствовать штепсельной вилке, установленной на сетевом кабеле изделия. Запрещается внесение изменений в конструкцию вилки и использование любых переходников.
  - Во время работы избегайте контакта с заземленными предметами: водопроводными трубами, радиаторами отопления и т.д. При контакте с заземленными предметами значительно возрастает риск поражения электрическим током.
  - Предохраняйте изделие от воздействия воды и повышенной влажности. Попадание воды внутрь изделия может привести к поражению электрическим током.
  - Берегите сетевой кабель изделия. Не используйте кабель для переноски изделия, не тяните за кабель чтобы выключить изделие.



## 2. ОСНОВНЫЕ ТРЕБОВАНИЯ БЕЗОПАСНОСТИ

Располагайте кабель во время работы вдали от источников тепла, подвижных частей изделия и предметов с острыми краями. Поврежденный кабель может стать причиной поражения электрическим током.

- При работе изделием вне помещения применяйте удлинитель, специально предназначенный для эксплуатации на открытом воздухе.
  - Параметры сети для подключения изделия должны соответствовать параметрам указанным на маркировочной табличке изделия ( 230 V~, 50 Hz).
  - При работе изделием вне помещения применяйте удлинитель, специально предназначенный для эксплуатации на открытом воздухе. Использование специального удлинителя значительно снижает риск поражения электрическим током.
- 3) **Личная безопасность**
- При работе держите изделие только за изолированные рукоятки и части корпуса. Это позволит Вам избежать поражения током когда сверло случайно повредит скрытую проводку или силовой кабель.
  - Не работайте изделием в состоянии алкогольного или наркотического опьянения, под воздействием лекарств и в болезненном состоянии. Кратковременная потеря контроля над изделием во время работы может стать причиной серьезной травмы.
  - Всегда применяйте средства индивидуальной защиты и защитные очки. К средствам индивидуальной защиты относятся: респиратор, нескользящая обувь и шумозащитные наушники. Применение средств защиты сделает работу более комфортной и безопасной.
  - Внимательно следите за тем, чтобы при включении изделия в сеть, клавиша выключателя не была зафиксирована во включенном положении. Это поможет избежать случайного включения изделия.
  - Следите за тем, чтобы перед включением изделия из него были удалены регулировочные инструменты, отвертки и т.п. Попадание инструмента в подвижные части изделия при включении может стать причиной травмы и привести к выходу изделия из строя.
  - При работе занимайте устойчивое положение. Всегда стойте на устойчивой опоре. Потеря равновесия во время работы может стать причиной серьезной травмы.
  - Не одевайте для работы излишне свободную одежду. Перед началом работы снимите ювелирные украшения. Если у Вас длинные волосы, спрячьте их под головной убор. Попадание краев одежды, ювелирных изделий и волос в движущиеся части изделия может привести к травме.
  - Если в изделии предусмотрено подключение пылесоса обязательно подключите его перед работой. Эффективное удаление пыли из рабочей зоны сделает работу более удобной и сохранит Ваше здоровье.

## 2. ОСНОВНЫЕ ТРЕБОВАНИЯ БЕЗОПАСНОСТИ

- 4) **Безопасное использование и хранение изделия**
- Не перегружайте изделие. Для каждого вида работ используйте только тот тип инструмента или оснастки, который для этого предназначен.
  - Не используйте изделие с неисправным выключателем. Если выключатель работает нечетко, и включение/выключение изделия затруднено, выключатель подлежит немедленной замене.
  - Всегда отключайте изделие от сети перед тем как отрегулировать изделие или поменять оснастку. Это поможет избежать случайного включения изделия во время работ по его обслуживанию.
  - Храните изделие в месте, недоступном детям и лицам не имеющим навыков работы с изделием. Лицо, ранее не работавшее таким типом инструмента обязано перед началом работы внимательно прочитать эту инструкцию полностью.
  - Перед началом работы внимательно проверяйте состояние изделия: легкость перемещения подвижных частей, отсутствие повреждений корпусных деталей и оснастки. Любая поврежденная часть изделия или оснастки должна быть заменена перед началом работы.
  - Содержите режущую оснастку в чистом виде, хорошо заточенной и смазанной.
  - Используйте инструмент и оснастку только для производства тех видов работ, которые предусмотрены в инструкции по эксплуатации данного изделия. Использование изделия не по прямому назначению может привести к его поломке и травмам.
- 5) **Сервисное обслуживание**
- Ремонт изделия должен осуществляться в авторизованном сервисном центре, квалифицированным персоналом и с использованием только оригинальных запасных частей. Использование при ремонте запасных частей не сертифицированных производителем данного изделия может привести к выходу изделия из строя и нарушению норм электробезопасности изделия.
- Дополнительные инструкции безопасности для Вашей электродрели.**
- Не используйте электроинструмент с поврежденным сетевым кабелем. Если в процессе работы кабель был поврежден, не касаясь поврежденного участка, отключите изделие от сети. Поврежденный кабель увеличивает риск поражения электрическим током.
  - При повреждении кабеля, ремонт должен осуществляться только в авторизованном сервисном центре.
  - Запрещается работать с материалами содержащими асбест. Мельчайшие частицы пыли при работе оказываются в воздухе и могут подвергнуть опасности Ваше здоровье.

#### ОПИСАНИЕ

1. Патрон
2. Переключатель направления вращения
3. Клавиша выключателя
4. Кнопка фиксатора клавиши выключателя
5. Переключатель режима сверления
6. Рукоятка передняя
7. Линейка ограничителя глубины сверления
8. Винт фиксации ограничителя глубины

#### ПОДГОТОВКА К ИСПОЛЬЗОВАНИЮ

Удалите упаковку и удостоверьтесь, что комплектация изделия полная.

##### Установка передней рукоятки

Никогда не используйте дрель без передней рукоятки (6).

Она является дополнительным упором, позволяющим меньше уставать при работе. Рукоятка предназначена как для правой, так и для левой.

- Ослабьте кольцо крепления вращением рукоятки против часовой стрелки.
- Оденьте кольцо на шейку корпуса редуктора.
- Установите рукоятку в удобное положение.
- Закрутите рукоятку по часовой стрелке до плотной фиксации кольца.

##### Ограничитель глубины сверления

Используя линейку (7) Вы можете сверлить несколько отверстий одинаковой глубины.

- Вращая против часовой стрелки винт (8) ослабьте фиксацию линейки.
- Перемещая линейку в кольце рукоятки, установите ее в нужное Вам положение.
- Зафиксируйте линейку (7) вращая винт (8) по часовой стрелке.

##### Установка сверла

- Вращая подвижную часть патрона при помощи ключа против часовой стрелки, раздвиньте губки патрона на необходимую величину.
- Установите сверло в патрон. Сверло должно быть закреплено в патроне на максимальной глубине.
- Используя ключ, затяните патрон.
- Включите дрель на холостом ходу и убедитесь, что сверло прочно зафиксировано в патроне и не имеет биения.

##### Использование бит

При использовании бит желательно применять универсальный держатель. Всегда при закручивании и откручивании винтов используйте только те биты, рабочая часть которых соответствует углублению на головке винта. Производите закручивание и откручивание винтов при низких скоростях вращения.

#### ЭКСПЛУАТАЦИЯ

##### Переключатель режима сверления (сверление/сверление с ударом)

Не пользуйтесь данным переключателем (5) до полной остановки вращения.

- Режим сверления. Используйте данный режим при работе с деревом, металлом, пластмассой и при закручивании/выкручивании винтов.
- Режим сверления с ударом. Используйте данный режим при сверлении бетона, камня и кирпича.

##### Сверление бетона и кирпича

- При работе используйте сверла с твердосплавными вставками и установите максимальную скорость вращения.

##### Сверление стали

- Используйте сверла, предназначенные для сверления металла и низкую скорость вращения.

##### Завинчивание/отвинчивание винтов

- Используйте низкую скорость вращения.

##### Сверление отверстий

- При сверлении отверстий большого диаметра, предварительно засверлите его сверлом меньшего диаметра и только потом используйте сверло большого диаметра.

##### Включение/выключение инструмента

- Подключите устройство к сети.
- Приставьте дрель непосредственно к месту сверления.
- Нажмите и держите клавишу выключателя (3) для включения.
- Для выключения, отпустите клавишу выключателя (3).

Для длительной работы Вы можете нажать кнопку фиксатора выключателя (4). При этом клавиша выключателя (3) должна быть в нажатом положении. Инструмент будет включен до тех пор, пока Вы не нажмёте на клавишу выключателя (3) повторно.

**ВНИМАНИЕ !** В случае потери контроля над инструментом в процессе длительной работы, он не выключится автоматически. В этом случае необходимо немедленно вытащить штепсель из сетевой розетки и выключить инструмент.

- **Всегда крепко держите инструмент в руках.**
- **Всегда удерживайте один палец на выключателе, чтобы иметь возможность быстро выключить инструмент.**

##### Установка скорости вращения

Установите необходимую вам скорость вращения на холостом ходу. Оптимальная скорость вращения зависит от обрабатываемого материала, способа сверления и используемого сверла.

- Лёгкое нажатие на клавишу выключателя - низкая скорость вращения
- Сильное нажатие на клавишу выключателя - высокая скорость вращения

### Выбор направления вращения

**Внимание !** Запрещается переключать направление вращения во время сверления. Перед переключением направления вращения отпустите клавишу выключателя и дождитесь остановки вращения шпинделя.

- Направление вращения выбирается при помощи переключателя (2).
- Позиция переключателя "R": вращение вправо/вперёд/по часовой стрелке. Для сверления и закручивания винтов переведите переключатель (2) в крайнее правое положение.
- Позиция переключателя "L": вращение влево/назад/против часовой стрелки. Для ослабления или выкручивания винтов переведите переключатель (2) в крайнее левое положение.

### Охлаждение двигателя

Если двигатель сильно перегревается, дайте ему 2-3 минуты проработать на холостом ходу при полных оборотах.

## УХОД И ОБСЛУЖИВАНИЕ

### ВНИМАНИЕ !

Перед любыми работами по чистке или обслуживанию:

- Выключите изделие
- Дождитесь его полной остановки
- Отключите его от сети

### Чистка изделия

После каждого использования чистите изделие от пыли, стружки и опилок. Для чистки используйте влажную ткань с небольшим количеством мыла. Не используйте для чистки моющие средства или растворители - они могут вызвать повреждение пластмассовых деталей изделия. Проследите, чтобы вода не попала внутрь изделия.

### Обслуживание

Данное изделие не нуждается в обслуживании, связанном с разборкой инструмента. Если изделие не функционирует, ремонт должен производиться только специалистом в сервисном центре.

### Замена запасных частей

**ВНИМАНИЕ!** Использование при ремонте запасных частей других производителей может привести к выходу изделия из строя и серьёзным травмам. Только оригинальные запасные части, установленные в авторизованном сервисном центре, гарантируют надёжную и безопасную работу изделия.

### ТЕХНИЧЕСКИЕ ДАННЫЕ

Модель	DP750
Напряжение источника питания	220-240В ~50/60 Гц
Мощность	750 Вт
Скорость вращения	3000 об/мин
Патрон	13 мм
Максимальный диаметр сверления	
Дерево	25 мм
Сталь	13 мм
Бетон	13 мм
Вес	2,3 кг
Срок службы изделия	5 лет

### Информация о шуме и вибрациях (EN 62841):

А-взвешенный уровень звукового давления Неопределенность	$L_{pA} - 98,06$ дБ(А)
А-взвешенный уровень звуковой мощности Неопределенность	$K_{pA} - 3,0$ дБ
	$L_{wA} - 109,06$ дБ(А)
	$K_{wA} - 3,0$ дБ

### Вибрации ( в соответствии с т. 6.2.7 EN 62841):

Величина вибрации	$a_n - 17,1$ м/с <sup>2</sup> , К - 1.5 м/с <sup>2</sup>
-------------------	--

### КОМПЛЕКТАЦИЯ

Дрель DP750, дополнительная передняя рукоятка, ограничитель глубины сверления, ключ, инструкция, упаковка  
 Производитель оставляет за собой право изменять технические параметры изделия и его комплектацию без предварительного уведомления.

### ДЕКЛАРАЦИИ СООТВЕТСТВИЯ

STATUS ITALIA S.R.L. заявляет, что изделие торговой марки STATUS: Ударная дрель DP750 изготовлена в соответствии с директивами ЕС: 2014/30/EU, 2006/42/EC. А так же соответствуют стандартам: EN62841-1:2015, EN62841-2-1:2018, EK9-BE-87:2014, EK9-BE-88:2014, AfPS GS 2014:01 PAK, EN55014-1:2017, EN55014-2:2015, EN61000-3-2:2014, EN61000-3-3:2013

Техническая документация хранится у производителя: STATUS ITALIA S.R.L., via Aldo Moro, 14/A, 36060 - Pianezze (VI), ITALY



Карон Джиаинто  
 Директор  
 STATUS ITALIA S.R.L.

Изделия соответствуют требованиям следующих технических регламентов Таможенного союза: ТР ТС 004/2011, ТР ТС 010/2011, ТР ТС 020/2011, ТР ЕАЭС 037/2016.

Сведения о сертификате находятся на сайте [www.status-tools.com](http://www.status-tools.com)

Изготовитель: СТАТУС ИТАЛИЯ С.р.л., Виа Альдо Моро, 14/А, 36060 - Пьянецце, Италия,

сделано в кнр. Представительство в Российской Федерации:

ООО «СТАТУС ТУЛС» 143085, Московская область, Одинцовский район, р/п Заречье, территория 12 месяцев ЖК, стр. 13.