



# STATUS®

**ENG**

## IMPACT DRILL

Original instructions

**DE**

## SCHLAGBOHRMASCHINE

Originalbetriebsanleitung

**IT**

## TRAPANO BATTENTE

Istruzioni originali

**BG**

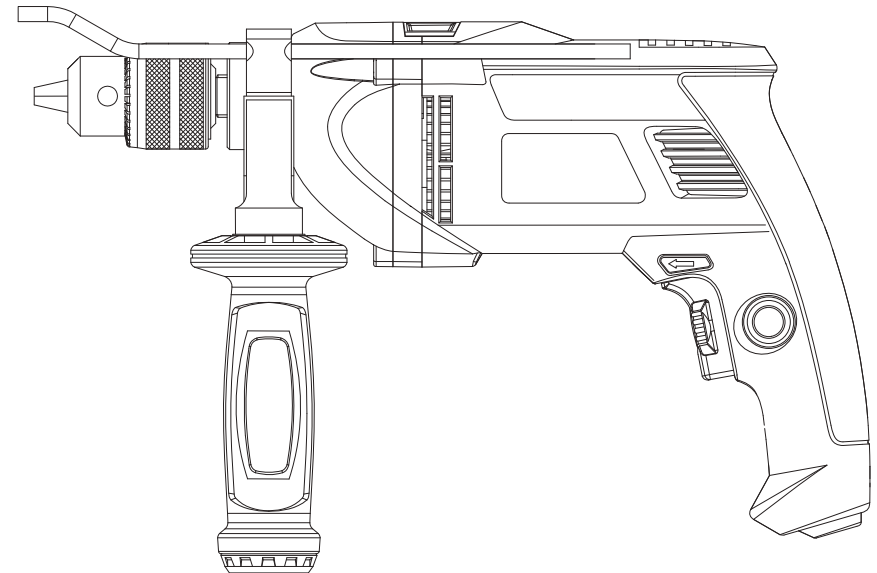
## УДАРНА БОРМАШИНА

Оригинална инструкция за използване

**RU**

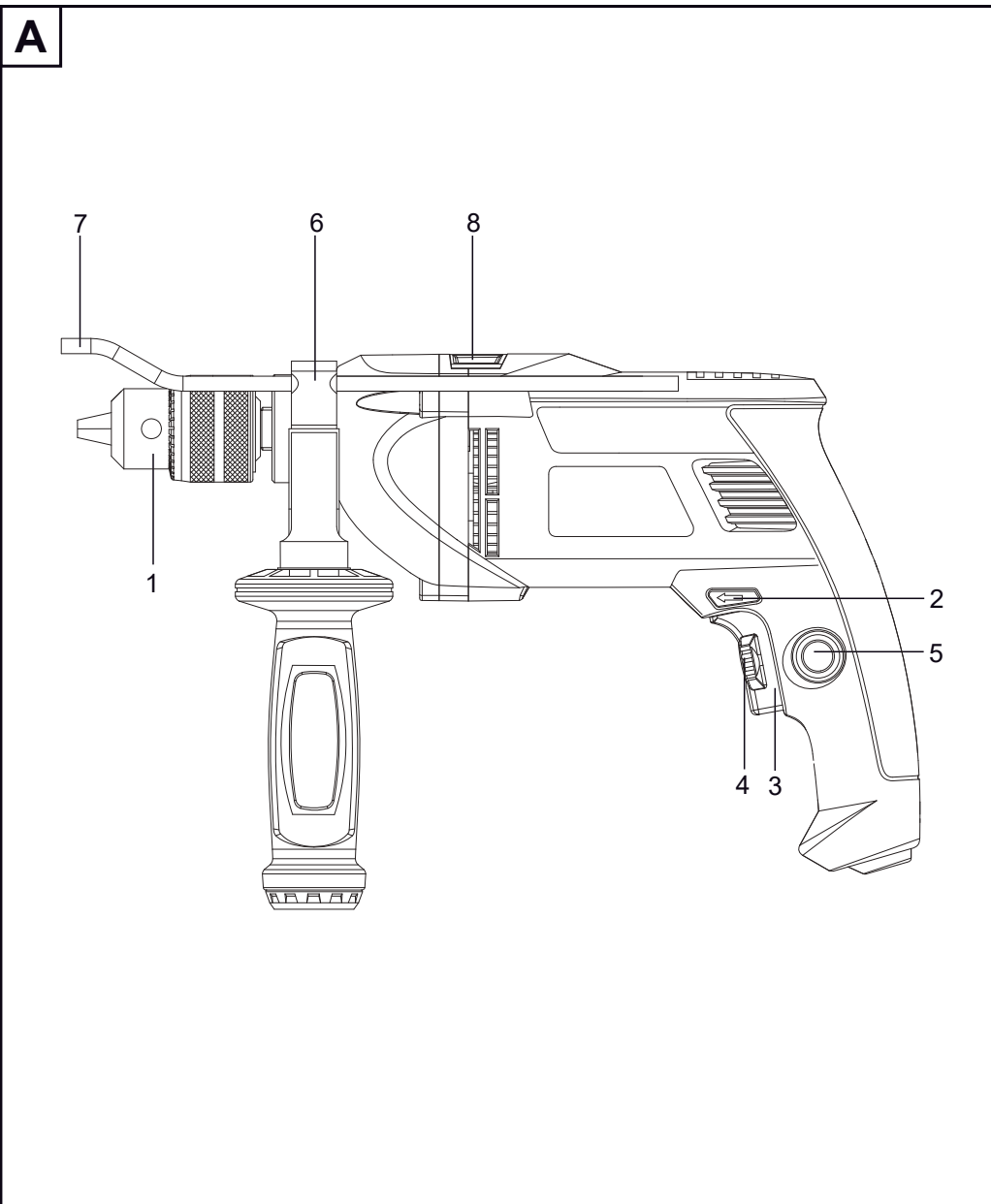
## УДАРНАЯ ДРЕЛЬ

Оригинальная инструкция по эксплуатации



# DP851






---

**INTENDED USE**


---

This power tool is supplied from single-phase alternating current mains only. It is double insulated according to EN 60745-1 and IEC 60745 and can be connected to grounded or not grounded sockets.

This power tool is radio suppressed in compliance with EMC Directive.

These power tools are designed for drilling in concrete (or various brittle materials), steel, wood, etc.

---

**SAFETY ADVICE**


---

**WARNING!** Read all safety warnings and all instructions. Failure to follow the warnings and instructions may result in electric shock, fire and/or serious injury. Save all warnings and instructions for future reference. The term "power tool" in the warnings refers to your mains-operated (corded) power tool or battery-operated (cordless) power tool.

**1) Work area safety**

- **Keep work area clean and well lit.** Cluttered or dark areas invite accidents.
- **Do not operate power tools in explosive atmospheres, such as in the presence of flammable liquids, gases or dust.** Power tools create sparks which may ignite the dust or fumes.
- **Keep children and bystanders away while operating a power tool.** Distractions can cause you to lose control.

**2) Electrical safety**

- **Power tool plugs must match the outlet. Never modify the plug in any way. Do not use any adapter plugs with earthed (grounded) power tools.** Unmodified plugs and matching outlets will reduce risk of electric shock.
- **Avoid body contact with earthed or grounded surfaces, such as pipes, radiators, ranges and refrigerators.** There is an increased risk of electric shock if your body is earthed or grounded.
- **Do not expose power tools to rain or wet conditions.** Water entering a power tool will increase the risk of electric shock.
- **Do not abuse the cord. Never use the cord for carrying, pulling or unplugging the power tool. Keep cord away from heat, oil, sharp edges or moving parts.** Damaged or entangled cords increase the risk of electric shock.
- **When operating a power tool outdoors, use an extension cord suitable for outdoor use.** Use of a cord suitable for outdoor use reduces the risk of electric shock.
- **If operating a power tool in a damp location is unavoidable, use a residual current device (RCD) protected supply.** Use of an RCD reduces the risk of electric shock.

**3) Personal safety**

- **Stay alert, watch what you are doing and use common sense when operating a power tool. Do not use a power tool while you are tired or under the influence of drugs, alcohol or medication.** A moment of inattention while operating power tools may result in serious personal injury.
- **Use personal protective equipment. Always wear eye protection.** Protective equipment such as dust mask, non-skid safety shoes, hard hat, or hearing protection used for appropriate conditions will reduce personal injuries.

## 2. SAFETY ADVICE

Wear ear protectors with impact drills. Exposure to noise can cause hearing loss.

- **Prevent unintentional starting. Ensure the switch is in the off-position before connecting to power source and/or battery pack, picking up or carrying the tool.** Carrying power tools with your finger on the switch or energising power tools that have the switch on invites accidents.
  - **Remove any adjusting key or wrench before turning the power tool on.** A wrench or a key left attached to a rotating part of the power tool may result in personal injury.
  - **Do not overreach. Keep proper footing and balance at all times.** This enables better control of the power tool in unexpected situations.
  - **Dress properly. Do not wear loose clothing or jewellery. Keep your hair, clothing and gloves away from moving parts.** Loose clothes, jewellery or long hair can be caught in moving parts.
  - **If devices are provided for the connection of dust extraction and collection facilities, ensure these are connected and properly used.** Use of dust collection can reduce dust-related hazards.
- #### 4) Power tool use and care
- **Do not force the power tool. Use the correct power tool for your application.** The correct power tool will do the job better and safer at the rate for which it was designed.
  - **Do not use the power tool if the switch does not turn it on and off.** Any power tool that cannot be controlled with the switch is dangerous and must be repaired.
  - **Disconnect the plug from the power source and/or the battery pack from the power tool before making any adjustments, changing accessories, or storing power tools.** Such preventive safety measures reduce the risk of starting the power tool accidentally.
  - **Store idle power tools out of the reach of children and do not allow persons unfamiliar with the power tool or these instructions to operate the power tool.** Power tools are dangerous in the hands of untrained users.
  - **Maintain power tools. Check for misalignment or binding of moving parts, breakage of parts and any other condition that may affect the power tool's operation. If damaged, have the power tool repaired before use.** Many accidents are caused by poorly maintained power tools.
  - **Keep cutting tools sharp and clean.** Properly maintained cutting tools with sharp cutting edges are less likely to bind and are easier to control.
  - **Use the power tool, accessories and tool bits etc. in accordance with these instructions, taking into account the working conditions and the work to be performed.** Use of the power tool for operations different from those intended could result in a hazardous situation.
- #### 5) Service
- **Have your power tool serviced by a qualified repair person using only identical replacement parts.** This will ensure that the safety of the power tool is maintained.

## 2. SAFETY ADVICE

### IMPACT DRILL SAFETY WARNINGS

- **Wear ear protectors with impact drills.** Exposure to noise can cause hearing loss.
  - **Use the auxiliary handle supplied with the machine.** Loss of control can cause personal injury.
  - **During operation provide eye protection to prevent eyes from exposure to flying particles.** Wear goggles.
  - **Take protective measures against inhalation of dust. Some materials can contain toxic ingredients.** Wear a dust mask and work with dust/chip extraction when connectable.
  - **Hold the power tool by insulated gripping surfaces only, when performing an operation where the cutting accessory may contact hidden wiring or its own cord.** Cutting accessory contacting a "live" wire may make exposed metal parts of the power tool "live" and could give the operator an electric shock.
  - **Do not process materials containing asbestos.** Asbestos is considered carcinogenic.
- WARNING:** Before connecting a tool to a power source be sure that the voltage supply is the same as that specified on the nameplate of the tool.
- A power source with a voltage greater than that specified for the tool can result in serious injury to the user, as well as damage to the tool.
  - If in doubt, do not plug in the tool.
  - Using a power source with a voltage less than the nameplate rating is harmful to the motor.
  - Fully unwind cable drum extensions to avoid potential overheating.
  - When an extension cable is required, you must ensure that it has the right ampere rating for your power tool and it is in safe electrical condition.
- WARNING:** Always switch off and unplug the power tool prior to any adjustment, servicing or maintenance.
- While operating the machine, always hold it firmly with both hands and provide for a secure stance. The power tool is guided more securely with both hands.
  - Prior to operation use suitable detectors to determine if utility lines are hidden in the work area or call the local utility company for assistance. Contact with electric lines can lead to fire and electric shock. Damaging a gas line can lead to explosion. Penetrating a water line causes property damage or may cause electric shock.
  - Always keep the cord away from the working area of the power tool.
  - Never use the machine with a damaged cable. Do not touch the damaged cable and pull the mains plug when the cable is damaged while operating. Damaged cables increase the risk of electric shock.
  - Always be sure you have a firm footing. Be sure no one is below when using the tool in high locations.
  - Use clamps or a vice to secure your work whenever possible.
  - Watch out for the initial torque reaction of the machine or upon jamming the drill bit.
  - Do not touch the drill bit or parts close to it during operation and immediately after that; they may be extremely hot. You may get serious burns.

### 3. PARTS AND ACCESSORIES

#### 4. PRIOR TO FIRST USE

- Keep work area clean. Blends of materials are particularly dangerous. Dust from light alloys can burn or explode.
- Rags, cloths, cord, string and the like should never be left around the work area.
- Always switch the machine off prior to leaving it down.
- The tool must be used only for its prescribed purpose. Any use other than those mentioned in this Manual will be considered a case of misuse.

The user and not the manufacturer shall be liable for any damage or injury resulting from such cases of misuse.

- To use this tool properly, you must observe the safety regulations, the assembly instructions and the operating instructions found in this Manual. All persons who use and service the machine have to be acquainted with this Manual and must be informed about its potential hazards. Children and frail people must not use this tool. Children should be supervised at all times if they are in the area in which the tool is being used.

It is also imperative that you observe the accident prevention regulations in force in your area. The same applies for general rules of occupational health and safety.

- The manufacturer shall not be liable for any changes made to the tool nor for any damage resulting from such changes.
- The power tools must not be used outdoors in rainy weather, or in moist environment (after rain) or in close vicinity with easily flammable liquids and gases.

The working place should be well lit.

#### PARTS AND ACCESSORIES

1. Chuck
2. Left/right rotation switch L/R
3. On/off button
4. Variable speed dial
5. Lock-on button
6. Attachable handle
7. Depth gauge
8. Changeover switch

#### PRIOR TO FIRST USE

**Danger of injury!** Before all adjustments and settings:

- **Turn the machine off.**
- **Wait until the machine has come to a complete standstill.**
- **Pull out the power plug.**

**Attachable handle. (Never use the impact drill without the attachable handle!)**

The attachable handle provides additional support and allows you to work exhaustion-free. The attachable handle is intended for both right-and left-handed persons.

- Loosen the handle of the attachable handle (6) by turning it counter-clockwise.
- Guide the drill chuck (1) of the impact drill through the attachable handle.
- Then turn the attachable handle to the position which is best for you.
- Turn the handle clockwise until the attachable handle sits tightly and can no longer be moved.

### 5. OPERATION

#### Depth gauge

With the depth gauge (7), you can drill several holes with the same drilling depth.

- Loosen the wing screw of the attachable handle (6).
- Guide the depth gauge (7) through the opening on the attachable handle (6).
- To set the desired drilling depth.
- Pull the depth gauge out far enough so that the distance between the point of the drill and the point of the depth stopper is the desired drilling depth.
- Turn the wing screw clockwise until the attachable handle sits tightly and can no longer be moved.

#### Inserting the drill

- Place the drill socket key in one of the side holes of the drill socket and turn the drill socket clockwise.
- Select a designated drill and push it as far as possible into the drill socket opening.
- Tighten the drill socket by turning it counter-clockwise. Make sure that the drill is secure in the drill socket.
- Conduct a short test-run and make sure that the drill is tightly secured even after a complete run.

#### Using screw tools

When using screw bits, you should always use a universal bit holder. Only use screw bits which are compatible with the screw head. Make sure that the screw tools are only used with reduced rotation speed.

#### OPERATION

#### Changeover switch (drilling/ impact drilling)

Set the changeover switch (8) only when the impact drill is at a standstill.

- **Drilling operation mode:** Set the changeover switch (8) on the Drill position to work on wood, metal, plastic materials or for screwing.
- **Impact drilling operation mode:** Set the changeover switch (8) on the Hammer position to work on concrete, stone, or brick.

**Drilling concrete and brick** Use the hard metal drill and a high rotation speed.

**Drilling steel** Use the HSS drill (HSS: high-alloy quick-working steel) and a low rotation speed.

**Screwing in/loosening screws** Use a low rotation speed.

**Drilling holes** When you would like to drill deep holes in hard materials, such as steel, we recommend that you first pre-drill the hole with a small drill.

#### Turning on/off

- Connect the power plug to a power outlet.
- Attach the drilling machine directly to the drill spot.
- Press and hold the on/off button (3) to turn the machine on.
- To turn the machine off, let go of the on/off button (3).

#### Long duration operation

**Danger of injury !** Should the machine should fall out of your hand during long duration operation, it will not automatically shut off. In this situation, immediately pull out the power plug and turn the machine off. To ensure a safe long duration operation:

## 6. CARE AND MAINTENANCE

- Hold the machine securely at all times.
- Always keep one finger on the on/off button to be able to turn it off quickly. For long duration operation, you can push the lock-on button (5) once. The on/off button (3) must be pressed for this. The machine will stay on until the on/off button is pushed quickly once again.

### Setting the rotation speed

By pressing the on/off button (3), you can set the rotation speed during idle operation. The optimal rotation speed depends on the material drilled, the operation mode, and the inserted drill.

Light pressure on the on/off button: low rotation speed

Greater pressure on the on/off button: higher rotation speed

### Selecting the rotation direction

- Do not set the left/right rotation switch during drilling.
- The rotation direction is always according to the switch position.
- Switch position R: right-rotation/forward/clockwise. To drill and to screw in screws, push the right/left rotation switch (2) all the way to the right.
- Switch position L: left-rotation/backward/counter-clockwise. To loosen or pull out screws and nuts, push the right/left rotation switch (2) to the left until the stopper.

**Cooling the motor** If the motor has intensely overheated, allow it to run idle for 2 to 3 minutes on maximum rotation speed.

## CARE AND MAINTENANCE

**WARNING:** Always ensure that the tool is switched off and unplugged before attempting to perform inspection or maintenance.

**BRUSH REPLACEMENT** When the carbon brushes are worn out, brushes must be replaced simultaneously with genuine brushes at STATUS service centre for warranty and post-warranty service.

**GENERAL INSPECTION** Regularly inspect all fasteners and ensure they are properly tightened. Should any of the screws be loose, retighten it immediately to avoid hazards. If the replacement of the supply cord is necessary, this has to be done by the manufacturer or his agent in order to avoid a safety hazard.

**CLEANING** For safe operation always keep the machine and its ventilation slots clean. Regularly check to see if any dust or foreign matter has entered the ventilation slots and the grills around the switches. Use a soft brush and/or air jet to remove any accumulated dust. Wear safety glasses to protect your eyes whilst cleaning. Exterior plastic parts may be cleaned with a damp cloth and mild detergent if necessary.

**WARNING:** Never use alcohol, petrol or other cleaning agent. Never use caustic agents to clean plastic parts.

**WARNING:** Water must never come into contact with the tool.

**IMPORTANT!** To assure product safety and reliability, repairs, maintenance and adjustment (including brush inspection and replacement) should be performed by certified service centres or other qualified service organisations, always using genuine replacement parts.

## 7. TECHNICAL DATA

## 8. CE DECLARATION OF CONFORMITY

### ATTENTION!

The consumer can independently replace only the drill chuck on this product.

### TECHNICAL DATA

Model	DP851
Operating power	220-240V~50 Hz
Capacity	850W
Idle rotation speed n.	0-2700/min
Chuck capacity	13 mm
Weight	2,4 kg
Maximum drilling depth:	
Wood	25 mm
Steel	13 mm
Concrete	13 mm

### Noise and vibration information

Noise emission (measured values determined according to EN 60745):

A-weighted sound pressure level  $L_{pA}$  94 dB(A) Uncertainty  $K_{pA}$  3.0 dB

A-weighted sound power level  $L_{WA}$  105 dB(A) Uncertainty  $K_{WA}$  3.0 dB

### Wear hearing protection!

### Vibration emission

Total vibration values (vector sum in the three axes) determined according to EN 60745

Vibration emission value  $a_{hID}$  9 m/s<sup>2</sup> Uncertainty  $K$  1.5 m/s<sup>2</sup>

## CE DECLARATION OF CONFORMITY

We STATUS ITALIA S.R.L. as the responsible manufacturer declare that the following STATUS machine(s): Impact Drill Model No./ Type: DP851 are of series production and conforms to the following European Directives: 2006/42/EC, 2011/65/EU, 2014/30/EU

And are manufactured in accordance with the following standards or standardised documents:

EN 60745-1:2009 + A11:2010 EN 60745-2-1:2010

EN 55014-1:2006/+A1:2009+A2:2011, EN 55014-2:2015

EN 61000-3-2:2014, EN 61000-3-3:2013

The technical documentation kept by the manufacturer: STATUS ITALIA S.R.L., via Aldo Moro, 14/A, 36060 - Pianezze (VI), ITALY

Caron Giacinto  
Director  
STATUS ITALIA S.R.L.

# 1. ALLGEMEINE SICHERHEITSHINWEISE

## **ALLGEMEINE SICHERHEITSHINWEISE**

**WARNUNG:** Lesen Sie alle Sicherheitshinweise und Anweisungen. Versäumnisse bei der Einhaltung der Sicherheitshinweise und Anweisungen können elektrischen Schlag, Brand und/oder schwere Verletzungen verursachen.

**Bewahren Sie alle Sicherheitshinweise und Anweisungen für die Zukunft auf.**

Der in den Sicherheitshinweisen verwendete Begriff „Elektrowerkzeug“ bezieht sich auf netzbetriebene Elektrowerkzeuge (mit Netzkabel) und auf akkubetriebene Elektrowerkzeuge (ohne Netzkabel).

### **1) Arbeitsplatzsicherheit**

- **Halten Sie Ihren Arbeitsbereich sauber und gut beleuchtet.** Unordnung oder unbeleuchtete Arbeitsbereiche können zu Unfällen führen.
- **Arbeiten Sie mit dem Elektrowerkzeug nicht in explosionsgefährdeter Umgebung, in der sich brennbare Flüssigkeiten, Gase oder Stäube befinden.** Elektrowerkzeuge erzeugen Funken, die den Staub oder die Dämpfe entzünden können
- **Halten Sie Kinder und andere Personen während der Benutzung des Elektrowerkzeugs fern.** Bei Ablenkung können Sie die Kontrolle über das Gerät verlieren.

### **2) Elektrische Sicherheit**

- **Halten Sie das Elektrowerkzeug auf den isolierten Oberflächen, während Sie Arbeiten ausführen, in Fällen, in denen das Schneidwerkzeug direkt mit verborgenen Stromkabeln in Kontakt kommen kann oder ein Netzkabel stören kann.**
- **Der Anschlussstecker des Elektrowerkzeuges muss in die Steckdose passen.** Der Stecker darf in keiner Weise verändert werden. Verwenden Sie keine Adapterstecker gemeinsam mit schutzgeerdeten Elektrowerkzeugen. Unveränderte Stecker und passende Steckdosen verringern das Risiko eines elektrischen Schlages.
- **Vermeiden Sie Körperkontakt mit geerdeten Oberflächen wie von Rohren, Heizungen, Herden und Kühlschränken.** Es besteht ein erhöhtes Risiko durch elektrischen Schlag, wenn Ihr Körper geerdet ist.
- **Halten Sie Elektrowerkzeuge von Regen oder Nässe fern.** Das Eindringen von Wasser in ein Elektrowerkzeug erhöht das Risiko eines elektrischen Schlages.
- **Zweckentfremden Sie das Kabel nicht, um das Elektrowerkzeug zu tragen, aufzuhängen oder um den Stecker aus der Steckdose zu ziehen.** Halten Sie das Kabel fern von Hitze, Öl, scharfen Kanten oder sich bewegenden Geräteteilen. Beschädigte oder verwickelte Kabel erhöhen das Risiko eines elektrischen Schlages.
- **Wenn Sie mit einem Elektrowerkzeug im Freien arbeiten, verwenden Sie nur Verlängerungskabel, die auch für den Außenbereich geeignet sind.** Die Anwendung eines für den Außenbereich geeigneten Verlängerungskabels verringert das Risiko eines elektrischen Schlages.
- **Wenn der Betrieb des Elektrowerkzeuges in feuchter Umgebung nicht vermeidbar ist, verwenden Sie einen Fehlerstromschutzschalter.** Der Einsatz eines Fehlerstromschutzschalters vermindert das Risiko eines elektrischen Schlages.

### **3) Sicherheit von Personen**

- **Seien Sie aufmerksam, achten Sie darauf, was Sie tun, und gehen Sie mit Vern-**

# 1. ALLGEMEINE SICHERHEITSHINWEISE

**unft an die Arbeit mit einem Elektrowerkzeug. Benutzen Sie kein Elektrowerkzeug, wenn Sie müde sind oder unter dem Einfluss von Drogen, Alkohol oder Medikamenten stehen.** Ein Moment der Unachtsamkeit beim Gebrauch des Elektrowerkzeuges kann zu ernsthaften Verletzungen führen.

- **Tragen Sie persönliche Schutzausrüstung und immer eine Schutzbrille.** Das Tragen persönlicher Schutzausrüstung, wie Staubmaske, rutschfeste Sicherheitsschuhe, Schutzhelm oder Gehörschutz, je nach Art und Einsatz des Elektrowerkzeuges, verringert das Risiko von Verletzungen. Tragen Sie Ohrenschützer mit Schlagbohrern. Lärmbelastung kann zu Hörverlust führen.
- **Vermeiden Sie eine unbeabsichtigte Inbetriebnahme. Vergewissern Sie sich, dass das Elektrowerkzeug ausgeschaltet ist, bevor Sie es an die Stromversorgung und/oder den Akku anschließen, es aufnehmen oder tragen.** Wenn Sie beim Tragen des Elektrowerkzeuges den Finger am Schalter haben oder das Gerät eingeschaltet an die Stromversorgung anschließen, kann dies zu Unfällen führen.
- **Entfernen Sie Einstellwerkzeuge oder Schraubenschlüssel, bevor Sie das Elektrowerkzeug einschalten.** Ein Werkzeug oder Schlüssel, der sich in einem drehenden Geräteteil befindet, kann zu Verletzungen führen.
- **Vermeiden Sie eine abnormale Körperhaltung.** Sorgen Sie für einen sicheren Stand und halten Sie jederzeit das Gleichgewicht.
- **Tragen Sie geeignete Kleidung. Tragen Sie keine weite Kleidung oder Schmuck.** Halten Sie Haare, Kleidung und Handschuhe fern von sich bewegenden Teilen.
- **Wenn Staubabsaug- und -auffangeinrichtungen montiert werden können, vergewissern Sie sich, dass diese angeschlossen sind und richtig verwendet werden.**
- 4) Verwendung und Behandlung des Elektrowerkzeuges**
- **Überlasten Sie das Gerät nicht. Verwenden Sie für Ihre Arbeit das dafür bestimmte Elektrowerkzeug.** Mit dem passenden Elektrowerkzeug arbeiten Sie besser und sicherer im angegebenen Leistungsbereich.
- **Benutzen Sie kein Elektrowerkzeug, dessen Schalter defekt ist.** Ein Elektrowerkzeug, das sich nicht mehr ein- oder ausschalten lässt, ist gefährlich und muss repariert werden.
- **Ziehen Sie den Stecker aus der Steckdose und/oder entfernen Sie den Akku, bevor Sie Geräteeinstellungen vornehmen, Zubehörteile wechseln oder das Gerät weglegen.** Diese Vorsichtsmaßnahme verhindert den unbeabsichtigten Start des Elektrowerkzeuges.
- **Bewahren Sie unbenutzte Elektrowerkzeuge außerhalb der Reichweite von Kindern auf.** Lassen Sie Personen das Gerät nicht benutzen, die mit diesem nicht vertraut sind oder diese Anweisungen nicht gelesen haben.
- **Pflegen Sie Elektrowerkzeuge mit Sorgfalt. Kontrollieren Sie, ob bewegliche Teile einwandfrei funktionieren und nicht klemmen, ob Teile gebrochen oder so beschädigt sind, dass die Funktion des Elektrowerkzeuges beeinträchtigt ist. Lassen Sie beschädigte Teile vor dem Einsatz des Gerätes reparieren.** Viele Unfälle haben ihre Ursache in schlecht gewarteten Elektrowerkzeugen.

## 2. ZUSÄTZLICHE SICHERHEITSHINWEISE

- **Halten Sie Schneidwerkzeuge scharf und sauber.** Sorgfältig gepflegte Schneidwerkzeuge mit scharfen Schneidkanten verklemmen sich weniger und sind leichter zu führen.
- **Verwenden Sie Elektrowerkzeug, Zubehör, Einsatzwerkzeuge usw. entsprechend diesen Anweisungen. Berücksichtigen Sie dabei die Arbeitsbedingungen und die auszuführende Tätigkeit.** Der Gebrauch von Elektrowerkzeugen für andere als die vorgesehenen Anwendungen kann zu gefährlichen Situationen führen.

### 5) Service

- **Lassen Sie Ihr Elektrowerkzeug nur von qualifiziertem Fachpersonal und nur mit Original-Ersatzteilen reparieren.** Damit wird sichergestellt, dass die Sicherheit des Elektrowerkzeuges erhalten bleibt.

### **ZUSÄTZLICHE SICHERHEITSHINWEISE FÜR SCHLAGBOHRMASCHINEN**

#### **Tragen Sie Gehörschutz bei der Benutzung von Schlagbohrmaschinen.**

Die Einwirkung von Lärm kann Hörverlust bewirken.

- **Benutzen Sie die mit dem Gerät gelieferten Zusatzhandgriffe.**

Der Verlust der Kontrolle über die Maschine kann zu Verletzungen führen.

**Verwenden Sie während der Arbeit geeignete Augenschutzmittel um sich vor fliegenden Teilchen zu schützen.** Tragen Sie eine Schutzbrille.

**Treffen Sie Schutzmaßnahmen gegen das Einatmen von Staub.** Manche Werkstoffe können toxische Bestandteile enthalten. Tragen Sie eine Staubschutzmaske.

- **Halten Sie das Gerät nur an den isolierten Griffflächen, wenn Sie Arbeiten ausführen, bei denen das Einsatzwerkzeug verborgene Stromleitungen oder das eigene Netzkabel treffen kann.** Der Kontakt mit einer spannungsführenden Leitung kann auch metallene Geräteteile unter Spannung setzen und zu einem elektrischen Schlag führen.

- **Bearbeiten Sie keine Werkstoffe die Asbest enthalten.** Asbest gilt als krebserregend.

**WARNUNG:** Bevor Sie das Elektrogerät an das Stromnetz anschließen, überzeugen Sie sich, dass die Versorgungsspannung der angegebenen Spannung auf der Tabelle mit den technischen Daten (auf dem Typenschild) des Elektrogeräts entspricht.

- Eine höhere Spannung als auf dem Typenschild angegeben kann ernsthafte Verletzungen für den Bediener und Schäden am Elektrowerkzeug hervorrufen.

- Wenn sie Zweifel haben, stecken Sie den Stecker des Elektrowerkzeugs nicht in die Steckdose.

- Niedrigere Spannung als auf dem Typenschild angegeben kann das Elektrowerkzeug beschädigen.

- Um ein eventuelles Überhitzen eines Verlängerungskabels zu vermeiden, wickeln Sie das Kabel der Kabeltrommel immer bis zum Ende ab.

- Falls das Benutzen eines Verlängerungskabels erforderlich ist, überzeugen Sie sich, dass der Querschnitt des Kabels dem Nennstrom des benutzten Elektrowerkzeuges entspricht. Überzeugen Sie sich von der Funktionstüchtigkeit des Kabels und prüfen Sie es auf Schäden.

**WARNUNG:** Schalten Sie das Elektrowerkzeug vor jeglichen Einstellungs-, Wartungs- und Reparaturarbeiten aus und trennen Sie es vom Netz. Das gleiche gilt bei Stromaus-

## 2. ZUSÄTZLICHE SICHERHEITSHINWEISE

- fall (Gefahr des unbeabsichtigten Wiederanlaufens).
- Wenn Sie arbeiten, halten Sie die Maschine mit den beiden Händen fest und nehmen Sie eine stabile Körperhaltung ein. Sie können das Elektrowerkzeug sicherer führen, wenn Sie es mit beiden Händen halten.
- Überprüfen Sie vor dem Beginn der Arbeit die Stelle die sie anbohren wollen mit einem geeigneten Metallsuchgerät auf versteckte Strom-, Gas- oder Wasserleitungen. Die Berührung des Bohrers mit einer verborgenen Elektroinstallation kann einen Brand oder eine Verletzung durch den elektrischen Strom hervorrufen. Der Schaden an einer Gasleitung kann eine Explosion hervorrufen. Das Durchbrechen einer Wasserleitung wird einen Wasserschaden oder eine Verletzung durch elektrischen Strom hervorrufen.
- Halten Sie das Versorgungskabel außerhalb des Arbeitsbereiches der Maschine.
- Arbeiten Sie nicht mit dem Elektrowerkzeug wenn das Netzkabel beschädigt ist. Berühren Sie nicht die beschädigte Leitung. Ziehen Sie den Stecker aus der Steckdose wenn das Kabel während der Arbeit beschädigt wird.
- Fixieren Sie das Werkstück, das Sie bearbeiten, in einem Schraubstock oder auf eine andere geeignete Weise
- Berühren Sie den Bohrer oder das bearbeitete Werkstück nicht gleich nach der Arbeit. Sie können sehr heiß sein und können eine Verbrennung der Haut hervorrufen.
- Halten Sie Ihren Arbeitsplatz immer sauber. Das Eindringen von Staub unterschiedlicher Materialien ist besonders gefährlich. Der Staub von leichten Metallen kann brennen oder explodieren.
- Lassen Sie niemals Lappen, Leitungen oder Draht in der Nähe des Arbeitsplatzes.
- Schalten Sie immer die Maschine aus, bevor Sie sie beiseite legen.
- Verwenden Sie das Gerät nur gemäß seinem bestimmten Zweck. Jeder andere Gebrauch, unterschiedlich vom beschriebenen in dieser Anleitung, wird man als nicht korrekter Gebrauch betrachtet. Die Haftung für jeden Schaden oder Verletzung, entstanden durch einen nicht korrekten Gebrauch, trägt in diesem Fall der Benutzer und nicht der Hersteller.
- Um Sie dieses Elektrowerkzeug korrekt zu benutzen, müssen Sie die Sicherheitsvorschriften, sowie die allgemeinen Anleitungen und Arbeitshinweise, angegeben im vorliegenden Dokument beachten. Alle Benutzer müssen sich mit dieser Betriebsanleitung bekanntmachen und müssen über die potentiellen Risiken bei der Arbeit mit dem Elektrowerkzeug informiert werden. Kinder und körperlich schwache Menschen dürfen das Elektrowerkzeug nicht benutzen. Kinder müssen ununterbrochen beaufsichtigt werden wenn sie sich in der Nähe der Stelle, wo man mit dem Elektrowerkzeug arbeitet befinden. Treffen Sie unbedingt vorbeugende Sicherheitsmaßnahmen. Das gleiche betrifft auch die Einhaltung der Vorschriften für die berufliche Sicherheit und für Gesundheit.
- Der Hersteller trägt keine Haftung für vom Benutzer gemachte Änderungen des Elektrowerkzeuges oder für Schaden, verursacht durch solche Änderungen.
- Das Elektrowerkzeug darf nicht im Freien bei Regenwetter, in einer feuchten Umgebung (nach einem Regen) oder in der Nähe von leicht entzündbaren Flüssigkeiten und Gasen benutzt werden. Die Arbeitsstelle muss gut beleuchtet sein.

#### ARBEITSHINWEISE

Dieses Elektrowerkzeug wird mit einphasiger Wechselspannung versorgt. Man kann es an Kontaktsteckdosen ohne Schutzklemmen anschließen. Es ist nach EN 60745-1 und IEC 60745 doppelt isoliert. Die Funkstörungen entsprechen der EMV-Richtlinie zur Elektromagnetischen Verträglichkeit.

Diese Elektrowerkzeuge sind zum Bohren in Beton (und andere bröckelige Materialien), Stahl, Holz u.a. bestimmt.

#### BEVOR SIE MIT DER ARBEIT BEGINNEN

- Überprüfen Sie ob die Spannung des Versorgungsnetzes der auf dem Typenschild mit den technischen Daten des Elektrowerkzeuges angegebenen Spannung entspricht.
- Überprüfen Sie in welcher Stellung der sich Schalter befindet. Das Gerät darf nur mit ausgeschaltet ans Netz angeschlossen und vom Netz getrennt werden. Falls Sie den Netzstecker in die Steckdose stecken wenn das Gerät eingeschaltet ist wird es sofort beginnen anzulaufen was die Voraussetzung für einen schweren Unfall sein kann.
- Überzeugen Sie sich vom ordnungsgemäßen Zustand des Versorgungskabels und des Steckers. Falls das Versorgungskabel beschädigt ist, darf es nur vom Hersteller oder einem autorisierten Servicefachmann ausgetauscht werden um eventuelle Gefährdungen zu vermeiden.

**WARNUNG:** Schalten Sie das Elektrowerkzeug vor jeglichen Einstellungs-, Wartungs- und Reparaturarbeiten aus und trennen Sie es vom Netz. Das gleiche gilt bei Stromausfall (Gefahr des unbeabsichtigten Wiederanlaufens).

- Wenn die Arbeitszone von der Stromquelle entfernt ist, benutzen Sie ein so kurz wie möglich Verlängererkabel mit geeignetem Querschnitt.
- Überprüfen Sie ob der Zusatzhandgriff richtig sitzt und festgezogen ist.

**WARNUNG:** Überprüfen Sie vor dem Arbeitsbeginn immer die Drehrichtung. Benutzen Sie den Hebel zum Wechseln der Drehrichtung nur wenn die Spindel ihre Drehung ganz gestoppt hat. Die Änderung der Drehrichtung vor dem endgültigen Stoppen der Spindel kann das Elektrowerkzeug beschädigen.

#### ELEMENTE DES ELEKTROWERKZEUGS

Vor dem Beginn der Arbeit mit der Bohrmaschine machen Sie sich mit allen operativen Besonderheiten und Sicherheitsbedingungen bekannt. Benutzen Sie das Elektrowerkzeug und das Zubehör dazu nur zweckmäßig. Jede andere Anwendung ist ausdrücklich verboten.

1. Bohrfutter
2. Links/Rechts - Drehschalter
3. Ein/Aus - Taste
4. Variable Kurzwahl
5. Festsstellknopf
6. Zusatzhandgriff
7. Tiefenmesser
8. Umschalter

#### EIN- UND AUSSCHALTEN

##### Momentschaltung:

- Einschalten: Ein-Aus-Schalter (3) drücken.
- Ausschalten: Ein-Aus-Schalter (3) loslassen.

##### Dauerschaltung:

- Einschalten: Ein-Aus-Schalter (3) drücken und bei gedrückter Stellung mit dem Feststellknopf (5) arretieren.
- Ausschalten: Ein-Aus-Schalter (3) kurzzeitig drücken und sofort loslassen.

#### STUFENLOSE ELEKTRONISCHE DREHZAHLEGELUNG

Durch leichtes Drücken des Ein-Aus-Schalters (3) wird die Maschine mit niedrigen Drehzahlen angefahren. Die Drehzahl wird durch Anheben des Druckes auf den Ein-Aus-Schalter bis zum Anschlag stufenlos bis max erhöht.

**VORWAHL DER DREHZAHLE** Man wählt die erforderliche Maximaldrehzahl im Voraus durch das Drehen des Rädchens des Reglers (4). Dadurch wird ein optimales Bohren in verschiedenen Materialien - Metall, Holz, Kunststoffe u.a. - gesichert.

#### DREHRICHTUNGSWECHSEL

Die Endstellung des Hebels (2) nach rechts bedeutet Drehen in Richtung Uhrzeigersinn, die Endstellung nach links - entgegengesetzt. Bei gedrücktem Ein-Aus-Schalter (3) kann der Hebel (2) nicht betätigt werden. Ein Drehrichtungswechsel kann nur bei Stillstand der Maschine erfolgen.

#### BETRIEBSARTENUMSCHALTUNG

- Bohren in Metall, Holz u.a. Der Umschalter (8) ist in Endstellung nach rechts und das Zeichen "Bohrer" ist sichtbar.
- Bohren in Beton, Gestein u.a. Der Umschalter (8) ist in Endstellung nach links und das Zeichen "Hammer" ist sichtbar.

Die Betriebsartenumschaltung kann auch bei laufender Bohrmaschine erfolgen.

#### EINSETZEN UND FESTZIEHEN EINES BOHRERS

Durch Drehen am Kranz des Bohrfutters (1) in Richtung Uhrzeigersinn oder entgegengesetzt bewegen sich die Backen zu einer solchen Stellung, dass der Bohrer zwischen ihnen eingeführt werden kann. Durch Drehen am Kranz des Bohrfutters (1) in Richtung Uhrzeigersinn wird der Schaft des Bohrers eingeklemmt. Durch den Bohrfutterschlüssel wird der Bohrer endgültig im Bohrfutter verspannt, wobei man gleichmäßig an den drei Öffnungen anziehen soll.

#### DEMONTAGE DES BOHRFUTTERS

Die Backen des Bohrfutters (1) soweit wie möglich öffnen. Mit einem Schraubenzieher die Sicherungsschraube mit Linksgewinde lösen. Die Stelle zur Fixierung der Spindel mit einem Schraubenschlüssel erfassen. Den Sonderschlüssel zum Festziehen des Bohrfutters in eine der drei Öffnungen einlegen. Durch Drehen in Richtung entgegengesetzt dem Uhrzeigersinn das Bohrfutter (1) von der Spindel aufdrehen, wobei der Schlüssel als Hebel benutzt wird.

#### ZUSATZGRIFF

Der Zusatzgriff (6) wird am Hals an die Maschine eingedreht. Aus Sicherheitsgründen soll der Zusatzgriff stets benutzt werden.



## 4. WARTUNG

### EMPFEHLUNGEN ZUR ARBEIT MIT DER BOHRMASCHINE:

Bei Betonbohrung einen mäßigen Druck anwenden! Der starke Druck steigert die Bohrleistung nicht, führt aber zur Verkürzung der Lebensdauer des Elektrowerkzeugs. Bei den Maschinen mit elektronischem Regler mit niedrigerer Drehzahl als die maximale bohren, indem Sie die Drehzahl in Abhängigkeit vom Material wählen. Hartmetallbestückte Bohrer verwenden. Nur Bohrer mit zylindrischen Schaft einspannen. Von Zeit zu Zeit den Bohrer aus der Bohrung ziehen, um den Staub zu beseitigen. Auf die Abnutzung des Bohrers achten und ihn auswechseln, wenn eine wesentliche Absenkung der Leistungsfähigkeit festgestellt wird. Bohrungen mit großem Durchmesser zuerst mit einem kleineren Bohrer vorbohren. Der optimale Bereich beim Bohren in Beton ist bis 8 mm, und der mögliche Bereich ist bis 13 mm.

### ZUBEHÖR, DAS MIT DIESEM ELEKTROWERKZEUG BENUTZT WERDEN KANN

- Metallbohrer mit Durchmesser von Ø1,5 bis Ø13 mm
- Holzbohrer mit Durchmesser von Ø3 bis Ø25 mm
- Betonbohrer mit Durchmesser von Ø3 bis Ø13 mm

**WARNUNG:** Zur Arbeit mit diesem Elektrowerkzeug wird nur das oben angegebene Zubehör empfohlen. Das Benutzen von Einrichtungen oder Zubehör, die anders als die angegebenen sind, stellt eine Voraussetzung für Arbeitsunfall dar. Benutzen Sie Zubehör und Einrichtungen nur zweckmäßig. Falls Sie zusätzliche Informationen betreffend dieses Zubehör brauchen, wenden Sie sich an den örtlichen STATUS-Service.

### WARTUNG

**WARNUNG:** Vor jeder Wartung oder Überprüfung das Elektrowerkzeug immer ausschalten und den Stecker aus der Steckdose ziehen.

**AUSWECHSELN DER BÜRSTEN** Wenn die Bürsten abgenutzt sind, sollen beide Bürsten gleichzeitig durch Originalbürsten im STATUS Kundendienst ausgewechselt werden.

**ALLGEMEINE ÜBERPRÜFUNG** Überprüfen Sie regelmäßig alle Befestigungselemente um sich zu überzeugen, dass sie fest angezogen sind. Falls einige der Schrauben lose sind, sofort festziehen, um Risikosituationen zu vermeiden. Falls das Versorgungskabel beschädigt ist, darf es nur vom Hersteller oder einem autorisierten Servicefachmann ausgetauscht werden um eventuelle Gefährdungen zu vermeiden.

**REINIGUNG** Für den sicheren Betrieb die Maschine und die Belüftungsöffnungen immer sauber halten. Regelmäßig überprüfen, ob in die Belüftungsöffnungen des Motors oder um die Umschalter Staub oder Fremdkörper eingedrungen sind.

Weichte Bürste und/oder Druckluft für die Entfernung des Staubes verwenden. Um die Augen während der Reinigung zu schützen, Schutzbrille tragen. Das Gehäuse der Maschine gegebenenfalls mit einem weichen feuchten Tuch abwischen. Hierfür kann zusätzlich eine schwache Reinigungslösung (Spülmittel) verwendet werden.

**WARNUNG:** Die Verwendung von Benzin oder anderen Lösungsmitteln ist unzulässig. Nie ätzende Präparate für die Reinigung der Kunststoffteile verwenden.

**WARNUNG:** Vermeiden Sie unbedingt das Wasser in die Maschine eindringt.

## 5. TECHNISCHE DATEN 6. KONFORMITÄTSERKLÄRUNG

**WICHTIG!** Um einen sicheren Betrieb des Elektrowerkzeuges und seine Zuverlässigkeit zu gewährleisten, sollten alle Arbeiten zur Reparatur, Wartung und Regelung (einschl. auch die Überprüfung und das Auswechseln der Bürsten) nur in den zuständigen Kundendienst von STATUS beim Verwenden von Originalersatzteilen durchgeführt werden.

**ACHTUNG!** Der Verbraucher kann bei diesem Produkt nur das Bohrfutter selbständig austauschen.

### TECHNISCHE DATEN

Modell	DP851
Nennaufnahme	850W
Leerlaufdrehzahl	0-7800/min
Bohrfutterkapazität	13 mm
Gewicht	2,4 kg
Max. Bohrdurchmesser:	Holz - 25 mm, Stahl - 13 mm, Beton - 13 mm.

### GERÄUSCH-/VIBRATIONSINFORMATION

Messwerte ermittelt entsprechend EN 60745.

Der A-bewertete Schalldruckpegel	L <sub>pA</sub>	94 dB(A)	Unsicherheit K <sub>pA</sub>	3.0 dB
Der A-bewertete Schalleistungspegel	L <sub>wA</sub>	105 dB(A)	Unsicherheit K <sub>wA</sub>	3.0 dB

### Schwingungsemissionswerte

Schwingungsgesamtwerte (EN 60745)

Schwingungsemissionswert a <sub>hID</sub>	9 m/s <sup>2</sup>
Unsicherheit K <sub>ID</sub>	1.5 m/s <sup>2</sup>

### KONFORMITÄTSERKLÄRUNG

Hiermit versichern wir unsere persönliche Haftung, dass dieses Erzeugnis allen einschlägigen Bestimmungen folgender Richtlinien und entsprechender harmonisierten Standards entspricht: 2006/42/EC, 2011/65/EU, 2014/30/EU, And are manufactured in accordance with the following standards or standardised documents:

EN 60745-1:2009 + A11:2010 EN 60745-2-1:2010,  
EN 55014-1:2006/+A1:2009+A2:2011, EN 55014-2:2015  
EN 61000-3-2:2014, EN 61000-3-3:2013

Die technischen Unterlagen werden bei STATUS ITALIA S.R.L., via Aldo Moro, 14/A, 36060 - Pianezze (VI), ITALY, aufbewahrt.

Caron Giacinto  
Director  
STATUS ITALIA S.R.L.

## 1. ISTRUZIONI GENERALI DI SICUREZZA

### ISTRUZIONI GENERALI DI SICUREZZA

**AVVERTENZA! Leggere tutte le istruzioni d'uso e le avvertenze di sicurezza.**

L'inosservanza delle istruzioni seguenti può causare folgorazioni, incendi e/o gravi danni a persone.

**Conservare con cura queste istruzioni.**

Il termine "utensile" in tutte le avvertenze successive si riferisce sia agli utensili collegati alla rete elettrica (con cavo di alimentazione) che agli utensili a batteria (senza cavo).

#### 1) Area di lavoro

- **Mantenere l'area di lavoro pulita e ben illuminata.** Le zone buie ed ingombre di oggetti favoriscono incidenti.
- **Non utilizzare l'utensile in presenza di liquidi infiammabili, gas o polvere.** Le scintille generate potrebbero infiammare polvere e/o vapore.
- **Tenere a distanza bambini e terzi durante il funzionamento.** Per una distrazione potreste perdere il controllo dell'utensile.

#### 2) Sicurezza elettrica

- **La spina dell'utensile deve essere adatta alla presa utilizzata. Non modificare la spina in alcun modo. Non utilizzare adattatori con gli utensili collegati a terra.** L'impiego di una spina integra ed una presa adatta riduce i rischi di folgorazione.
- **Evitare di toccare con il corpo le superfici collegate a terra quali tubi, radiatori, forni e frigoriferi.** Il rischio di folgorazione aumenta se il corpo è collegato a terra.
- **Non esporre l'utensile alla pioggia e all'umidità.** La penetrazione d'acqua nell'utensile aumenta il rischio di folgorazione.
- **Non utilizzare il cavo per scopi diversi da quello previsto.** Non utilizzare il cavo per trasportare o tirare l'utensile, oppure per staccare la spina dalla presa. Tenere il cavo lontano da fonti di calore, olio, parti appuntite o in movimento. Cavi danneggiati o attorcigliati aumentano il rischio di folgorazione.
- **Se l'utensile viene utilizzato all'aperto, usare una prolunga adatta all'uso esterno.** L'impiego di una prolunga da esterno reduce il rischio di folgorazione.
- **Se il lavoro in un ambiente umido è strettamente necessario, utilizzare una presa protetta da dispositivo a corrente residua.** Ciò reduce i rischi di scosse.

#### 3) Sicurezza personale

- **L'uso di elettrooutensili richiede attenzione e buon senso. Non utilizzare gli utensili se si è stanchi o sotto l'effetto di droghe, alcol o medicinali.** Una breve disattenzione può provocare gravi danni alle persone.
- **Munirsi di indumenti e dispositivi di protezione. Indossare sempre occhiali da lavoro.** L'uso di dispositivi di protezione tra cui mascherina antipolvere, scarpe antiscivolo, casco e protezioni per l'udito riduce il rischio di danni a persone.
- **Evitare l'accensione accidentale. Accertarsi che l'interruttore sia in posizione "OFF" prima di inserire la spina.** Se si trasportano gli utensili con il dito sull'interruttore o si inserisce la spina nella presa con l'interruttore in posizione "ON" aumenta il rischio di incidenti.
- **Togliere tutte le chiavi di regolazione prima di accendere l'utensile.** Una chiave lasciata inserita in una parte rotante di un utensile può provocare danni a persone.

## 1. ISTRUZIONI GENERALI DI SICUREZZA

- **Non utilizzare l'utensile in condizioni estreme. Mantenere sempre l'equilibrio ed i piedi ben appoggiati a terra.** Questo consente un maggior controllo dell'utensile in caso di imprevisti.
  - **Indossare un abbigliamento adeguato. Non indossare abiti svolazzanti o gioielli.** Tenere capelli, vestiti, e guanti lontani dalle parti in movimento. Abiti svolazzanti, gioielli o capelli potrebbero impigliarsi nelle parti in movimento.
  - **In presenza di apparecchiature per il collegamento a dispositivi di aspirazione e raccolta delle polveri, accertarsi che essi siano collegati ed utilizzarli correttamente.**
- #### 4) Uso e manutenzione dell'utensile
- **Utilizzare l'utensile più adatto per il lavoro da svolgere.** L'impiego dell'utensile giusto migliora la qualità del lavoro e la sicurezza.
  - **Non utilizzare l'utensile se non è possibile accenderlo e spegnerlo con l'apposito interruttore.** Gli utensili che non possono essere controllati con l'interruttore sono pericolosi e devono essere riparati.
  - **Staccare la spina dall'alimentazione di corrente prima di eseguire regolazioni, cambiare accessori o riporre l'utensile.** Osservando queste precauzioni si riduce il rischio di accensione accidentale dell'utensile.
  - **Riporre gli utensili non utilizzati fuori dalla portata dei bambini e non consentirne l'utilizzo a persone che non conoscono l'utensile o queste istruzioni.** Nelle mani di persone inesperte gli utensili possono diventare pericolosi.
  - **Sottoporre l'utensile a manutenzione.** Verificare il corretto allineamento di tutte le parti mobili, controllare che non siano grippate e che non vi siano rotture o altri guasti che potrebbero influire sul funzionamento dell'utensile.
  - **Tenere le punte e gli strumenti da taglio puliti ed affilati.** Se sottoposti ad una regolare manutenzione e pulizia consentono di lavorare in modo più preciso e sono maggiormente controllabili.
  - **Utilizzare l'utensile, gli accessori, gli attrezzi etc. secondo quanto indicato in queste istruzioni nonché tenendo in considerazione le condizioni di lavoro e il lavoro da eseguire.** L'impiego di utensili per scopi diversi da quelli per cui sono stati progettati può dare origine a situazioni pericolose.

#### MANUTENZIONE

- **Far riparare l'utensile da personale qualificato che utilizzi solo parti di ricambio originali.** In caso contrario la sicurezza dell'utensile potrebbe risultare compromessa.
- #### ISTRUZIONI SUPPLEMENTARI DI SICUREZZA NEL LAVORO CON TRAPANI
- Usare mezzi per protezione dell'udito nel lavoro con trapani battenti.** Il rumore intenso durante il lavoro può provocare lesioni all'udito.
- Usare sempre l'impugnatura supplementare fornita con la macchina.** La perdita di controllo può provocare infortunio sul lavoro.
- Usare durante il lavoro mezzi per protezione della vista, per proteggersi da corpuscoli volanti.** Indossare occhiali protettivi.
- Prendere precauzioni contro l'inalazione di polvere.** Alcuni materiali possono contenere ingredienti tossici. Indossare maschera antipolvere. Usare un dispositivo di depolverizzazione, se il suo collegamento all'elettrooutensile risulta possibile.

## 1. ISTRUZIONI GENERALI DI SICUREZZA

- **Tenere l'elettrotensile soltanto per le superfici isolate da prendere, nell'esecuzione di un'operazione in cui l'accessorio di taglio potrebbe toccare un impianto elettrico nascosto, o il proprio cordone.** Il contatto dell'accessorio di taglio con un conduttore sotto tensione metterà sotto tensione le parti metalliche aperte dell'elettrotensile, e l'operatore subirà una scossa elettrica.
- Non lavorare materiali contenenti amianto. L'amianto è considerato come una sostanza cancerogena.
- AVVERTENZA:** Prima di collegare l'elettrotensile alla rete di alimentazione, accertarsi che la tensione di alimentazione corrisponda a quella indicata sulla targhetta dati tecnici dell'elettrotensile.
- Una fonte di alimentazione dalla tensione superiore a quella indicata per l'elettrotensile, può causare sia una grave lesione di scossa elettrica all'operatore, sia un guasto all'elettrotensile.
- Se si ha qualsiasi esitazione, non innestare la spina dell'elettrotensile nella presa.
- L'uso di una fonte di alimentazione con tensione inferiore a quella indicata sulla targhetta dati tecnici dell'elettrotensile, danneggerà il motore elettrico.
- Per ovviare all'eventuale surriscaldamento, svolgere sempre completamente il cavo di prolunga con rocchetto.
- Quando si deve usare una prolunga, accertarsi che la sua sezione corrisponda alla corrente nominale dell'elettrotensile usato, nonché dello stato di efficienza della prolunga.
- AVVERTENZA:** Disinserire sempre l'elettrotensile e disinnestare la spina dalla presa prima di effettuare qualsiasi regolazione, sistemazione o manutenzione.
- Nel lavorare tenere sempre la macchina saldamente con entrambe le mani e mantenere una posizione stabile del corpo. L'elettrotensile viene guidato con maggiore sicurezza quando si afferra con entrambe le mani.
- Prima di cominciare il lavoro verificare con un metal detector appropriato, per la presenza di un nascosto impianto elettrico, una conduttura di gas o d'acqua, o cercare aiuto dai rispettivi uffici locali. Il contatto della punta con un impianto elettrico nascosto può provocare lesione da scossa elettrica. Il danneggiamento di una conduttura di gas può causare un'esplosione. La foratura di una conduttura d'acqua causerà danneggiamento a proprietà, o lesione da scossa elettrica.
- Tenere il cavo di alimentazione fuori dal raggio operativo della macchina.
- Non usare l'elettrotensile con il cavo danneggiato. Non toccare il cavo danneggiato ed estrarre la spina dalla presa se il cavo si guasta durante il lavoro. I cavi danneggiati aumentano il rischio di scossa elettrica.
- Mantenere sempre stabile la posizione del corpo. Nel lavorare con l'elettrotensile in quota accertarsi che non ci sia nessuno di sotto.
- Fissare il pezzo da lavorare in una morsa o in qualche altro modo conveniente.
- Sorvegliare il momento d'inerzia all'avviamento del trapano, o ad inceppamento della punta. Spegnerne subito l'elettrotensile se la punta si blocca. Stare all'erta per un'alta coppia reattiva, la quale può provocare contraccolpo. La punta si bloccherà se l'elettrotensile viene sovraccaricato, o se si inceppa nel materiale lavorato.
- Non toccare la punta o il pezzo da lavorare immediatamente dopo il lavoro. Essi potreb-

## 3. ISTRUZIONI PER L'USO

- Tenere l'elettrotensile lontano da materiali infiammabili, e non arroventarsi e causare ustione della pelle.
- Mantenere pulito il posto di lavoro. La mescolatura di polveri di diversi materiali è particolarmente pericolosa. La polvere di metalli leggeri può bruciare o esplodere.
- Non lasciare mai stracci, stoppa, conduttori o fili vicino al posto di lavoro.
- Spegnerne sempre la macchina prima di adagiarla in disparte.
- Usare l'elettrotensile soltanto secondo la sua destinazione d'uso. Qualsiasi altro impiego differente da quello descritto in questo manuale di istruzione, sarà ritenuto impiego erraneo. La responsabilità per qualsiasi guasto o ferimento, causati da uso erraneo, cadrà sull'utente, e non sul fabbricante.
- Per sfruttare correttamente questo elettrotensile, si devono rispettare le regole di sicurezza, le istruzioni generali, e le istruzioni di funzionamento qui riportate. Tutti gli utenti devono conoscere queste istruzioni di servizio, ed essere informati dei potenziali rischi nel lavoro con l'elettrotensile. Bambini e persone fisicamente deboli non devono usare l'elettrotensile. I bambini devono stare sotto continua sorveglianza se si trovano vicino ad un luogo dove si lavora con l'elettrotensile. È obbligatorio prendere anche precauzioni di sicurezza. Lo stesso concerne pure l'osservanza delle regole principali relative alla salute e alla sicurezza professionale.
- Il fabbricante non sarà tenuto responsabile per modifiche apportate dall'utente all'elettrotensile, o per guasti causati da tali modifiche.
- Non usare l'elettrotensile all'aperto quando piove, in un ambiente umido (dopo una pioggia), o in vicinanza di liquidi o gas facilmente infiammabili. Mantenere il posto di lavoro ben illuminato.

### ISTRUZIONI PER L'USO

#### PRENDERE VISIONE DELL'ELETTROTENSILE

**Prima di cominciare a lavorare con l'elettrotensile, prendere conoscenza di tutte le particolarità operative e condizioni di sicurezza.** Impiegare l'elettrotensile e i suoi accessori unicamente secondo la destinazione d'uso.

Ogni altro impiego è espressamente vietato.

1. Mandrino a cremagliera
2. Commutatore del senso di rotazione
3. Interruttore di avvio/arresto
4. Rotellina di selezione numero giri
5. Tasto di bloccaggio per interruttore avvio/arresto
6. Impugnatura supplementare
7. Guida di profondità
8. Selettore «Foratura/Foratura battente»

Questo elettrotensile viene alimentato soltanto di corrente alternata monofase. Avendo l'isolamento doppio conformemente all'EN 60745-1 e all'IEC 60745, esso si può innestare in prese senza piattine di massa. I disturbi radio corrispondono alla Direttiva di compatibilità elettromagnetica.

Questo elettrotensile è destinato a praticare fori in calcestruzzo (o altri materiali fragili), acciaio, legno, ecc.

### 3. ISTRUZIONI PER L'USO

#### PRIMA DI COMINCIARE IL LAVORO

- Verificare che la tensione della rete elettrica corrisponda a quella riportata sulla targhetta dati tecnici dell'elettrotensile.
- Verificare in che posizione si trova l'interruttore ON/OFF. Innestare in e disinnestare l'elettrotensile dalla presa della rete soltanto ad interruttore disinserito. Se la spina viene innestata nella presa mentre l'interruttore è nella posizione inserita, l'elettrotensile si metterà subito in moto, circostanza che potrebbe provocare un infortunio.
- Accertarsi dello stato di efficienza del cordone d'alimentazione e della spina. Se il cordone è danneggiato, la sostituzione deve essere eseguita dal fabbricante o da un suo specialista di centro assistenza, per evitare i pericoli della sostituzione.

**AVVERTENZA:** Disinserire sempre l'elettrotensile e disinnestare la spina dalla presa prima di effettuare qualsiasi impostazione, aggiustaggio o manutenzione.

- Se l'area del lavoro è lontana dalla fonte di alimentazione, usare una prolunga che sia la più corta possibile, con sezione adatta.
- Controllare che l'impugnatura supplementare sia montata correttamente e serrata in maniera affidabile.

**AVVERTENZA:** Prima di cominciare il lavoro, verificare sempre il senso di rotazione. Usare la leva per inversione del senso di rotazione solo dopo che l'alberino abbia completamente smesso di girare. L'inversione del senso di rotazione prima della completa cessazione di rotazione dell'alberino può danneggiare l'elettrotensile.

#### AVVIAMENTO - ARRESTO

##### Messa in moto per breve tempo:

- **Avviamento:** premere l'interruttore 3.
- **Arresto:** rilasciare l'interruttore 3.

##### Lavoro continuativo:

- **Avviamento:** premere l'interruttore 3 e, tenendolo premuto, bloccarlo con il pulsante 5.
- **Arresto:** premere l'interruttore 3 una sola volta e rilasciarlo subito.

#### REGOLAZIONE ELETTRONICA CONTINUA DEI GIRI

Una lieve pressione dell'interruttore 3 comporta l'azionamento del trapano a giri bassi, che aumentano dolcemente fino a quelli massimi con l'incremento della pressione dell'interruttore, fino a raggiungere la posizione estrema.

#### SELEZIONE DEI GIRI

Girando il regolatore elettronico 4 in senso orario o antiorario, si scelgono i giri necessari.

#### INVERSIONE DEL SENSO DI ROTAZIONE

La posizione estrema destra della leva 2 significa rotazione in senso orario, e l'estrema sinistra in senso antiorario. Premendo l'interruttore 3, la leva 2 non può essere azionata. L'inversione del senso di rotazione va effettuata soltanto in quiete del trapano.

#### COMMUTAZIONE DEI REGIMI DI FUNZIONAMENTO

- Praticare fori in metallo, legno, ecc. Il commutatore 8 è nella posizione estrema destra e si vede il simbolo "punta".
- Praticare fori in calcestruzzo, pietra, ecc. Il commutatore 8 è nella posizione estrema sinistra e si vede il simbolo "martello".

### 3. ISTRUZIONI PER L'USO

Si possono commutare i regimi di funzionamento anche con il trapano in moto.

#### METTERE E STRINGERE LA PUNTA

**In macchine con mandrino a chiave** Girando la corona del mandrino 1 in senso orario o antiorario, le sue ganasce si muovono fino ad una posizione che permetta al codolo della punta di entrare tra esse. Girando la corona del mandrino 1 in senso orario, le ganasce afferrano il codolo della punta. Fissare con la chiave speciale la punta definitivamente nel mandrino, girando uniformemente nei tre fori.

**In trapani con mandrino a serraggio rapido** Trattenerne la corona posteriore del mandrino e girare la corona anteriore finché il mandrino si apre abbastanza per poter mettervi la punta. Serrare poi la corona anteriore con la mano, al quale atto si sente un suono distinto.

#### SVITARE ED AVVITARE BULLONI, VITI E DADI

Nel mandrino 1 si stringe, nel modo descritto qui sopra, l'apposito dispositivo per avvitare e svitare bulloni, dadi o viti. Mettere il commutatore 8 dei regimi di funzionamento nella posizione estrema destra, in modo che si possa vedere completamente il simbolo "punta". Scegliere con la leva 2 per inversione del senso di rotazione l'operazione di svitare o avvitare. Svolgere le operazioni soltanto a giri bassi.

**AVVERTENZA:** Nell'avvitare lunghi bulloni o viti esiste il pericolo di slittamento del trapano.

#### CONSIGLI NEL LAVORO CON IL TRAPANO

Serrare l'impugnatura supplementare 6 al collare del trapano. Mediante la linea di limitazione 7 si può fissare la profondità dei fori praticati.

#### CONSIGLI NEL LAVORO CON IL TRAPANO

Esercitare una pressione moderata nel forare calcestruzzo. La forte pressione non aumenta il rendimento del forare, e causa invece una riduzione della durata utile della macchina. Nelle macchine con regolatore elettronico forare con un numero di giri inferiore a quello massimo, scegliendo i giri a seconda del materiale. Usare punte con lamelle in leghe dure e con codolo cilindrico. Estrarre di tanto in tanto la punta dal foro, per portare via la polvere.

Sorvegliare il grado di smussamento della punta e sostituirla quando si nota un considerevole ribasso del rendimento. Non forare direttamente con grosso diametro, fare in anticipo un foro con una punta più piccola. Il raggio ottimale nel forare calcestruzzo è fino a 8 mm, il raggio possibile essendo fino a 13 mm.

#### ACCESSORI CHE POSSONO ESSERE USATI CON QUESTO ELETTRUTENSILE

- Punta per acciaio con diametro da Ø1,5 mm a Ø13 mm
- Punta per legno con diametro da Ø3 mm a Ø25 mm
- Punta per calcestruzzo con diametro da Ø3 mm a Ø13 mm

**AVVERTENZA:** Per il lavoro con questo elettrotensile si consigliano gli accessori o dispositivi di cui sopra. L'uso di accessori o dispositivi differenti da quelli indicati, comporta infortunio sul lavoro. Usare accessori o dispositivi soltanto per la destinazione d'uso. Se ci vogliono ulteriori informazioni relative a tali accessori, rivolgersi al locale centro assistenza tecnica della STATUS.

**MANUTENZIONE**

**AVVERTENZA:** Spegnere sempre l'elettrotensile e staccare la spina dalla presa prima di qualsiasi verifica o manutenzione.

**SOSTITUZIONE DELLE SPAZZOLE** L'elettrotensile è dotato di spazzole che si disinseriscono da sole. Quando le spazzole diventano logore, sostituire entrambe le spazzole contemporaneamente con spazzole originali in un centro assistenza tecnica STATUS per manutenzione in o fuori garanzia.

**VERIFICA GENERALE** Verificare regolarmente tutti gli elementi di fissaggio e accertarsi che siano ben stretti. In caso che qualche vite si sia allentata, stringerla subito, per evitare situazioni di rischio. Se il cavo di alimentazione viene danneggiato, la sostituzione va effettuata dal fabbricante o da un suo specialista di centro assistenza, per evitare i pericoli della sostituzione.

**PULIZIA** Per un esercizio sicuro mantenere sempre pulite la macchina e le aperture di ventilazione. Controllare regolarmente che nella griglia di ventilazione vicino al motore elettrico o intorno ai commutatori non siano penetrati polvere o corpi estranei. Usare una spazzola morbida per rimuovere la polvere ammassata. Per proteggere gli occhi, indossare durante la pulizia occhiali protettivi. Se la carcassa della macchina necessita pulizia, spolverarla con un canovaccio morbido e umido. Si può usare un debole detergente.

**AVVERTENZA:** Non è ammesso l'uso di alcole, benzina o altri solventi. Non adoperare mai preparati attaccanti per la pulitura delle parti plastiche.

**AVVERTENZA:** Non è ammessa l'en-trata di acqua in contatto con la macchina.

**IMPORTANTE!** Per provvedere a un lavoro sicuro con l'elettrotensile, e alla sua affidabilità, tutte le attività relative alla riparazione, manutenzione e regolazione (ivi incluse la verifica e la sostituzione delle spazzole) vanno effettuare nei centri assistenza autorizzati STATUS, usando soltanto pezzi di ricambio originali.

**DATI TECNICI**

Trapano a percussione	DP851
Codice prodotto	0 21 411 01
Potenza nominale assorbita (W)	850
Tensione (V / Hz)	220-240 / 50
Numero di giri a vuoto (RPM)	2700
Mandrino	
- diametro (mm)	13
Capacità di foratura	
- Acciaio (mm)	13
- Legno (mm)	25
- Calcestruzzo (mm)	13
Peso in funzione della EPTA-Procedure 01/2003 (kg)	2,4
Classe di sicurezza	II

**ULTERIORI INFORMAZIONI**

Leggere attentamente tutte le istruzioni prima di iniziare a lavorare con l'utensile. L'azienda produttrice si riserva il diritto di apportare modifiche tecniche senza preavviso.

Le specifiche tecniche possono variare da paese a paese.

**INFORMAZIONI SUL RUMORE E SULLE VIBRAZIONI****Emissione acustica (EN 60745)**

A- livello di pressione sonora ponderata  $L_{pA}$  94 dB(A), Indeterminazione  $K_{pA}$  3.0 dB

A- livello di potenza sonora ponderata  $L_{wA}$  105 dB(A), Indeterminazione  $K_{wA}$  3.0 dB

**Emissione di vibrazioni (EN 60745-1)**

Valore delle vibrazioni emesse  $a_{hID}$  9 m/s<sup>2</sup>, Indeterminazione K 1,5 m/s<sup>2</sup>

**DICHIARAZIONE DI CONFORMITÀ CE**

Assumendone la piena responsabilità, dichiariamo che il prodotto descritto nei «Dati tecnici» è conforme alle seguenti normative ed ai relativi documenti: Directive 2006/42/EC, Directive 2011/65/EU, EMC Directive 2014/30/EU, EN 60745-1:2009/A11:2010, EN 60745-2-1:2010, EN 55014-1:2006/A2:2011, EN 55014-2:1997/A2:2008, EN 61000-3-2:2014, EN 61000-3-3:2013

  
Caron Giacinto  
L'Amministratore  
STATUS ITALIA S.R.L.

Fascicolo tecnico presso: Komby – Via Aldo Moro, 14/A, 36060 Pianezze (VI), Italia

## 1. ПРЕДНАЗНАЧЕНИЕ

### 2. СЪВЕТИ ЗА БЕЗОПАСНОСТ

#### ПРЕДНАЗНАЧЕНИЕ

Тази електрическа бормашина е предназначена за пробиване на дърво, керамика, пластмаса, бетон и метал, както и за завинтване и развинтване на винтове.

Всяка друга употреба е неподходяща. Бъркането или използването на части, които не са проверени или одобрени от производителя, също е неподходящо.

Неправилната употреба може да предизвика непредвидимо увреждане на потребителя и заобикалящите предмети. Производителят не поема отговорност за повредите в резултат на неправилна употреба.

#### СЪВЕТИ ЗА БЕЗОПАСНОСТ

**ПРЕДУПРЕЖДЕНИЕ!** Прочетете внимателно всички инструкции. Неспазването на всички инструкции, описани долу, може да доведе до електрически удар, пожар и/или сериозно нараняване.

Терминът "силов инструмент" във всички предупреждения, описан долу, се отнася за вашия захранван от ел. мрежата (кабелно) или с батерия (безжичен) уред.

##### 1) Безопасност на работното място

- **Поддържайте работното място чисто и добре осветено.** Безпорядъкът и недостатъчното осветление са предпоставка за трудови злополуки.
- **Не работете с електроинструменти в експлозивни атмосфери при наличие на запалими течности, газове или прах.** Електроинструментите образуват искри, които могат да възпламенят праха или парите.
- **Дръжте децата и страничните лица на разстояние, когато работите с електроинструмент.** Разсейването може да доведе до загуба на контрол от Ваша страна.

##### 2) Електрическа безопасност

- **Щепселите на електроинструментите трябва да съответстват на контактите.** Никога не променяйте щепсела по какъвто и да било начин. Не използвайте каквито и да са адаптерни щепсели за електроинструменти със защитно заземяване. Употребата на непроменени щепсели и съответстващите им контакти намалява риска за поражение от електрически ток.
- **Избягвайте допир на тялото до земя или до заземени повърхности, такива като тръби, радиатори, кухненски печки и хладилници.** Ако тялото ви е заземено, съществува повишен риск от поражение от електрически ток.
- **Не излагайте електроинструментите на дъжд или във влажна среда.** Проникването на вода в електроинструмента повишава риска от поражение от електрически ток.
- **Използвайте шнура по предназначение.** Никога не използвайте шнура за носене на електроинструмента, опъване или изваждане на щепсела от контактното гнездо. Дръжте шнура далече от топлина, масло, остри ръбове или движещи се части. Увредени или оплетени шнурове повишават риска за поражение от електрически ток.
- **При работа с електроинструмента на открито, използвайте удължител, подходящ за работа на открито.** Използването на удължител, подходящ за работа на открито, намалява риска от поражение от електрически ток.

## 2. СЪВЕТИ ЗА БЕЗОПАСНОСТ

- **Ако работата с електроинструмента във влажна среда е неизбежна, използвайте предпазно устройство, задействано от остатъчен ток, за прекъсване на захранването.** Използването на предпазно устройство намалява риска от поражение от електрически ток.

##### 3) Лична безопасност

- **Бъдете бдителни, работете с повишено внимание и проявявайте благодарумие, когато работите с електроинструмент.** Не използвайте електроинструмента, когато сте уморени или под влияние на наркотици, алкохол или медикаменти. Момент на невнимание при работа с електроинструмент може да предизвика сериозна трудова злополука.
  - **Използвайте лични предпазни средства.** Носете винаги средства за защита на очите. Лични предпазни средства, като маска против прах, неплъзгащи се безопасни обувки, защитен шлем или средства за защита на слуха, използвани при конкретните условия, намаляват риска от трудови злополуки.
  - **Избягвайте неволно пускане.** Убедете се, че прекъсвачът е в изключено положение преди включване към източник на захранване и/или акумулаторна батерия, преди да го вземете или пренасяте. Носенето на електроинструмент с пръст върху прекъсвача или свързването към източник на захранване на електроинструмент с прекъсвач във включено положение е предпоставка за трудова злополука.
  - **Отстранете всеки ключ за затягане или гаечен ключ преди включване на електроинструмента.** Ключ за затягане или гаечен ключ, прикрепен към въртяща се част на електроинструмента, може да предизвика трудова злополука.
  - **Не се пресягайте.** Поддържайте правилен строеж и равновесие през цялото време. Това позволява по-добро управление на електроинструмента при неочаквани ситуации.
  - **Носете подходящо работно облекло.** Не носете широки дрехи или бижута. Дръжте косите си, дрехите и ръкавиците далеч от движещи се части. Широки дрехи, бижута или дълги коси могат да се захванат от движещи се части.
  - **Ако електроинструментът е снабден с приспособления за засмукване и улавяне на прах, убедете се, че те са свързани и правилно използвани.** Използването на тези устройства може да намали свързаните с прах опасности.
- ##### 4) Използване и грижи за електроинструментите
- **Не претоварвайте електроинструмента.** Използвайте правилно избрания електроинструмент според приложението. Правилно избраният електроинструмент работи по-добре и по-безопасно при обявения режим на работа, за който е проектиран.
  - **Не използвайте електроинструмента, ако прекъсвачът не превключва във включено и изключено положение.** Всеки електроинструмент, който не може да бъде управляван с прекъсвач, е опасен и трябва да бъде ремонтиран.
  - **Разединете щепсела от захранващата мрежа преди да извършите всякакви настройки, преди замяна на принадлежности или преди да приберете електроинструмента за съхранение.** Тези предпазни мерки за безопасност намаляват риска от неволно пускане на електроинструмента.

## 2. СЪВЕТИ ЗА БЕЗОПАСНОСТ

- **Съхранявайте неизползваните електроинструменти на места, недостъпни за деца и не позволявайте на обслужващи лица, които не познават електроинструмента или не са запознати с тези инструкции, да работят с него.** Електроинструментите са опасни в ръцете на необучени потребители.
- **Поддържайте електроинструментите.** Проверявайте движещите се части дали функционират нормално и се движат свободно, целостта и изправността на частите, както и за всякакво друго обстоятелство, което може неблагоприятно да повлияе на работата на електроинструмента. Ако е повреден, електроинструментът трябва да бъде ремонтиран преди по-нататъшно използване. Много злополуки са причинени от лошо поддържани електроинструменти.
- **Поддържайте режещите инструменти остри и чисти.** Правилно поддържаните режещи инструменти с остри режещи ръбове е по-малко вероятно да блокират и са полесни за управление.
- **Използвайте електроинструмента, принадлежностите и частите на инструмента и т.н. в съответствие с тези инструкции и по начин, предвиден за конкретния тип електроинструмент, като вземате предвид работните условия и работата, която трябва да се извършва.** Използването на електроинструмента за работа, различна от тази, за която е проектиран, може да предизвика опасна ситуация.

### 5) Обслужване

- **Поддържайте вашия електроинструмент при квалифициран специалист по ремонта, като използвате само оригиналните резервни части.** Това осигурява запазването на безопасността на електроинструмента.

### ДОПЪЛНИТЕЛНИ УКАЗАНИЯ ЗА БЕЗОПАСНОСТ ПРИ РАБОТА С БОРМАШИНИ

**Използвайте средства за защита на слуха при работа с ударни бормашини.** Интензивният шум по време на работа може да предизвика слухови увреждания.

- **Винаги използвайте допълнителната ръкохватка, доставена с машината.** Загубата на контрол може да предизвика трудова злополука.

**По време на работа използвайте средства за защита на зрението, за да се предпазите от хвърчащи частици.** Носете защитни очила.

**Вземете предпазни мерки срещу вдишване на прах.** Някои материали могат да съдържат токсични съставки. Носете прахозащитна маска. Използвайте устройство за прахоотвеждане, ако е възможно присъединяването му към електроинструмента.

- **Дръжте електроинструмента само за изолираните повърхности за захващане когато извършвате операция, при която режещата принадлежност може да допре до скрита ел.инсталация или до собствения шнур.**

Допирът на режещата принадлежност до проводник под напрежение ще постави откритите метални части на електроинструмента под напрежение и операторът ще получи токов удар.

- **Не обработвайте материали, съдържащи азбест.** Азбестът се счита за канцерогенно вещество.

## 2. СЪВЕТИ ЗА БЕЗОПАСНОСТ

**ПРЕДУПРЕЖДЕНИЕ:** Преди да свържете електроинструмента към захранващата мрежа, убедете се че захранващото напрежение отговаря на посоченото върху табелката с технически данни на електроинструмента.

- Източник на захранване с напрежение, повисоко от посоченото за електроинструмента, може да предизвика както сериозно поражение от електрически ток върху оператора, така и повреда на електроинструмента.
- Ако имате някакви колебания, не поставяйте щепсела на електроинструмента в контактното гнездо.
- Използването на източник на захранване с напрежение, по-ниско от обозначеното върху табелката на електроинструмента, ще увреди електродвигателя.
- За да се предотврати евентуално прегряване, винаги развивайте докрай кабела от удължител с кабелен барабан.
- Когато се налага използването на удължител, убедете се, че сечението му отговаря на номиналния ток на използвания електроинструмент, както и в изправността на удължителя.

**ПРЕДУПРЕЖДЕНИЕ:** Винаги изключвайте електроинструмента и изваждайте щепсела от контакта преди извършване на всякаква настройка, обслужване или поддръжка.

- Докато работите винаги дръжте машината здраво с двете си ръце и поддържайте стабилно положение на тялото. Електроинструментът се направлява побезопасно, когато го държите с две ръце.
- Преди започване на работа проверявайте с подходящ металотърсач за наличието на скрита електроинсталация, газопровод или водопровод или потърсете съдействие от съответните местни служби. Допирът на свредлото до скрита електроинсталация може да предизвика пожар и поражение от електрически ток. Повредата на газопровод може да предизвика експлозия. Пробиването на водопровод ще предизвика повреда на собственост или поражение от електрически ток.
- Дръжте захранващия кабел извън работния обхват на машината.
- Не използвайте електроинструмента с повреден кабел. Не докосвайте повредения кабел и извадете щепсела от контакта, ако кабелът се повреди по време на работа. Повредените кабели повишават риска от токов удар.
- Винаги поддържайте стабилно положение на тялото си. Когато работите с електроинструмента на височина, убедете се, че под вас няма никой.
- Фиксирайте обработвания детайл в менгеме или по друг подходящ начин.
- Следете инерционния момент при пускане на бормашината или при заклиняване на свредлото.
- Не докосвайте свредлото или обработвания детайл веднага след работа. Те могат да бъдат много горещи и да предизвикат изгаряне на кожата.
- Поддържайте чисто работното място. Смесването на прах от различни материали е особено опасно. Прахът от леки метали може да гори или експлодира.
- Никога не оставяйте парцали, кълчища, проводници или тел в близост до работното място.
- Винаги изключвайте машината преди да я оставите настрана.

## 2. СЪВЕТИ ЗА БЕЗОПАСНОСТ

### 3. ЧАСТИ И АКЕСОАРИ

- Електроинструментът трябва да се използва само по предназначение. Всякаква друга употреба, различаваща се от описаната в тази инструкция, ще се счита за неправилна употреба. Отговорността за всякаква повреда или нараняване, произтичащи от неправилна употреба, ще се носи от потребителя, а не от производителя.
- За да експлоатирате правилно този електроинструмент, трябва да съблюдавате правилата за безопасност, общите инструкции и указанията за работа, посочени тук. Всички потребители трябва да са запознати с тази инструкция за експлоатация и информирани за потенциалните рискове при работата с електроинструмента. Деца и физически слаби хора не трябва да използват електроинструмента. Децата трябва да бъдат под непрекъснато наблюдение ако се намират в близост до място, където се работи с електроинструмента. Задължително е да предприемете и превантивни мерки за безопасност. Същото се отнася и за спазването на основните правила за професионалното здраве и безопасност.
- Производителят не носи отговорност за извършени от потребителя промени върху електроинструмента или за повреди, предизвикани от подобни промени.
- Електроинструментът е предназначен за работа в помещения и зони с нормална пожарна опасност съгласно "НАРЕДБА № 13-1971 за строително-технически правила и норми за осигуряване на безопасност при пожар". Не се допуска използването му във взривоопасна и пожароопасна среда, при температура на околния въздух над 40°C, в особено влажна среда, при наличие на валежи и в химически активна среда. Работното място трябва да е добре осветено.

### ЧАСТИ И АКЕСОАРИ

**Преди да започнете да работите с електроинструмента се запознайте с всички оперативни особености и условия за безопасност.**

**Използвайте електроинструмента и принадлежностите му само по предназначение.**

**Всяко друго приложение е изрично забранено.**

1. Патронник
2. Ключ за ляво/дясно въртене
3. Бутон а вкл/изкл
4. Регулатор на скоростта
5. Бутон за застопоряване
6. Помощна дръжка
7. Измервател за дълбочина
8. Ключ за превключване на удар

## 4. ПРЕДИ ПЪРВАТА УПОТРЕБА

### 5. РАБОТА

#### ПРЕДИ ПЪРВАТА УПОТРЕБА

**Опасност от нараняване!** Преди да правите настройки:

- Изключете машината. Изчакайте, докато машината спре напълно.
- Издърпайте щепсела.

**Инсталирайте страничната дръжка (помощта дръжка)**

Винаги използвайте страничната дръжка, за да осигурите безопасна работа.

- Инсталирайте страничната дръжка на корпуса на машината.
- След това затегнете дръжката, като завъртите добре по посока на часовниковата стрелка в желаната позиция. Може да се завърти на 360°, за да застане на сигурно място.

**Измервател на дълбочина**

Измервателят на дълбочина е удобен за пробиване на дупки с еднаква дълбочина.

- Охлабете страничната дръжка и поставете измервателят на дълбочина в дупката в страничната дръжка.
- Регулирайте измервателя на дълбочина на желаната дълбочина и затегнете страничната дръжка.

**БЕЛЕЖКА:** Измервателят на дълбочина не може да се използва в позиция, в която се удря в тялото на уреда.

**Поставяне на бургия**

- Поставете ключа на патронника в една от страничните дупки на патронника и завъртете патронника по посока на часовниковата стрелка.
- Изберете определената бургия и я натиснете колкото може в отвора на патронника.
- Затегнете патронника, като го завъртите обратно на часовниковата стрелка. Уверете се, че бургията е здраво закачена на патронника.
- Проведете кратък тест и проверете отново след като бормашината е спряла напълно, дали бургията е все така здраво застанала.

**Използване на инструменти за завинтване** При използване на части за завинтване трябва винаги да използвате универсален държач за части. Използвайте само части за завинтване, които са съвместими с главите.

- **Наличието на специални електроинструменти.** Не се изискват специални инструменти.
- **Затягане на обработвания детайл.** Фиксирайте обработвания детайл в менгеме или по друг подходящ начин.
- **Списък на заменяемите от потребителя части.** Потребителят може самостоятелно да сменя само патронника за свредло върху този продукт.

#### РАБОТА

**Ключ за смяна (пробиване/ударно пробиване/издялване)**

Настройвайте ключа за смяна (8), само когато ударната бормашина е спряла.

- Режим на работа при пробиване: настройте ключа за смяна (8) на позиция за пробиване за работа в дърво, метал, пластмасови материали или за завинтване.
- Режим на работа при ударно пробиване: задайте ключа за промяна (8) на позиция за ударна работа с бетон, камък или тухла.



### Пробиване в цимент и тухла

Използвайте бургията за твърд метал и висока скорост на въртене.

### Пробиване на стомана

Използвайте бургия HSS (HSS: стоманена сплав за бърза обработка) и ниска скорост на въртене при работа със стомана.

### Завинтване/развинтване на винтове

Използвайте ниска скорост на въртене.

### Пробиване на дупки

Когато искате да пробивате дълбоки дупки в твърди материали като стомана, ние ви препоръчване първо да пробие дупка с малка бургия.

### Включване/изключване

- Включете щепсела в контакт
- Поставете бормашината директно на мястото за пробиване.
- Натиснете и задръжте бутона за вкл./изкл (3), за да включите машината.
- За да изключите машината, отпуснете бутона за вкл./изкл (3).

### Дълготрайна работа

**Опасност от нараняване!** В случай, че машината падне от ръката ви по време на дълга работа, тя автоматично ще се изключи. В тази ситуация, незабавно издърпайте щепсела от контакта и изключете машината.

### За да осигурите безопасна дълга работа:

- Дръжте сигурно машината по всяко време.
- Винаги дръжте един пръст на бутона за вкл./изкл., за да можете бързо да я изключите

За дълга употреба можете да натиснете затягащото копче (5) веднъж. Бутонът за вкл./изкл. (3) трябва да бъде натиснат за тази цел. Машината ще остане включена, докато бутонът за вкл./изкл. не бъде натиснат бързо още веднъж.

### Настройка на скоростта на въртене

Натискайки бутона за вкл./изкл. (3), можете да зададете скоростта на въртене по време на работа на празен ход. Оптималната скорост на въртене зависи от пробивания материал, режим на работа и поставената бургия.

Леко натискане на бутона за вкл./изкл.: Ниска скорост на въртене (предназначено за: малки/къси винтове, меки материали за обработка)

Силно натискане на бутона за вкл./изкл.: По-висока скорост на въртене (предназначено за: големи/дълги винтове, твърди работни материали)

### Избор на оборотите

Чрез завъртане на електронния регулатор (4) по посока на часовниковата стрелка или обратно се избират необходимите обороти.

### Избор на посока на въртене

- Не настройвайте ключа за въртене наляво/надясно по време на пробиване.
- Посоката на въртене е винаги според позицията на ключа.
- Позиция на ключа R: дясно въртене/напред/по посока на часовниковата стрелка. За да пробивате и завинтвате винтове, натиснете ключа за въртене наляво/наляво (2) изцяло надясно.

- Позиция на ключа L: ляво въртене/назад/обратно на часовниковата стрелка. За разхлабване или изваждане на гайки, натиснете ключа за въртене надясно/наляво (3) наляво, докато не спре.

### Охлаждане на мотора

Ако моторът е прекалено прегрял, оставете го да работи на празен ход за 2 до 3 минути на максимална скорост на въртене.

## ГРИЖИ И ПОДДРЪЖКА

**ПРЕДУПРЕЖДЕНИЕ: Винаги изключвайте електроинструмента и изваждайте щепсела от контакта преди всякаква проверка или поддръжка.**

**ПОДМЯНА НА ЧЕТКИТЕ** Когато четките се износят, двете четки трябва да се подменят едновременно с оригинални четки в сервис на STATUS за гаранционна и извънгаранционна поддръжка.

**ОБЩА ПРОВЕРКА** Проверявайте редовно всички крепежни елементи и се уверете, че те са здраво притегнати. В случай, че някой от винтовете се е разхлабил, го затегнете незабавно, за да избегнете рискови ситуации.

Ако охранващият кабел е повреден, замяната трябва да се извърши от производителя или негов сервизен специалист, за да се избегнат опасностите от замяната.

**ПОЧИСТВАНЕ** За безопасна работа поддържайте винаги чисти машината и вентилационните отвори. Редовно проверявайте дали във вентилационната решетка близо до електродвигателя или около превключвателите не е проникнал прах или чужди тела. Използвайте мека четка за да отстраните събралия се прах. За да предпазите очите си, по време на почистването носете защитни очила. Ако корпусът на машината се нуждае от почистване, избършете го с мека влажна кърпа. Може да се използва слаб препарат за миене.

**ПРЕДУПРЕЖДЕНИЕ:** Не се допуска употребата на спирт, бензин или други разтворители. Никога не използвайте разяждащи препарати за почистване на пластмасовите части.

**ПРЕДУПРЕЖДЕНИЕ:** Не се допуска влизането на вода в контакт с машината.

**ВАЖНО!** За да се осигури безопасната работа с електроинструмента и неговата надеждност, всички дейности по ремонта, поддръжката и регулирането (включително проверката и подмяната на четките) трябва да се извършват в оторизираните сервизи на STATUS с използване само на оригинални резервни части.

### ЗАЩИТА НА ОКОЛНАТА СРЕДА

Опаковъчните материали са суровини, които могат да бъдат използвани повторно. Отделете различните опаковъчни материали и ги занесете до определеното съоръжение за изхвърляне на отпадъци. Можете да получите допълнителна информация от съответните органи. Старите машини не са част от битовия ви отпадък. Изхвърляйте старите машини по подходящ начин. Всички ние отговаряме за околната среда. Местните органи могат да ви посочат мястото на съответните пунктове за събиране и тяхното работно време.

## 7. ТЕХНИЧЕСКИ ДАННИ

## 8. ДЕКЛАРАЦИЯ ЗА СЪОТВЕТСТВИЕ

### ТЕХНИЧЕСКИ ДАННИ

Модел	DP851
Мощност	220-240В ~50 Hz
Капацитет	850 W
Скорост на въртене на празен ход по	2700 /min
Капацитет на безключов патронник	13 mm
Тегло	2,4 kg
Максимална дълбочина на пробиване:	
Дърво / Стомана / Бетон	25 mm / 13 mm / 13 mm

### Информация за шум и вибрации

Излъчване на шум (стойн остите са измерени съгласно EN 60745):

A-претеглено ниво на звуково налягане	$L_{pA} - 94 \text{ dB(A)}$ , $K_{pA} - 3.0 \text{ dB}$
A-претеглено ниво на звукова мощност	$L_{WA} - 105 \text{ dB(A)}$ , $K_{WA} - 3.0 \text{ dB}$

### Използвайте средства за защита от шума!

Излъчване на вибрации (определени съгласно т. 6.2.7 на EN 60745-1):

обща стойност на вибрациите (векторна сума по трите оси), определена съгласно EN 60745

Стойност на излъчените вибрации  $a_{h1D} - 9 \text{ m/s}^2$ .  $K - 1.5 \text{ m/s}^2$

### ДЕКЛАРАЦИЯ ЗА СЪОТВЕТСТВИЕ

STATUS ITALIA S.R.L. заявява, че долуизброените продукти с марка STATUS:

Продукт: Ударна бормашина Модел: DP851 са произведени в съответствие със следните директиви на ЕС: 2006/42/ЕС, 2011/65/EU, 2014/30/EU.

Също така съответстват на изброените стандарти:

EN 60745-1:2009 + A11:2010 EN 60745-2-1:2010

EN 55014-1:2006/+A1:2009+A2:2011, EN 55014-2:2015

EN 61000-3-2:2014, EN 61000-3-3:2013

Техническата документация се пази при производителя:

STATUS ITALIA S.R.L., via Aldo Moro, 14/A, 36060 - Pianezze (VI), ITALY

Карон Джиасинто  
Директор  
STATUS ITALIA S.R.L.

### Дистрибутор на територията на България:

Спринтер ООД.

Адрес по регистрация: България, гр. София 1000, бул. Христо Ботев 28, ет. 7.

Адрес за кореспонденция: България, гр. София 1303, бул. Тодор Александров №28, магазин №4.

Уебсайт: [www.status-tools.com](http://www.status-tools.com), E-mail: [office@status-tools.eu](mailto:office@status-tools.eu).

Тел. 02 870 51 98

## 1. ПРЕДНАЗНАЧЕНИЕ ИЗДЕЛИЯ

## 2. ОСНОВНЫЕ ТРЕБОВАНИЯ БЕЗОПАСНОСТИ

### ПРЕДНАЗНАЧЕНИЕ ИЗДЕЛИЯ

Данное изделие предназначено для сверления дерева, керамики, пластика, бетона и металла. Также может использоваться в качестве шуруповёрта.

Любое другое использование изделия не допускается.

Использование запчастей и оснастки, которые не одобрены изготовителем изделия также не допускается.

Неправильная эксплуатация может причинить вред владельцу и окружающим.

Изготовитель снимает с себя ответственность за надежность изделия и безопасность работы с ним, в случае использования его не по прямому назначению.

### ОСНОВНЫЕ ТРЕБОВАНИЯ БЕЗОПАСНОСТИ

**ПРЕДОСТЕРЕЖЕНИЕ!** Прочитайте все предупреждения и указания по безопасности. Несоблюдение предупреждений и указаний по безопасности может привести к поражению электрическим током, от пожара и/или серьезные ранения.

**Сохраните все предупреждения и указания для дальнейшего использования.**

Термин "электроинструмент" во всех указанных ниже предупреждениях касается вашего электроинструмента, с питанием от сети (с кабелем) и/или электроинструмент с питанием от аккумуляторной батареи (без кабеля).

#### 1) Безопасность рабочего места

- **Содержите рабочее место в чистоте и хорошо освещенным.** Беспорядок и недостаточное освещение являются предпосылками трудовых инцидентов.
- **Не работайте с электроинструментами во взрывоопасной атмосфере при наличии воспламеняющихся жидкостей, газов или пыли.** Электроинструменты создают искры, которые могут воспламенить пыль или пары.
- **Держите детей и посторонних лиц на расстоянии, когда работаете с электроинструментом.** Рассеянность может привести к потере контроля с Вашей стороны.

#### 2) Электрическая безопасность

- **Штепселя электроинструментов должны соответствовать контактному гнезду.** Никогда не меняйте штепсель каким-либо способом. Не используйте какие-либо адаптерные штепселя для электроинструментов с защитным заземлением. Использование оригинальных штепселей и соответствующим им контактов уменьшает риск от удара электрическим током.
- **Избегайте соприкосновения тела с землей или с заземленными поверхностями, такими как трубы, радиаторы, кухонные плиты и холодильники.** Если ваше тело заземлено, существует повышенный риск поражения электрическим током.
- **Не оставляйте электроинструменты под дождем или во влажной среде.** Проникновение воды в электроинструменты повышает риск от поражения электрическим током.
- **Используйте кабель по назначению.** Никогда не используйте кабель для переноса электроинструмента, натягивания или отключения штепселя из контактного гнезда. Держите кабель далеко от тепла, масла, острых углов или движущихся частей. Поврежденные или запутанные кабели повышают риск от поражений электрическим током.

## 2. ОСНОВНЫЕ ТРЕБОВАНИЯ БЕЗОПАСНОСТИ

- **Во время наружной работы с электроинструментом используйте удлинитель, подходящий для этих целей.** Использование удлинителя, предназначенного для внешних /наружных/ работ, уменьшает опасность от поражения электрическим током.
- **В случае, если работа с электроинструментом во влажной среде неизбежна, используйте предохранительное устройство, которое задействовано от остаточного тока для прерывания подачи тока.** Использование предохранительного устройства уменьшает риск от поражения электрическим током.

### 3) Личная безопасность

- **Будьте бдительны, работайте с повышенным вниманием и проявляйте благоразумие, когда работаете с электроинструментом.** Не используйте электроинструмент, когда вы устали или находитесь под влиянием наркотиков, алкоголя или медикаментов. Момент невнимания при работе с электроинструментом может привести к серьезной производственной травме.
- **Используйте индивидуальные средства защиты.** Носите всегда защитные очки. Индивидуальные средства защиты, такие как маска против пыли, нескользкая обувь, защитный шлем или средства для защиты слуха, используемые в конкретных условиях, снижают риск от производственных травм.
- **Избегайте невольного пуска инструмента.** Убедитесь, что выключатель находится в положение „выключено“ перед включением к источнику питания и/или аккумуляторной батарее перед тем, как его возьмете в руки или переносите. Ношение электроинструмента с пальцем на выключателе или подключение к источнику питания электроинструмента с выключателем во включенном положении является предпосылкой для производственной травмы.
- **Удалите ключ для фиксации оснастки или гаечный ключ перед включением электроинструмента.** Ключи, оставленные в подвижной части электроинструмента, могут привести к его поломке или травме оператора.
- **Не перенапрягайтесь.** Поддерживайте правильное положение тела и равновесие во время работы.
- **Носите подходящую рабочую одежду.** Не носите широкую одежду или украшения. Широкая одежда, бижутерия или длинные волосы могут попасть в движущиеся части.
- **Если электроинструмент снабжен приспособлением для удаления пыли, убедитесь, что оно правильно установлено и правильно используется.** Использование таких устройств может понизить связанные с пылью опасности.

### 4) Эксплуатация и уход за электроинструментами

- **Не перегружайте электроинструмент.** Используйте правильно выбранный электроинструмент согласно его назначению. Правильно подобранный электроинструмент работает производительно и безопасно в том режиме работы, для которого он спроектирован.
- **Не используйте электроинструмент в случае, если выключатель не переключается** во включенное и исключенное положение. Каждый электроинструмент, который не может управляться с помощью его выключателя, опасен и подлежит ремонту.

## 2. ОСНОВНЫЕ ТРЕБОВАНИЯ БЕЗОПАСНОСТИ

- **Отключите штепсель от электросети перед тем, как начать любые настройки, перед заменой принадлежностей или перед тем, как убрать электроинструмент для хранения.** Эти меры предосторожности снижают риск случайного пуска электроинструмента.
- **Сохраняйте электроинструмент в местах, недоступных для детей и не позволяйте лицам, которые не знакомы с электроинструментом или инструкциями по эксплуатации, работать с ним.** Электроинструменты являются опасными в руках необученных потребителей.
- **Проверяйте электроинструменты.** Проверяйте, работают ли нормально и движутся ли свободно движущиеся части, находятся ли в целостности и исправности части, а также проверяйте все прочие обстоятельства, которые могут неблагоприятно повлиять на работу электроинструмента. Если электроинструмент поврежден, необходимо отремонтировать его перед его дальнейшим использованием.
- **Поддерживайте режущие инструменты острыми и чистыми.** Правильно заточенные режущие инструменты блокируются и проще управляются.
- **Используйте электроинструмент, принадлежности и части инструмента и т.д. в соответствии с этими инструкциями и способом, предусмотренным для конкретного типа электроинструмента, имея ввиду рабочие условия и работу, которую необходимо выполнять.** Использование электроинструмента для работы не по назначению может привести к опасной ситуации.

### 5) Обслуживание

- **Ремонтируйте и обслуживайте ваш электроинструмент только в сертифицированном сервисном центре STATUS, при этом используйте только оригинальные запасные части.** Это обеспечит надёжную работу и безопасность эксплуатации электроинструмента.

### ДОПОЛНИТЕЛЬНЫЕ ПРАВИЛА БЕЗОПАСНОСТИ

**Пользуйтесь средствами защиты слуха при работе с дрелями ударного действия.** Воздействие шума может привести к потере слуха.

- **Всегда пользуйтесь дополнительной рукоятку, поставленную вместе с инструментом.** Потеря контроля может привести к производственным травмам.
- **Во время работы используйте средства защиты зрения, чтобы предотвратить попадание пыли и осколков материала.** Пользуйтесь защитными очками.
- **Используйте защиту органов дыхания.** Некоторые материалы могут содержать токсические элементы. Пользуйтесь пылезащитной маской и устройством пылеотвода.
- **В случае потенциальной возможности касания режущей принадлежности до скрытой электропроводки или до собственного питающего шнура, держите электроинструмент только за изолированные поверхности рукояток.** Контакт принадлежности с токоведущим проводом ставит под напряжение также открытые металлические части электроинструмента и может привести к поражению оператора электрическим током.
- **Не обрабатывайте материалы содержащих асбеста.** Асбест считается канцерогенным веществом.

**ПРЕДОСТЕРЕЖЕНИЕ:** Прежде чем подключить инструмент к сети питания,

## 2. ОСНОВНЫЕ ТРЕБОВАНИЯ БЕЗОПАСНОСТИ

убедитесь, что питающее напряжение отвечает на указанном на табличке техническими данными электроинструмента.

- Если источник питания напряжением выше указанного для электроинструмента, то он может вызвать серьезное поражение электрическим током оператора и повреждение электроинструмента.
- Если источник питания напряжением ниже указанного на табличке электроинструмента, то он может привести к повреждению электродвигателя.
- Когда необходимо использовать удлинитель, то убедитесь, что его сечение отвечает номинальному току использованного электроинструмента, а также в исправности удлинителя.

**ПРЕДОСТЕРЕЖЕНИЕ:** Всегда выключайте электроинструмент и штепсель из розетки питания, прежде чем сделать любую настройку, обслуживание или сервис.

- При работе всегда удерживайте инструмент обеими руками и стремитесь к устойчивому положению тела. Электроинструмент управляется безопасно, когда оператор держит его обеими руками.
- Прежде чем начать работу проверяйте с помощью подходящего металлоискателя наличие скрытой электропроводки, газо- и водопроводных труб. Соприкосновение сверла со скрытой проводкой или трубами может вызвать пожар или поражения электрическим током. Повреждение газопровода может вызвать взрыв, а повреждение водопровода может привести к поражению током.
- Удерживайте кабель питания вне зоны работы электроинструмента.
- В случае обнаружения повреждения кабеля не используйте электроинструмент. Если это случится во время работы, то сразу выньте штепсель из розетки питания. Поврежденные кабели повышают риск в получение токового удара.
- Всегда стремитесь к устойчивому положению корпуса. Во время работы с инструментом на высоте, убедитесь что внизу нет никого.
- Закрепляйте обрабатываемую деталь в тисках или иным подходящим способом.
- Следите за инерционным моментом во время пуска инструмента или в случае заедания сверла.
- Не трогайте сверла или обрабатываемую деталь сразу после работы. Они могут быть горячими и могут вызвать ожог кожи.
- Соблюдайте гигиену на рабочем месте. Смешение пыли разных материалов особенно опасно. Пыль из легких металлов может разгореться и взрывиться.
- Никогда не бросайте тряпки, паклю, провода или проволоку поблизости рабочего места.
- Всегда выключайте инструмент, прежде чем оставить его в сторону.
- Пользуйтесь электроинструментом только по назначению. Всякое другое использование, отличное от указанного этой инструкцией будет считаться неправильным. Ответственность за любое повреждение или ранение, происходящего от неправильного употребления, будет нести потребитель, а не производитель.
- Чтобы использовать правильно этот инструмент, нужно соблюдать правила безопасности и указания по работе, указанных в данной инструкции. Все

## 3. ОПИСАНИЕ

## 4. ПОДГОТОВКА К ИСПОЛЬЗОВАНИЮ

потребители должны ознакомиться с этой инструкцией по эксплуатации и проинформироваться о потенциальных рисках при работе с электроинструментом. Дети и физически слабые люди не должны использовать инструмент.

- Производитель не несет ответственность за изменения, сделанные потребителем в электроинструменте или за повреждения, вызванные подобными изменениями.
- Электроинструментом не следует пользоваться вне помещения в дождливую погоду, во влажной среде (после дождя) или вблизи легко воспламеняемых жидкостей и газов. Рабочее место должно быть хорошо освещено.

### ОПИСАНИЕ

1. Патрон
2. Переключатель направления вращения
3. Клавиша выключателя
4. Регулятор скорости вращения
5. Кнопка фиксатора клавиши выключателя
6. Рукоятка передняя
7. Линейка ограничителя глубины сверления
8. Переключатель режима сверления

### ПОДГОТОВКА К ИСПОЛЬЗОВАНИЮ

Удалите упаковку и удостоверьтесь, что комплектация изделия полная.

#### Установка передней рукоятки

Никогда не используйте дрель без передней рукоятки (6). Она является дополнительным упором, позволяющим меньше уставать при работе. Рукоятка предназначена как для правой, так и для левой руки.

- Ослабьте кольцо крепления вращением рукоятки против часовой стрелки.
- Наденьте кольцо на шейку корпуса редуктора.
- Установите рукоятку в удобное положение.
- Закрутите рукоятку по часовой стрелке до плотной фиксации кольца.

#### Ограничитель глубины сверления

Используя линейку (7) Вы можете сверлить несколько отверстий одинаковой глубины.

- Вращая рукоятку против часовой стрелки ослабьте винт фиксатора линейки.
- Перемещая линейку в кольцо рукоятки, установите ее в нужное Вам положение.
- Зафиксируйте линейку (7) вращая рукоятку по часовой стрелке.

#### Установка сверла

- Вращая подвижную часть патрона при помощи ключа против часовой стрелки, раздвиньте губки патрона на необходимую величину.
- Установите сверло в патрон. Сверло должно быть закреплено в патроне на максимальной глубине.
- Используя ключ, затяните патрон.
- Включите дрель на холостом ходу и убедитесь, что сверло прочно зафиксировано в патроне и не имеет биения.

### Использование бит

При использовании бит желателен универсальный держатель. Всегда при закручивании и откручивании винтов используйте только те биты, рабочая часть которых соответствует углублению на головке винта. Производите закручивание и откручивание винтов при низких скоростях вращения.

### ЭКСПЛУАТАЦИЯ

#### Переключатель режима сверления (сверление/сверление с ударом)

Не пользуйтесь данным переключателем (8) до полной остановки вращения.

- Режим сверления. Используйте данный режим при работе с деревом, металлом, пластмассой и при закручивании/выкручивании винтов.
- Режим сверления с ударом. Используйте данный режим при сверлении бетона, камня и кирпича.

**Сверление бетона и кирпича.** При работе используйте сверла с твердосплавными вставками и установите максимальную скорость вращения.

**Сверление стали.** Используйте сверла, предназначенные для сверления металла и низкую скорость вращения.

**Завинчивание/отвинчивание винтов.** Используйте низкую скорость вращения.

**Сверление отверстий.** При сверлении отверстий большого диаметра, предварительно засверлите его сверлом меньшего диаметра и только потом используйте сверло большого диаметра.

#### Включение/выключение инструмента

- Подключите изделие к сети.
- Приставьте дрель непосредственно к месту сверления.
- Нажмите и держите клавишу выключателя (3) для включения.
- Для выключения, отпустите клавишу выключателя (3).

Для длительной работы Вы можете нажать кнопку фиксатора выключателя (5).

При этом клавиша выключателя (3) должна быть в нажатом положении.

Инструмент будет включен до тех пор, пока Вы не нажмете на клавишу выключателя (3) повторно.

**ВНИМАНИЕ !** В случае потери контроля над инструментом в процессе длительной работы, он не выключится автоматически. В этом случае необходимо немедленно вытащить штепсель из сетевой розетки и выключить инструмент.

- **Всегда крепко держите инструмент в руках.**
- **Всегда удерживайте один палец на выключателе, чтобы иметь возможность быстро выключить инструмент.**

#### Установка скорости вращения

Установите необходимую вам скорость вращения на холостом ходу. Оптимальная скорость вращения зависит от обрабатываемого материала, способа сверления и используемого сверла.

- Лёгкое нажатие на клавишу выключателя - низкая скорость вращения
- Сильное нажатие на клавишу выключателя - высокая скорость вращения

### Предварительный выбор скорости вращения

Вращением электронного регулятора (4) по часовой стрелке или против нее можно предварительно выбрать требуемое значение оборотов в диапазоне от 50 до 2800 об/мин.

### Выбор направления вращения

**Внимание !** Запрещается переключать направление вращения во время сверления. Перед переключением направления вращения отпустите клавишу выключателя и дождитесь остановки вращения шпинделя.

- Направление вращения выбирается при помощи переключателя (2).
- Позиция переключателя "R": вращение вправо/вперёд/по часовой стрелке. Для сверления и закручивания винтов переведите переключатель (2) в крайнее правое положение.
- Позиция переключателя "L": вращение влево/назад/против часовой стрелки. Для ослабления или выкручивания винтов переведите переключатель (2) в крайнее левое положение.

### Охлаждение двигателя

Если двигатель сильно перегревается, дайте ему 2-3 минуты проработать на холостом ходу при полных оборотах.

### УХОД И ОБСЛУЖИВАНИЕ

**ВНИМАНИЕ !** Перед любыми работами по чистке или обслуживанию:

**Выключите изделие, дождитесь его полной остановки и отключите его от сети**

**ЗАМЕНА ЩЕТОК** Когда щетки изнашиваются, обе щетки должны быть заменены одновременно оригинальными щетками в сервисе STATUS по гарантийному и внегарантийному обслуживанию.

**ВНИМАНИЕ!** Самостоятельно потребитель в данном изделии может заменить только сверлильный патрон.

**ОБЩАЯ ПРОВЕРКА** Проверяйте регулярно все элементы крепления и убедитесь

в том, что они крепко затянуты. В том случае, если какой-либо винт ослаблен, незамедлительно затяните его во избежание ситуаций, связанных с риском. Если кабель питания поврежден, замена должна быть осуществлена производителем или его сервисным специалистом во избежание опасностей, связанных с заменой.

**ЧИСТКА** Для безопасной работы всегда содержите машину и вентиляционные отверстия в чистоте. Регулярно проверяйте, не проникли ли в вентиляционные отверстия электродвигателя или около переключателей пыль или инородные тела. Используйте мягкую щетку и/или струю сжатого воздуха, чтобы устранить накопившуюся пыль. Для защиты глаз во время чистки носите защитные очки.

Если корпус машины нужно почистить, протрите его мягкой влажной тряпкой.

Можно использовать слабый препарат для мытья.

**ПРЕДОСТЕРЕЖЕНИЕ:** Не допускается использование спирта, бензина или других растворителей. Никогда не используйте разъедающие препараты для чистки пластмассовых частей.

**ПРЕДОСТЕРЕЖЕНИЕ:** Не допускается контакт воды с машиной.

**ВАЖНО!** Чтобы обеспечить безопасную работу электроинструментом и его надежность, все действия по ремонту, обслуживанию и регулированию (включая проверку и замену щеток) следует осуществлять в специализированных сервисах STATUS с использованием только оригинальных запасных частей.

### ТЕХНИЧЕСКИЕ ДАННЫЕ

Модель	DP851
Напряжение источника питания	220-240В ~50 Гц
Мощность	850 Вт
Скорость вращения	2700 об/мин
Патрон	13 мм
Максимальный диаметр сверления	
Дерево / Сталь / Бетон	25 мм / 13 мм / 13 мм
Вес	2,4 кг
Срок службы изделия	5 лет

### Информация о шуме и вибрациях (EN 60745):

А-взвешенный уровень звукового давления	$L_{pA} - 94 \text{ дБ(А)}$ , $K_{pA} - 3.0 \text{ дБ}$
А-взвешенный уровень звуковой мощности	$L_{wA} - 105 \text{ дБ(А)}$ , $K_{wA} - 3.0 \text{ дБ}$

### Используйте средства защиты от шума!

### Излучение вибраций ( в соответствии с т. 6.2.7 EN 60745-1):

Величина вибрации	$a_{hпД} - 9 \text{ м/с}^2$ . Неопределенность К - 1.5 м/с <sup>2</sup>
-------------------	---

### КОМПЛЕКТАЦИЯ

Дрель DP851, дополнительная передняя рукоятка, линейка глубины сверления, ключ, инструкция, упаковка  
 Производитель оставляет за собой право изменять технические параметры изделия и его комплектацию без предварительного уведомления.


### ДЕКЛАРАЦИИ СООТВЕТСТВИЯ

STATUS ITALIA S.R.L. заявляет, что изделие торговой марки STATUS: DP851 изготовлено в соответствии со следующими директивами ЕС:  
 Directive 2006/42/EC, Directive 2011/65/EU, EMC Directive 2014/30/EU.

А так же соответствуют нижеперечисленным стандартам:

EN 60745-1:2009 + A11:2010 EN 60745-2-1:2010,  
 EN 55014-1:2006/+A1:2009+A2:2011, EN 55014-2:2015  
 EN 61000-3-2:2014, EN 61000-3-3:2013

Техническая документация хранится у производителя: STATUS ITALIA S.R.L.,  
 via Aldo Moro, 14/A, 36060 - Pianezze (VI), ITALY

 Карон Джиасинто  
 Директор  
 STATUS ITALIA S.R.L.

Изделия соответствуют требованиям следующих технических регламентов Таможенного союза: ТР ТС 004/2011, ТР ТС 010/2011, ТР ТС 020/2011, ТР ЕАЭС 037/2016.

Сведения о сертификате находятся на сайте [www.status-tools.com](http://www.status-tools.com)

Изготовитель: STATUS ИТАЛИЯ С.р.л., Виа Альдо Моро, 14/А, 36060 - Пьянецце, Италия,

сделано в кнр. Представительство в Российской Федерации:

ООО «СТАТУС ТУЛС» 143085, Московская область, Одинцовский район, р/п Заречье, территория 12 месяцев ЖК, стр. 13.