



STATUS®



EN

POLISHER

Original instructions

IT

LUCIDATRICE

Istruzioni originali

DE

POLIERER

Originalbetriebsanleitung

BG

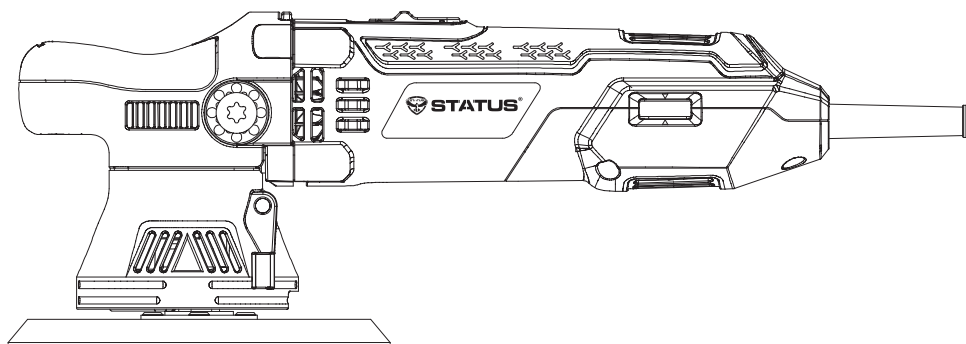
ПОЛИРОВЪЧНА МАШИНА

Оригинална инструкция за използване

RU

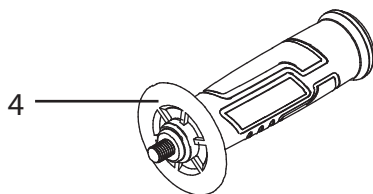
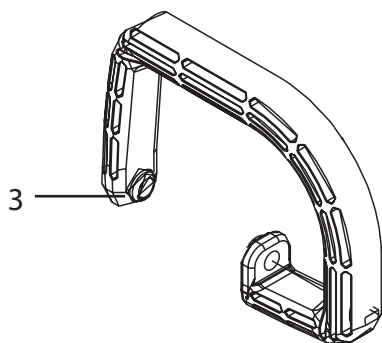
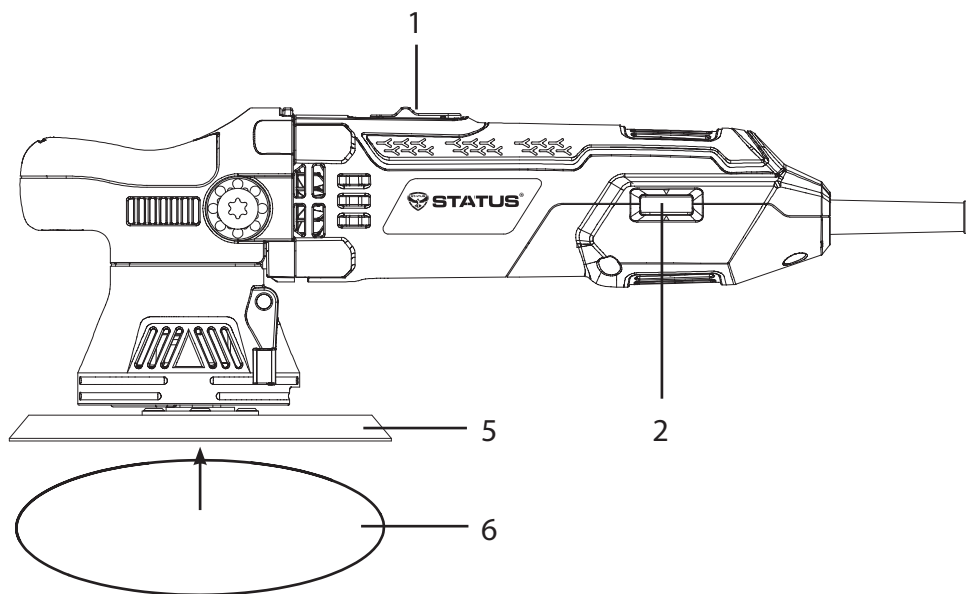
ПОЛИРОВАЛЬНАЯ МАШИНА

Оригинальная инструкция по эксплуатации



XPA9-125E





INTENDED USE

GENERAL SAFETY RULES

INTENDED USE

This polisher is designed for all types of polishing work with polishing sponges, lambskins and woolskins, felt plate, buffing disc.

GENERAL SAFETY RULES

WORK AREA

- **Keep work area clean and well lit.** *Cluttered and dark areas invite accidents.*
- **Do not operate power tools in explosive atmospheres, such as in the presence of flammable liquids, gases or dust.** *Power tools create sparks which may ignite the dust or fumes.*
- **Keep children and bystanders away while operating a power tool.** *Distractions can cause you to lose control.*

ELECTRICAL SAFETY

- **Power tool plugs must match the outlet. Never modify the plug in any way. Do not use any adapter plugs with earthed (grounded) power tools.** *Unmodified plugs and matching outlets will reduce risk of electric shock.*
- **Avoid body contact with earthed or grounded surfaces such as pipes, radiators, ranges and refrigerators.** *There is an increased risk of electric shock if your body is earthed or grounded.*
- **Do not expose power tools to rain or wet conditions.** *Water entering a power tool will increase the risk of electric shock.*
- **Do not abuse the cord. Never use the cord for carrying, pulling or unplugging the power tool. Keep cord away from heat, oil, sharp edges or moving parts.** *Damaged or entangled cords increase the risk of electric shock.*
- **When operating a power tool outdoors, use an extension cord suitable for outdoor use.** *Use of a cord suitable for outdoor use reduces the risk of electric shock.*
- **Connect the electric power tool to electricity, using a 16 A maximum secure contact protected outlet (220-240V~, 50 Hz).** *We recommend you to attach a residual current circuit-breaker (RCD) that does not exceed 30mA.*

PERSONAL SAFETY

- **Stay alert, watch what you are doing and use common sense when operating a power tool. Do not use a power tool while you are tired or under the influence of drugs, alcohol or medication.** *A moment of inattention while operating power tools may result in serious personal injury.*
- **Use safety equipment. Always wear eye protection.** *Safety equipment such as dust mask, non-skid safety shoes, hard hat, or hearing protection used for appropriate conditions will reduce personal injuries.*

GENERAL SAFETY RULES

- **Avoid accidental starting.** Ensure the switch is in the off position before plugging in. *Carrying power tools with your finger on the switch or plugging in power tools that have the switch on invites accidents.*
- **Remove any adjusting key or wrench before turning the power tool on.** *A wrench or a key left attached to a rotating part of the power tool may result in personal injury.*
- **Do not overreach. Keep proper footing and balance at all times.** *This enables better control of the power tool in unexpected situations.*
- **Dress properly. Do not wear loose clothing or jewellery. Keep your hair, clothing and gloves away from moving parts.** *Loose clothes, jewellery or long hair can be caught in moving parts.*
- **If devices are provided for the connection of dust extraction and collection facilities, ensure these are connected and properly used.** *Use of these devices can reduce dust related hazards.*

POWER TOOL USE AND CARE

- **Do not force the power tool. Use the correct power tool for your application.** *The correct power tool will do the job better and safer at the rate for which it was designed.*
- **Do not use the power tool if the switch does not turn it on and off.** *Any power tool that cannot be controlled with the switch is dangerous and must be repaired.*
- **Disconnect the plug from the power source before making any adjustments, changing accessories, or storing power tools.** *Such preventive safety measures reduce the risk of starting the power tool accidentally.*
- **Store idle power tools out of the reach of children and do not allow persons unfamiliar with the power tool or these instructions to operate the power tool.** *Power tools are dangerous in the hands of untrained users.*
- **Maintain power tools. Check for misalignment or binding of moving parts, breakage of parts and any other condition that may affect the power tools operation. If damaged, have the power tool repaired before use.** *Many accidents are caused by poorly maintained power tools.*
- **Keep cutting tools sharp and clean.** *Properly maintained cutting tools with sharp cutting edges are less likely to bind and are easier to control.*
- **Use the power tool, accessories and tool bits etc. in accordance with these instructions, taking into account the working conditions and the work to be performed.** *Use of the power tool for operations different from those intended could result in a hazardous situation.*

SERVICE

- **Have your power tool serviced by a qualified repair person using only identical replacement parts.** *This will ensure that the safety of the power tool is maintained.*

POLISHER SAFETY WARNINGS

- This power tool is intended to function as a polisher or machine for cleaning surfaces with a wire brush. Read all safety warnings, instructions, illustrations and specifications provided with this power tool. Failure to follow all instructions listed below may result in electric shock, fire and/or serious injury.
- Operations such as grinding or cutting-off are not recommended to be performed with this power tool. This power tool is not recommended for polishing. Operations for which the power tool was not designed may create a hazard and cause personal injury.
- Do not use accessories which are not specifically designed and recommended by the tool manufacturer. Just because the accessory can be attached to your power tool, it does not assure safe operation.
- Never mount circular blades or grinding wheels for angle grinders.
- Use only accessories appropriate for the processed material and the rotation speed.
- The rated speed of the accessory must be at least equal to the maximum speed marked on the power tool. Accessories running faster than their rated speed can break and fly apart.
- The outside diameter and the thickness of your accessory must be within the capacity rating of your power tool. Incorrectly sized accessories cannot be adequately guarded or controlled.
- The arbour size of flanges, backing pads or any other accessory must properly fit the spindle of the power tool. Accessories with arbour holes that do not match the mounting hardware of the power tool will run out of balance, vibrate excessively and may cause loss of control.
- Do not use a damaged accessory. Before each use inspect the accessory such as backing pad for cracks, tear or excess wear, wire brush for loose or cracked wires. If power tool or accessory is dropped, inspect for damage or install an undamaged accessory. After inspecting and installing an accessory, position yourself and bystanders away from the plane of the rotating accessory and run the power tool at maximum no load speed for one minute. Damaged accessories will normally break apart during this test time.
- Wear personal protective equipment. Depending on application, use face shield, safety goggles or safety glasses. As appropriate, wear dust mask, hearing protectors, gloves and workshop apron capable of stopping small abrasive or workpiece fragments. The eye protection must be capable of stopping flying debris generated by various operations. The dust mask or respirator must be capable of filtering particles generated by your operation. Prolonged exposure to high intensity noise may cause hearing loss.
- Keep bystanders a safe distance away from work area. Anyone entering the work area must wear personal protective equipment. Fragments of workpiece or of a broken accessory may fly away and cause injury beyond immediate area of operation.

POLISHER SAFETY WARNINGS

TOOL PARTS OVERVIEW

- Use clamps or a vice to secure your work whenever possible.
- Do not apply side pressure to stop the pad rotation after switching the machine off.
- Guide the machine towards the processed material only if the machine is switched on.
 - Position the cord clear of the spinning accessory. If you lose control, the cord may be cut or snagged and your hand or arm may be pulled into the spinning accessory.
 - Never lay the power tool down until the accessory has come to a complete stop. The spinning accessory may grab the surface and pull the power tool out of your control.
 - Do not run the power tool while carrying it at your side. Accidental contact with the spinning accessory could snag your clothing, pulling the accessory into your body.
 - Regularly clean the power tool's air vents. The motor's fan will draw the dust inside the housing and excessive accumulation of powdered metal may cause electrical hazards.
 - Do not operate the power tool near flammable materials. Sparks could ignite these materials.
 - Do not use accessories that require liquid coolants. Using water or other liquid coolants may result in electrocution or shock.
- This power tool is designed for dry sanding only.
- The tool must be used only for its prescribed purpose. Any use other than those mentioned in this Instruction will be considered a case of misuse. The user and not the manufacturer shall be liable for any damage or injury resulting from such cases of misuse.
- The manufacturer shall not be liable for any changes made to the tool nor for any damage resulting from such changes.
- When operating in dusty environment, the ventilation slots must be kept clean. If it should become necessary to clear dust, first disconnect the tool from the mains supply (use non metallic objects to clean the dust) and avoid damaging internal parts. The power tool will overheat under deteriorated cooling due to the clogged with dust ventilation slots.

TOOL PARTS OVERVIEW

1. On/off switch
2. Electronic speed preselection wheel
3. D-shape auxiliary handle
4. Auxiliary handle
5. Hook-and-loop flexible backing pad
6. Hook-and-loop operating tool (soft intermediate disc, abrasive sheet, sponge, felt wheel, lambswool polishing bonnet)

OPERATION

SWITCHING ON - SWITCHING OFF

- Switching on: Push the back end of the ON/OFF switch 1 down and then forward in the direction of the arrow until its front end will sag, thus fixing itself.
- Switching off: Press the back, lifted end of switch 1 and release it to return in its initial position.

Preselecting the speed

- To set the operating speed, move the dial 2 to the required value.

MOUNTING THE AUXILIARY HANDLE

- The auxiliary handle 3 is fastened to the gear box by two bolts under the bolt heads. Screwing and unscrewing the bolts is performed by an open end spanner.
- The auxiliary handle 4 can be mounted alternatively to the right or left side of the gear box. It is screwed directly to the machine gear box.

BACKING PAD

- The backing pad 5 can be screwed directly onto the spindle. The hook-and-loop operating tools 6 (sandpaper, polishing sponge, felt wheel, lambswool bonnet, etc.) can be fixed directly onto the backing pad.
- To dismount (unscrew) the backing pad use a spanner when necessary.

FIXING THE OPERATING TOOL TO THE HOOK-AND-LOOP (VELCRO) BACKING PAD

- The operating tool fastened to the backing pad shall be $\varnothing_{\min}148$. The operating tool shall be aligned with the backing pad and care shall be taken to ensure their coaxiality. Eccentrically mounted operating tools cause wobbling and vibrations.
- **WARNING:** Use only pads with un-damaged hook-and-loop system. Perform a trial test for at least 30 sec at no load after replacing the backing pad.
- **WARNING:** Vibrating or otherwise improperly rotating backing pads must be re-placed immediately!

MAINTENANCE

GENERAL INSPECTION

Regularly inspect all fasteners and ensure they are properly tightened. Should any of the screws be loose, retighten it immediately to avoid hazards.

If the replacement of the supply cord is necessary, this has to be done by the manufacturer or his agent in order to avoid a safety hazard.

MAINTENANCE TECHNICAL SPECIFICATIONS

CLEANING

For safe operation always keep the machine and its ventilation slots clean. Regularly check to see if any dust or foreign matter has entered the ventilation slots and the grills around the switches. Use a soft brush and/or air jet to remove any accumulated dust. Wear safety glasses to protect your eyes whilst cleaning. Exterior plastic parts may be cleaned with a damp cloth and mild detergent if necessary.

WARNING!

Never use alcohol, petrol or other cleaning agent. Never use caustic agents to clean plastic parts. Water must never come into contact with the tool.

REPLACEMENT PARTS

To assure product safety and reliability, repairs, maintenance and adjustment (including brush inspection and replacement) should be performed by authorised service centres always using genuine replacement parts.

TECHNICAL SPECIFICATIONS

Model	XPA9-125E
Voltage	220-240 V~
Input power	700 W
No load speed	2000-6400/min.
Backing pad Ø	75 and 125 mm
Weight	2,5 kg
A-weighted sound pressure level LpA	89 dB(A), uncertainty 3 dB(A)
A-weighted sound power level LwA	100 dB(A), uncertainty 3 dB(A)
Vibration emission value ahb/ahm	3.09 m/s ² , uncertainty 1,5 m/s ²
Protection class	II

Includes:

Backing pad 75 mm, Backing pad 125 mm, auxilliary handle (2), sponge.

The manufacturer reserves the right to make changes and improvements to the products and to alter specifications without prior notice.

CE DECLARATION OF CONFORMITY

CE DECLARATION OF CONFORMITY

We STATUS ITALIA S.R.L. as the responsible manufacturer declare that the following STATUS machine(s): Polisher Model No./ Type: XPA9-125E.

are of series production and conforms to the following European Directives: **2006/42/EC, 2014/30/EU.**

And are manufactured in accordance with the following standards or standardised documents: **EN 60745-1:2009+A11:2010, EN 60745-2-3:2011+A2:2013+A11:2014+A12:2014+A13:2015, EN 55014-1:2017, EN 55014-2:2015, EN IEC 61000-3-2:2019, EN 61000-3-3:2013+A1:2019, AfPS GS 2019:01 PAK.**

The technical documentation kept by the manufacturer: STATUS ITALIA S.R.L.,
via Aldo Moro, 14/A, 36060 - Pianezze (VI), ITALY



Caron Giacinto
Director
STATUS Italia S.r.l.

DESTINAZIONE D'USO

AVVERTENZE GENERALI DI PERICOLO PER ELETTROUTENSILI

DESTINAZIONE D'USO

Questa lucidatrice è destinata – per l'impiego professionale nell'industria e nell'artigianato, – a lavori di lucidatura di qualsiasi tipo con tamponi di spugna, platorelli d'agnello e di feltro, disco di panno per lucidare.

AVVERTENZE GENERALI DI PERICOLO PER ELETTROUTENSILI

AREA DI LAVORO

- **Mantenere l'area di lavoro pulita e ben illuminata.** *Le zone buie ed ingombre di oggetti favoriscono incidenti.*
- **Non utilizzare l'utensile in presenza di liquidi infiammabili, gas o polvere.** *Le scintille generate potrebbero infiammare polvere e/o vapore.*
- **Tenere a distanza bambini e terzi durante il funzionamento.** *Per una distrazione potreste perdere il controllo dell'utensile.*

SICUREZZA ELETTRICA

- **La spina dell'utensile deve essere adatta alla presa utilizzata. Non modificare la spina in alcun modo. Non utilizzare adattatori con gli utensili collegati a terra.** *L'impiego di una spina integra ed una presa adatta riduce i rischi di folgorazione.*
- **Evitare di toccare con il corpo le superfici collegate a terra quali tubi, radiatori, forni e frigoriferi.** *Il rischio di folgorazione aumenta se il corpo è collegato a terra.*
- **Non esporre l'utensile alla pioggia e all'umidità.** *La penetrazione d'acqua nell'utensile aumenta il rischio di folgorazione.*
- **Non utilizzare il cavo per scopi diversi da quello previsto. Non utilizzare il cavo per trasportare o tirare l'utensile, oppure per staccare la spina dalla presa. Tenere il cavo lontano da fonti di calore, olio, parti appuntite o in movimento.** *Cavi danneggiati o attorcigliati aumentano il rischio di folgorazione.*
- **Se l'utensile viene utilizzato all'aperto, usare una prolunga adatta all'uso esterno.** *L'impiego di una prolunga da esterno riduce il rischio di folgorazione.*
- **Se il lavoro in un ambiente umido è strettamente necessario, utilizzare una presa protetta da dispositivo a corrente residua.** *Ciò riduce i rischi di scosse.*

SICUREZZA PERSONALE

- **L'uso di elettROUTENSILI richiede attenzione e buon senso. Non utilizzare gli utensili se si è stanchi o sotto l'effetto di droghe, alcol o medicinali.** *Una breve disattenzione può provocare gravi danni alle persone.*
- **Munirsi di indumenti e dispositivi di protezione. Indossare sempre occhiali da lavoro.** *L'uso di dispositivi di protezione tra cui mascherina antipolvere, scarpe antiscivolo, casco e protezioni per l'udito riduce il rischio di danni a persone.*

AVVERTENZE GENERALI DI PERICOLO PER ELETTROUTENSILI

- **Evitare l'accensione accidentale.** Accertarsi che l'interruttore sia in posizione "OFF" prima di inserire la spina. *Se si trasportano gli utensili con il dito sull'interruttore o si inserisce la spina nella presa con l'interruttore in posizione "ON" aumenta il rischio di incidenti.*
- **Togliere tutte le chiavi di regolazione prima di accendere l'utensile.** *Una chiave lasciata inserita in una parte rotante di un utensile può provocare danni a persone.*
- **Non utilizzare l'utensile in condizioni estreme.** **Mantenere sempre l'equilibrio ed i piedi ben appoggiati a terra.** *Questo consente un maggior controllo dell'utensile in caso di imprevisti.*
- **Indossare un abbigliamento adeguato.** **Non indossare abiti svolazzanti o gioielli.** **Tenere capelli, vestiti, e guanti lontani dalle parti in movimento.** *Abiti svolazzanti, gioielli o capelli potrebbero impigliarsi nelle parti in movimento.*
- **In presenza di apparecchiature per il collegamento a dispositivi di aspirazione e raccolta delle polveri, accertarsi che essi siano collegati ed utilizzarli correttamente.** *L'uso di queste apparecchiature può ridurre i rischi causati dalla polvere.*

USO E MANUTENZIONE DELL'UTENSILE

- **Utilizzare l'utensile più adatto per il lavoro da svolgere.** *L'impiego dell'utensile giusto migliora la qualità del lavoro e la sicurezza.*
- **Non utilizzare l'utensile se non è possibile accenderlo e spegnerlo con l'apposito interruttore.** *Gli utensili che non possono essere controllati con l'interruttore sono pericolosi e devono essere riparati.*
- **Staccare la spina dall'alimentazione di corrente prima di eseguire regolazioni, cambiare accessori o riporre l'utensile.** *Osservando queste precauzioni si riduce il rischio di accensione accidentale dell'utensile.*
- **Riporre gli utensili non utilizzati fuori dalla portata dei bambini e non consentirne l'utilizzo a persone che non conoscono l'utensile o queste istruzioni.** *Nelle mani di persone inesperte gli utensili possono diventare pericolosi.*
- **Sottoporre l'utensile a manutenzione.** **Verificare il corretto allineamento di tutte le parti mobili, controllare che non siano grippate e che non vi siano rotture o altri guasti che potrebbero influire sul funzionamento dell'utensile.** *Far riparare gli utensili danneggiati prima di riutilizzarli. Molti incidenti sono causati da utensili in pessime condizioni.*
- **Tenere le punte e gli strumenti da taglio puliti ed affilati.** *Se sottoposti ad una regolare manutenzione e pulizia consentono di lavorare in modo più preciso e sono maggiormente controllabili.*
- **Utilizzare l'utensile, gli accessori, gli attrezzi etc. secondo quanto indicato in queste istruzioni nonché tenendo in considerazione le condizioni di lavoro e il lavoro da eseguire.** *L'impiego di utensili per scopi diversi da quelli per cui sono stati progettati può dare origine a situazioni pericolose.*

AVVERTENZE DI SICUREZZA PER LA LUCIDATURA

- Usare questo elettrotensile come lucidatrice. Osservare tutte le istruzioni di sicurezza, indicazioni, illustrazioni e dati consegnati con l'apparecchio. In caso di mancata osservanza delle istruzioni seguenti, possibilità di scossa elettrica, incendio e/o lesioni gravi.
- Questo elettrotensile non è idoneo per la levigatura, smerigliatura a carta abrasiva, per lavori con spazzole metalliche e per troncatura. Gli impieghi, per i quali l'elettrotensile non è previsto, possono causare pericoli e lesioni.
- Non usare accessori, che non siano stati espressamente previsti e raccomandati dal costruttore per questo elettrotensile. Il solo fatto che l'accessorio può essere fissato a questo elettrotensile non garantisce un uso sicuro.
- Il numero di giri consentito dell'utensile montato deve essere come minimo uguale al numero di giri massimo indicato sull'elettrotensile. L'accessorio che gira ad una velocità superiore a quella consentita può frantumarsi ed essere proiettato tutt'intorno.
- Il diametro esterno e lo spessore dell'utensile montato devono corrispondere alle dimensioni indicate dell'elettrotensile. Gli utensili con caratteristiche sbagliate non possono essere schermati o controllati adeguatamente.
- Accessori con filetto riportato devono essere adatti in modo preciso alla filettatura dell'alberino. Negli accessori che vengono montati tramite flangia, il diametro del foro dell'accessorio deve corrispondere al diametro di alloggiamento della flangia. Accessori che non vengono fissati in modo preciso all'elettrotensile non ruotano in modo uniforme, vibrano molto forte e possono provocare la perdita del controllo.
- Non impiegare utensili danneggiati. Prima di ogni utilizzo controllare i portautensili e gli accessori ed accertarsi che sui dischi abrasivi non vi siano scheggiature o crepature, che il platoletto non sia soggetto ad incrinature, crepature o forte usura e che le spazzole metalliche non abbiano fili metallici allentati oppure rotti. In caso di caduta dell'elettrotensile o dell'utensile, controllare se hanno subito danni, o montare un utensile di lavoro privo di danni. Dopo avere controllato e montato l'utensile di lavoro, allontanare le persone che sono nelle vicinanze dal piano di rotazione dell'utensile e fare girare l'apparecchio per un minuto al massimo numero di giri. In questo tempo di prova, gli utensili montati che presentano danni si rompono.
- Indossare l'equipaggiamento protettivo personale. A seconda dell'impiego, usare la protezione integrale per il viso, la protezione per gli occhi oppure occhiali protettivi. Se necessario, indossare la maschera antipolvere, la protezione per l'udito, guanti protettivi o il grembiule speciale, che impedisce il contatto con piccole particelle di abrasivo e di materiale. Gli occhi devono essere protetti contro corpi estranei volanti, che hanno origine in diversi impieghi. La maschera antipolvere o maschera di respirazione deve filtrare la polvere che si sviluppa durante l'impiego. In caso di lunga esposizione a forte rumore, vi è la possibilità di danni all'udito.

AVVERTENZE DI SICUREZZA PER LA LUCIDATURA

DESCRIZIONE DEL UNZIONAMENTO

- In presenza di altre persone, prestare attenzione alla loro distanza di sicurezza dalla vostra zona di lavoro. Chiunque entri nella zona di lavoro deve indossare l'equipaggiamento protettivo personale. Frammenti di materiale lavorato o di utensili montati che si rompono possono essere proiettati e causare anche lesioni all'esterno dell'area di lavoro diretta.
- Quando si eseguono lavori, durante i quali l'utensile montato potrebbe toccare linee elettriche nascoste oppure il suo stesso cavo di alimentazione, afferrare l'elettro utensile solo sulle superfici diprese isolate. Il contatto con una linea elettrica sotto tensione può mettere sotto tensione anche le parti metalliche dell'elettro utensile e provocare una scossa elettrica.
- Tenere il cavo di alimentazione lontano da utensili montati in rotazione. In caso di perdita del controllo dell'apparecchio, il cavo di alimentazione potrebbe essere troncato oppure potrebbe avvolgersi sull'utensile in rotazione avvicinandolo così alla vostra mano oppure al braccio.
- Non deporre mai l'elettro utensile, prima che l'utensile montato sia completamente fermo. L'utensile montato in rotazione può entrare in contatto con la superficie di appoggio, causando così la perdita del vostro controllo sull'elettro utensile.
- Non tenere l'elettro utensile in funzione durante il trasporto. A causa del contatto accidentale con l'utensile in rotazione il vostro abbigliamento s'impiglia nell'utensile e così lo avvicina e lo fa penetrare nel vostro corpo.
- Pulire regolarmente le fessure di ventilazione dell'elettro utensile. La ventola del motore attira la polvere nella carcassa, ed un forte accumulo di polvere metallica può causare pericoli elettrici.
- Non usare l'elettro utensile in prossimità di materiali infiammabili. Le scintille possono incendiare questi materiali.
- Non usare utensili montati, che richiedono l'impiego di refrigeranti liquidi. L'impiego di acqua o di altri liquidi di raffreddamento può causare una scossa elettrica.

DESCRIZIONE DEL UNZIONAMENTO

1. Interruttore ON/OFF
2. Potenziometro per la regolazione dei giri
3. Maniglia ausiliaria a forma di D.
4. Maniglia ausiliaria
5. Platorello elastico con velcro
6. Utensile con velcro per fissaggio al platorello (disco morbido intermedio, mola abrasiva, tampone in spugna, disco di feltro, cuffia in lana d'agnello)

Istruzioni per l'uso

AVVIAMENTO - ARRESTO

- Avviamento: Premere il cursore dell'interruttore 1 nella sua parte posteriore, e poi spostarlo in avanti nella direzione della freccia, finché la sua parte anteriore non si affonderà e bloccherà.
- Arresto: Premere la parte posteriore sollevata dell'interruttore 4 e lasciarlo ritornare da solo nella posizione di partenza.

Preselezione del numero di giri

- Per la regolazione del numero di giri di lavoro, disporre la rotella di regolazione 2 sul valore desiderato.

MONTAGGIO DELLA MANIGLIA AUSILIARIA

- La maniglia ausiliaria 3 è fissata alla scatola del cambio da due bulloni sotto le teste dei bulloni. L'avvitamento e lo svitamento dei bulloni viene eseguito da una chiave fissa.
- La maniglia ausiliaria 4 può essere montata alternativamente sul lato destro o sinistro della scatola degli ingranaggi. Viene avvitato direttamente sul cambio della macchina.

TAMPONE DI SOSTEGNO

- Il supporto posteriore 5 può essere avvitato direttamente sul mandrino. Gli strumenti operativi a strappo 6 (carta vetrata, spugna per lucidare, ruota in feltro, cuffia in lana di agnello, ecc.) Possono essere fissati direttamente sul supporto di supporto.
- Per smontare (svitare) il supporto posteriore utilizzare una chiave quando necessario.

FISSAGGIO DELLO STRUMENTO DI FUNZIONAMENTO AL SOTTOPIEDE DI GANCIO E LOOP (VELCRO)

- Lo strumento operativo fissato al supporto deve essere $\varnothing_{\min} 148$. Lo strumento operativo deve essere allineato con il cuscinetto di supporto e prestare attenzione per garantirne la coassialità. Gli strumenti operativi montati eccentricamente causano oscillazioni e vibrazioni.
- **ATTENZIONE:** utilizzare solo pad con sistema hook-and-loop non danneggiato. Eseguire un test di prova per almeno 30 secondi a vuoto dopo aver sostituito il supporto posteriore.
- **ATTENZIONE:** i cuscinetti di supporto vibranti o altrimenti ruotati in modo errato devono essere sostituiti immediatamente!

MANUTENZIONE

DATI TECNICI

MANUTENZIONE

CONTROLLI GENERICI

Controllare regolarmente tutti gli elementi di fissaggio ed accertarsi che siano saldamente assicurati. Nel caso in cui qualche vite si è allentata, stringerla subito, per evitare situazioni di rischio.

Lubrificare regolarmente tutte le parti in movimento. Se il cavo di alimentazione è guasto, la sostituzione deve essere fatta dal costruttore o da un suo specialista di centro assistenza, per ovviare ai pericoli relativi alla sostituzione.

PULIZIA

Per un lavoro sicuro mantenere sempre puliti la macchina e i fori di ventilazione. Verificare regolarmente che non siano penetrati polvere o corpi estranei nella griglia di ventilazione vicino al motore elettrico o intorno ai commutatori. Usare una spazzola soffice per rimuovere la polvere ammassata. Per proteggere gli occhi durante la pulitura, portare occhiali di protezione.

Se la carcassa della macchina necessita la pulitura, spolverarla con un canovaccio morbido e umido. Si può usare un debole detergente.

ATTENZIONE: Non è ammesso l'uso di alcool, benzina o altri solventi. Non adoperare mai preparati attaccanti per la pulitura delle parti plastiche. Non è ammessa l'entrata di acqua in contatto con la macchina.

PARTI DI RICAMBIO

Per provvedere a un lavoro sicuro con l'elettrotensile, e alla sua affidabilità, tutte le attività relative alla riparazione, la manutenzione e la regolazione (ivi incluse la verifica e la sostituzione delle spazzole) vanno effettuare nei centri assistenza autorizzati, usando soltanto pezzi di ricambio originali.

DATI TECNICI

Modello	XPA9-125E
Tensione	220-240 V~
Potenza assorbita	700 W
Numero di giri a vuoto	2000-6400/min.
Tampone di sostegno Ø	75 and 125 mm
Peso	2,5 kg

DATI TECNICI

DICHIARAZIONE DI CONFORMITÀ

A-livello di pressione sonora ponderata LpA	89 db(A), uncertainty 3 dB(A)
A-livello di potenza sonora ponderata LwA	100 dB(A), uncertainty 3 dB(A)
Valore delle vibrazioni emesse a _{hb} , a _{hm}	3.09 m/s ² , uncertainty 1,5 m/s ²
Classe di protezione	II

ACCESSORI:

Platorello elastico 75 mm, Platorello elastico 125 mm, Maniglia ausiliaria (2).

L'azienda produttrice si riserva il diritto di apportare modifiche tecniche senza preavviso.

DICHIARAZIONE DI CONFORMITÀ

Noi dichiariamo sotto la nostra personale responsabilità, che questo prodotto è in conformità a tutte le disposizioni pertinenti della presente direttive e norme armonizzate: **2006/42/EC, 2014/30/EU; EN 60745-1:2009+A11:2010, EN 60745-2-3:2011+A2:2013+A11:2014+A12:2014+A13:2015, EN 55014-1:2017, EN 55014-2:2015, EN IEC 61000-3-2:2019, EN 61000-3-3:2013+A1:2019, AfPS GS 2019:01 PAK.**

Il fascicolo tecnico viene custodito presso la: STATUS ITALIA S.R.L., via Aldo Moro, 14/A, 36060 - Pianezze (VI), ITALY



Caron Giacinto
Director
STATUS Italia S.r.l.

Verwendungszweck

Allgemeine Sicherheitshinweise für Elektrowerkzeuge

VERWENDUNGSZWECK

Dieser Polierer ist bestimmt – für den gewerblichen Einsatz in Industrie und Handwerk, – für Polierarbeiten jeglicher Art mit Polierschwämmen, Lamm- und Wollfellen, Filzteller, Schwabbelnscheibe.

Allgemeine Sicherheitshinweise für Elektrowerkzeuge

ARBEITSPLATZSICHERHEIT

- Halten Sie Ihren Arbeitsbereich sauber und gut beleuchtet. *Unordnung oder unbeleuchtete Arbeitsbereiche können zu Unfällen führen.*
- Arbeiten Sie mit dem Elektrowerkzeug nicht in explosionsgefährdeter Umgebung, in der sich brennbare Flüssigkeiten, Gase oder Stäube befinden. *Elektrowerkzeuge erzeugen Funken, die den Staub oder die Dämpfe entzünden können.*
- Halten Sie Kinder und andere Personen während der Benutzung des Elektrowerkzeugs fern. *Bei Ablenkung können Sie die Kontrolle über das Gerät verlieren.*

ELEKTRISCHE SICHERHEIT

- Der Anschlussstecker des Elektrowerkzeuges muss in die Steckdose passen. Der Stecker darf in keiner Weise verändert werden. Verwenden Sie keine Adapterstecker gemeinsam mit schutzgeerdeten Elektrowerkzeugen. *Unveränderte Stecker und passende Steckdosen verringern das Risiko eines elektrischen Schlages.*
- Vermeiden Sie Körperkontakt mit geerdeten Oberflächen wie von Rohren, Heizungen, Herden und Kühlschränken. *Es besteht ein erhöhtes Risiko durch elektrischen Schlag, wenn Ihr Körper geerdet ist.*
- Halten Sie Elektrowerkzeuge von Regen oder Nässe fern. *Das Eindringen von Wasser in ein Elektrowerkzeug erhöht das Risiko eines elektrischen Schlages.*
- Zweckentfremden Sie das Kabel nicht, um das Elektrowerkzeug zu tragen, aufzuhängen oder um den Stecker aus der Steckdose zu ziehen. Halten Sie das Kabel fern von Hitze, Öl, scharfen Kanten oder sich bewegendem Geräteteilen. *Beschädigte oder verwickelte Kabel erhöhen das Risiko eines elektrischen Schlages.*
- Wenn Sie mit einem Elektrowerkzeug im Freien arbeiten, verwenden Sie nur Verlängerungskabel, die auch für den Außenbereich geeignet sind. *Die Anwendung eines für den Außenbereich geeigneten Verlängerungskabels verringert das Risiko eines elektrischen Schlages.*
- Wenn der Betrieb des Elektrowerkzeuges in feuchter Umgebung nicht vermeidbar ist, verwenden Sie einen Fehlerstromschutzschalter. *Der Einsatz eines Fehlerstromschutzschalters vermindert das Risiko eines elektrischen Schlages.*

Allgemeine Sicherheitshinweise für Elektrowerkzeuge

SICHERHEIT VON PERSONEN

- **Seien Sie aufmerksam, achten Sie darauf, was Sie tun, und gehen Sie mit Vernunft an die Arbeit mit einem Elektrowerkzeug. Benutzen Sie kein Elektrowerkzeug, wenn Sie müde sind oder unter dem Einfluss von Drogen, Alkohol oder Medikamenten stehen.** *Ein Moment der Unachtsamkeit beim Gebrauch des Elektrowerkzeuges kann zu ernsthaften Verletzungen führen.*
- **Tragen Sie persönliche Schutzausrüstung und immer eine Schutzbrille.** *Das Tragen persönlicher Schutzausrüstung, wie Staubmaske, rutschfeste Sicherheitsschuhe, Schutzhelm oder Gehörschutz, je nach Art und Einsatz des Elektrowerkzeuges, verringert das Risiko von Verletzungen.*
- **Vermeiden Sie eine unbeabsichtigte Inbetriebnahme. Vergewissern Sie sich, dass das Elektrowerkzeug ausgeschaltet ist, bevor Sie es an die Stromversorgung und/oder den Akku anschließen, es aufnehmen oder tragen.** *Wenn Sie beim Tragen des Elektrowerkzeuges den Finger am Schalter haben oder das Gerät eingeschaltet an die Stromversorgung anschließen, kann dies zu Unfällen führen.*
- **Entfernen Sie Einstellwerkzeuge oder Schraubenschlüssel, bevor Sie das Elektrowerkzeug einschalten.** *Ein Werkzeug oder Schlüssel, der sich in einem drehenden Geräteteil befindet, kann zu Verletzungen führen.*
- **Vermeiden Sie eine abnormale Körperhaltung. Sorgen Sie für einen sicheren Stand und halten Sie jederzeit das Gleichgewicht.** *Dadurch können Sie das Elektrowerkzeug in unerwarteten Situationen besser kontrollieren.*
- **Tragen Sie geeignete Kleidung. Tragen Sie keine weite Kleidung oder Schmuck. Halten Sie Haare, Kleidung und Handschuhe fern von sich bewegenden Teilen.** *Lockere Kleidung, Schmuck oder lange Haare können von sich bewegenden Teilen erfasst werden.*
- **Wenn Staubabsaug- und -auffangeinrichtungen montiert werden können, vergewissern Sie sich, dass diese angeschlossen sind und richtig verwendet werden.** *Verwendung einer Staubabsaugung kann Gefährdungen durch Staub verringern.*

VERWENDUNG UND BEHANDLUNG DES ELEKTROWERKZEUGES

- **Überlasten Sie das Gerät nicht. Verwenden Sie für Ihre Arbeit das dafür bestimmte Elektrowerkzeug.** *Mit dem passenden Elektrowerkzeug arbeiten Sie besser und sicherer im angegebenen Leistungsbereich.*
- **Benutzen Sie kein Elektrowerkzeug, dessen Schalter defekt ist.** *Ein Elektrowerkzeug, das sich nicht mehr ein- oder ausschalten lässt, ist gefährlich und muss repariert werden.*
- **Ziehen Sie den Stecker aus der Steckdose und/oder entfernen Sie den Akku, bevor Sie Geräteeinstellungen vornehmen, Zubehörteile wechseln oder das Gerät weglegen.** *Diese Vorsichtsmaßnahme verhindert den unbeabsichtigten Start des Elektrowerkzeuges.*

Allgemeine Sicherheitshinweise für Elektrowerkzeuge

SICHERHEITSHINWEISE ZUM POLIEREN

- **Bewahren Sie unbenutzte Elektrowerkzeuge außerhalb der Reichweite von Kindern auf. Lassen Sie Personen das Gerät nicht benutzen, die mit diesem nicht vertraut sind oder diese Anweisungen nicht gelesen haben.** *Elektrowerkzeuge sind gefährlich, wenn Sie von unerfahrenen Personen benutzt werden.*
- **Pflegen Sie Elektrowerkzeuge mit Sorgfalt. Kontrollieren Sie, ob bewegliche Teile einwandfrei funktionieren und nicht klemmen, ob Teile gebrochen oder so beschädigt sind, dass die Funktion des Elektrowerkzeuges beeinträchtigt ist. Lassen Sie beschädigte Teile vor dem Einsatz des Gerätes reparieren.** *Viele Unfälle haben ihre Ursache in schlecht gewarteten Elektrowerkzeugen.*
- **Halten Sie Schneidwerkzeuge scharf und sauber.** *Sorgfältig gepflegte Schneidwerkzeuge mit scharfen Schneidkanten verklemmen sich weniger und sind leichter zu führen.*
- **Verwenden Sie Elektrowerkzeug, Zubehör, Einsatzwerkzeuge usw. entsprechend diesen Anweisungen. Berücksichtigen Sie dabei die Arbeitsbedingungen und die auszuführende Tätigkeit.** *Der Gebrauch von Elektrowerkzeugen für andere als die vorgesehenen Anwendungen kann zu gefährlichen Situationen führen.*

SERVICE

- **Lassen Sie Ihr Elektrowerkzeug nur von qualifiziertem Fachpersonal und nur mit Original-Ersatzteilen reparieren.** *Damit wird sichergestellt, dass die Sicherheit des Elektrowerkzeuges erhalten bleibt.*

SICHERHEITSHINWEISE ZUM POLIEREN

- Dieses Elektrowerkzeug ist zu verwenden als Polierer. Beachten Sie alle Sicherheitshinweise, Anweisungen, Darstellungen und Daten, die Sie mit dem Gerät erhalten. Wenn Sie die folgenden Anweisungen nicht beachten, kann es zu elektrischem Schlag, Feuer und/oder schweren Verletzungen kommen.
- Dieses Elektrowerkzeug ist nicht geeignet zum Schleifen, Sandpapierschleifen, Arbeiten mit Drahtbürsten und Trennschleifen. Verwendungen, für die das Elektrowerkzeug nicht vorgesehen ist, können Gefährdungen und Verletzungen verursachen.
- Verwenden Sie kein Zubehör, das vom Hersteller nicht speziell für dieses Elektrowerkzeug vorgesehen und empfohlen wurde. Nur weil Sie das Zubehör an Ihrem Elektrowerkzeug befestigen können, garantiert das keine sichere Verwendung.
- Die zulässige Drehzahl des Einsatzwerkzeugs muss mindestens so hoch sein wie die auf dem Elektrowerkzeug angegebene Höchstdrehzahl. Zubehör, das sich schneller als zulässig dreht, kann zerbrechen und umherfliegen.
- Außendurchmesser und Dicke des Einsatzwerkzeugs müssen den Maßangaben Ihres Elektrowerkzeugs entsprechen. Falsch bemessene Einsatzwerkzeuge können nicht ausreichend abgeschirmt oder kontrolliert werden.

SICHERHEITSHINWEISE ZUM POLIEREN

- Einsatzwerkzeuge mit Gewindeeinsatz müssen genau auf das Gewinde der Schleifspindel passen. Bei Einsatzwerkzeugen, die mittels Flansch montiert werden, muss der Lochdurchmesser des Einsatzwerkzeuges zum Aufnahmedurchmesser des Flansches passen. Einsatzwerkzeuge, die nicht genau am Elektrowerkzeug befestigt werden, drehen sich ungleichmäßig, vibrieren sehr stark und können zum Verlust der Kontrolle führen.
- Verwenden Sie keine beschädigten Einsatzwerkzeuge. Kontrollieren Sie vor jeder Verwendung Einsatzwerkzeuge wie Schleifscheiben auf Absplitterungen und Risse, Schleifteller auf Risse, Verschleiß oder starke Abnutzung, Drahtbürsten auf lose oder gebrochene Drähte. Wenn das Elektrowerkzeug oder das Einsatzwerkzeug herunterfällt, überprüfen Sie, ob es beschädigt ist, oder verwenden Sie ein unbeschädigtes Einsatzwerkzeug. Wenn Sie das Einsatzwerkzeug kontrolliert und eingesetzt haben, halten Sie und in der Nähe befindliche Personen sich außerhalb der Ebene des rotierenden Einsatzwerkzeugs auf und lassen Sie das Gerät eine Minute lang mit Höchstdrehzahl laufen. Beschädigte Einsatzwerkzeuge brechen meist in dieser Testzeit.
- Tragen Sie persönliche Schutzausrüstung. Verwenden Sie je nach Anwendung Vollgesichtsschutz, Augenschutz oder Schutzbrille. Soweit angemessen, tragen Sie Staubmaske, Gehörschutz, Schutzhandschuhe oder Spezialschürze, die kleine Schleif- und Materialpartikel von Ihnen fernhält. Die Augen sollen vor herumfliegenden Fremdkörpern geschützt werden, die bei verschiedenen Anwendungen entstehen. Staub- oder Atemschutzmaske müssen den bei der Anwendung entstehenden Staub filtern. Wenn Sie lange lautem Lärm ausgesetzt sind, können Sie einen Hörverlust erleiden.
- Achten Sie bei anderen Personen auf sicheren Abstand zu Ihrem Arbeitsbereich. Jeder, der den Arbeitsbereich betritt, muss persönliche Schutzausrüstung tragen. Bruchstücke des Werkstücks oder gebrochener Einsatzwerkzeuge können wegfliegen und Verletzungen auch außerhalb des direkten Arbeitsbereichs verursachen.
- Halten Sie das Gerät nur an den isolierten Griffflächen, wenn Sie Arbeiten ausführen, bei denen das Einsatzwerkzeug verborgene Stromleitungen oder das eigene Netzkabel treffen kann. Der Kontakt mit einer spannungsführenden Leitung kann auch metallene Geräteteile unter Spannung setzen und zueinem elektrischen Schlag führen.
- Halten Sie das Netzkabel von sich drehenden Einsatzwerkzeugen fern. Wenn Sie die Kontrolle über das Gerät verlieren, kann das Netzkabel durchtrennt oder erfasst werden und Ihre Hand oder ihr Arm in das sich drehende Einsatzwerkzeug geraten.
- Legen Sie das Elektrowerkzeug niemals ab, bevor das Einsatzwerkzeug völlig zum Stillstand gekommen ist. Das sich drehende Einsatzwerkzeug kann in Kontakt mit der Ablagefläche geraten, wodurch Sie die Kontrolle über das Elektrowerkzeug verlieren können.
- Lassen Sie das Elektrowerkzeug nicht laufen, während Sie es tragen. Ihre Kleidung kann durch zufälligen Kontakt mit dem sich drehenden Einsatzwerkzeug erfasst werden und

Elemente des Elektrowerkzeugs

Betriebshinweise

das Einsatzwerkzeug sich in Ihren Körper bohren.

- Reinigen Sie regelmäßig die Lüftungsschlitze Ihres Elektrowerkzeugs. Das Motorgebläse zieht Staub in das Gehäuse, und eine starke Ansammlung von Metallstaub kann elektrische Gefahren verursachen.
- Verwenden Sie das Elektrowerkzeug nicht in der Nähe brennbarer Materialien. Funken können diese Materialien entzünden.
- Verwenden Sie keine Einsatzwerkzeuge, die flüssige Kühlmittel erfordern. Die Verwendung von Wasser oder anderen flüssigen Kühlmitteln kann zu einem elektrischen Schlag führen.

Elemente des Elektrowerkzeugs

1. Ein- und Ausschalter
2. Drehzahlregler
3. D-förmiger Hilfsgriff
4. Hilfsgriff
5. Schleifteller
6. Arbeitswerkzeug mit funktionstüchtigem Fixiersystem zum Schleifteller (weiche Zwischenscheibe, Sandpapier, Polierschwamm, Filzpolierscheibe, Lammfellbezug)

Betriebshinweise

EIN- UND AUSSCHALTEN

- Einschalten: Den Ein- und Ausschalter 1 im hinteren Teil drücken und nach vorn in Pfeilrichtung schieben, bis sein Vorderteil versinkt und einrastet.
- Ausschalten: Den hinteren Teil des Ein- und Ausschalters drücken und zurück in die Ausgangsposition gleiten lassen.

Drehzahlvorwahl

- Zum Einstellen der Arbeitsdrehzahl das Stellrad 2 auf den gewünschten Wert stellen.

MONTAGE DES ZUSATZGRIFFS

- Der Hilfsgriff 3 ist mit zwei Schrauben unter den Schraubenköpfen am Getriebe befestigt. Das Schrauben und Lösen der Schrauben erfolgt mit einem offenen Schraubenschlüssel.
- Der Hilfsgriff 4 kann alternativ rechts oder links am Getriebe montiert werden. Es wird direkt mit dem Maschinengetriebe verschraubt.

RÜCKENPAD

- Das Stützkissen 5 kann direkt auf die Spindel geschraubt werden. Die Klettwerkzeuge 6 (Schleifpapier, Polierschwamm, Filzrad, Lammwollehaube usw.) können direkt auf dem Trägerpolster befestigt werden.

Betriebshinweise

INSTANDHALTUNG

- Verwenden Sie zum Abnehmen (Abschrauben) des Trägerpolsters bei Bedarf einen Schraubenschlüssel.

BEFESTIGEN DES BETRIEBSWERKZEUGS AN DER HAKEN-UND-SCHLEIFE (VELCRO)

- Das am Trägerpolster befestigte Bedienwerkzeug muss $\varnothing_{\text{min}} 148$ sein. Das Bedienwerkzeug muss auf das Stützkissen ausgerichtet sein und es muss darauf geachtet werden, dass es koaxial ist. Exzentrisch montierte Bedienwerkzeuge verursachen Wackeln und Vibrationen.
- **WARNUNG:** Verwenden Sie nur Pads mit unbeschädigtem Klettverschluss. Führen Sie nach dem Ersetzen des Trägerpolsters mindestens 30 Sekunden lang einen Test ohne Last durch.
- **WARNUNG:** Vibrierende oder anderweitig nicht ordnungsgemäß drehende Stützkissen müssen sofort wieder eingesetzt werden!

INSTANDHALTUNG

ALLGEMEINE ÜBERPRÜFUNG

Überprüfen Sie regelmäßig alle festhaltenden Elemente und überzeugen Sie sich, dass sie gut festgezogen sind. Falls irgendwelche Schraubenlocker geworden sind, ziehen Sie diese unverzüglich fest, damit Sie Risikosituationen vermeiden können.

Schmieren Sie regelmäßig alle sich bewegenden Teile. Falls das Netzkabel beschädigt ist, darf nur der Hersteller oder ein Servicefachmann des Herstellers den Austausch ausführen.

REINIGUNG

Zu einer sicheren Arbeit halten Sie die Maschine und die Ventilationsöffnungen immer sauber. Überprüfen Sie regelmäßig ob kein Staub oder Fremdkörper durch das Ventilationsgitter in der Nähe des Elektromotors oder um die Schalter eingedrungen sind. Benutzen Sie eine weiche Bürste um den angehäuften Staub zu beseitigen. Um Ihre Augen zu schützen, tragen Sie während der Reinigung eine Schutzbrille.

Wenn das Gehäuse der Maschine eine Reinigung braucht, wischen Sie es mit einem weichen feuchten Tuch ab. Man kann auch ein verdünntes Spülmittel benutzen.

WARNUNG!

Verwenden Sie niemals Alkohol, Benzin oder andere Reinigungsmittel. Verwenden Sie niemals ätzende Mittel Saubere Kunststoffteile. Wasser darf niemals mit dem Werkzeug in Berührung kommen.

ERSATZTEILE

Um die Produktsicherheit und Zuverlässigkeit zu gewährleisten, sollten Reparaturen, Wartungen und Anpassungen (einschließlich Bürstenkontrolle und Austausch) von autorisierten Kundendienststellen durchgeführt werden, wobei immer echte Ersatzteile verwendet werden.

TECHNISCHE DATEN KONFORMITÄTSERKLÄRUNG

TECHNISCHE DATEN

Model	XPA9-125E
Stromspannung	220-240 V~
Leistungsaufnahme	700 W
Leerlaufgeschwindigkeit	2000-6400/min.
Rückenpad Ø	75 and 125 mm
Gewicht	2,5 kg
A-abgewogener Schalldruckpegel LpA	89 db(A), Unbestimmtheit 3 dB(A)
A-abgewogener Schallleistungspegel LwA	100 dB(A), Unbestimmtheit 3 dB(A)
Wert der ausgestrahlten Schwingungen ahb/ ahm	3.09 m/s ² , Unbestimmtheit 1,5 m/s ²
Schutzklasse	II

ZUBEHÖR:

Hilfsgriff 75 mm, Hilfsgriff 125 mm, Schleifteller.

Der Hersteller behält sich das Recht vor, Änderungen und Verbesserungen an den Produkten vorzunehmen und die Spezifikationen ohne vorherige Ankündigung zu ändern.

KONFORMITÄTSERKLÄRUNG

Hiermit versichern wir unsere persönliche Haftung, dass dieses Erzeugnis allen einschlägigen Bestimmungen folgender Richtlinien und entsprechender harmonisierten Standards entspricht:

2006/42/EC, 2014/30/EU; EN 60745-1:2009+A11:2010, EN 60745-2-3:2011+A2:2013+A11:2014+A12:2014+A13:2015, EN 55014-1:2017, EN 55014-2:2015, EN IEC 61000-3-2:2019, EN 61000-3-3:2013+A1:2019, AfPS GS 2019:01 PAK.

Die technischen Unterlagen werden bei: STATUS ITALIA S.R.L., via Aldo Moro, 14/A, 36060 - Pianezze (VI), ITALY



Caron Giacinto
Director
STATUS Italia S.r.l.

ПРЕДНАЗНАЧЕНИЕ НА УРЕДА ОСНОВНИ ИЗИСКВАНИЯ ЗА БЕЗОПАСНОСТ

ПРЕДНАЗНАЧЕНИЕ НА УРЕДА

Полиращата машина е предназначена: – За полиращи работи от всякакъв вид с полиращи гъби, агнешка вълна, вълнени шайби, филцови шайби, полиращи дискове.

ОСНОВНИ ИЗИСКВАНИЯ ЗА БЕЗОПАСНОСТ

РАБОТНО МЯСТО

- Пазете работното си място в чисто състояние, без каквито и да било странични предмети. *Работното място трябва да бъде добре осветено за избягване на нещастни случаи.*
- Не използвайте уреда за работа във взривоопасна атмосфера и в близост до лесно възпламеними течности. *Електрическият двигател на уреда по време на работа изпуска искри и това може да стане причина за пожар.*
- По време на работа не се допуска присъствието на странични лица и деца на работното място.

ЕЛЕКТРИЧЕСКА БЕЗОПАСНОСТ

- Мрежовата розетка трябва да съответства на щепселната вилка, която е монтирана на мрежовия кабел на уреда. *Забранено е да внасяте промени в конструкцията на вилката и да използвате каквито и да било преходни елементи.*
- По време на работа избягвайте контакта със заземени предмети: водопроводни тръби, отоплителни радиатори и други. *При контакт със заземени предмети рискът от електрически удар значително нараства.*
- Предпазвайте уреда от въздействието на водата и повишената влажност. *Попадането на вода във вътрешността на уреда може да причини електрически удар.*
- Пазете мрежовия кабел на уреда. Не бива да използвате кабела за пренасяне на уреда, не бива да дърпате кабела, за да изключите уреда. Разполагайте кабела по време на работа далеч от източници на топлина, подвижни части на уреда и предмети с остри краища. *Повреденият кабел може да стане причината за електрически удар.*
- При работа с уреда извън помещенията е необходимо да използвате удължител, който е специално предназначен за експлоатация на открито. *Използването на специален удължител съществено понижава риска от електрически удар.*
- Параметрите на мрежата, в която да включите уреда, трябва да съответстват на параметрите, посочени върху фабричната табелка на уреда (220-240 V~, 50 Hz).

ЛИЧНА БЕЗОПАСНОСТ

- Не бива да работите с уреда в състояние на алкохолно или наркотично опиянение, под въздействието на лекарства или ако сте болни. *Краткосрочната загуба на контрол над уреда по време на работа може да стане причината за тежки травми.*
- Винаги използвайте средства за индивидуална защита, както и защитни очила. Към средствата за индивидуална защита можем да включим следните: респиратор, обувки, които не се хлъзгат, както и шумозащитни наушници. *Прилагането на средства за защита ще направи работата ви по-комфортна и безопасна.*
- Бъдете внимателни: при включване на уреда в мрежата, клавишът на изключвателя не бива да бъде фиксиран във включено положение. *Това ще помогне за избягване на случайното включване на уреда.*
- Преди включване на уреда, от него трябва да бъдат свалени регулиращите инструменти, отвертките и други. *Попадането на инструмента в подвижните части на уреда при включване може да стане причината за настъпване на травми и да доведе до излизането му от строя.*
- По време на работа е необходимо да заемате устойчиво положение. Винаги стойте върху устойчива опора. *Загубата на равновесие по време на работа може да стане причината за настъпване на тежки травми.*
- Не бива да обличате за работа прекомерно свободни дрехи. Преди началото на работа свалете бижутата, които носите. Ако имате дълга коса, приберете я под шапка за коса. *Попадането на краищата на дрехите, бижутата и косата в движещите се части на уреда може да причини травми.*
- Ако е предвидено включването на прахосмукачка към уреда, е задължително да я включите преди работа. *Ефективното почистване на праха от работната зона ще направи работата ви по-удобна и ще запази здравето ви.*

БЕЗОПАСНА ЕКСПЛОАТАЦИЯ И СЪХРАНЕНИЕ НА УРЕДА

- Не бива да претоварвате уреда. За всеки вид работа използвайте само онзи вид инструмент или приспособление, които са предназначени за това.
- Не използвайте уреда, ако изключвателят му е повреден. *Ако изключвателят не работи както трябва, и включването/изключването на уреда е затруднено, изключвателят трябва да бъде незабавно подменен.*
- Винаги изключвайте уреда от мрежата, преди да регулирате уреда или да подмените приставката. *Това ще ви помогне да избегнете случайното включване на уреда по време на работите за обслужването му.*
- Съхранявайте уреда на място, което е недостъпно за деца и лица, които нямат необходимите навици за работа с уреда. *Лице, което преди това не е работило с такъв тип инструмент, преди началото на работата трябва внимателно да прочете тази инструкция.*

УКАЗАНИЯ ЗА БЕЗОПАСНОСТ ПРИ ПОЛИРАНЕ

- Преди да започнете работа, внимателно проверете състоянието на уреда: за лекотата на преместване на подвижните части, за липсата на повредени корпусни детайли и приспособления. *Всяка повредена част на изделието или приспособление трябва да бъде подменена преди началото на работата.*
- Съхранявайте режещото приспособление в чист вид, добре наточено и смазано.
- Използвайте инструмента и приспособлението само и единствено за извършване на тези видове работи, които са предвидени в инструкциите за експлоатация на съответния уред. *Експлоатацията на уреда не по предназначение може да доведе до счупването му и да причини травми.*

СЕРВИЗНО ОБСЛУЖВАНЕ

- **Ремонтът на уреда трябва да се извършва в оторизиран сервизен център, от квалифициран персонал и само и единствено с оригинални резервни части.** *Използването на резервни части, които не са сертифицирани от производителя на съответния уред може да доведе до излизане на уреда от строя и нарушаване на нормите за електрическа безопасност на уреда.*

УКАЗАНИЯ ЗА БЕЗОПАСНОСТ ПРИ ПОЛИРАНЕ

- Този електрически инструмент е предназначен за използване като полираща машина. Спазвайте всички указания за безопасност, препоръки, схеми и данни, които сте получили с уреда. Ако не спазвате следните препоръки, това може да доведе до токов удар, пожар и/или тежки наранявания.
- Този електрически инструмент не е предназначен за шлифване, шлифване с шкурка, работа с телени четки и рязане. Приложение, за което уредът не е предназначен, може да доведе до опасности и до наранявания.
- Не използвайте принадлежности, които не са изрично предназначени и препоръчани от производителя за този уред. Това че можете да поставите приставките на вашия електрически инструмент, не ви гарантира безопасно използване.
- Допустимото число на оборотите на приставките трябва да е най-малко толкова високо, колкото посоченото върху електрическия инструмент максимално число на оборотите. Принадлежностите, които се въртят по-бързо от допустимото, могат да се счупят и да излетят.
- Външният диаметър и дебелината на приставките трябва да съответстват на изискванията за размерите на вашия електрически инструмент. Приставките с неподходящи размери не могат да паснат добре или не могат да бъдат контролирани.
- Приставките с резба трябва да пасват точно на резбата на шлифовъчното вретено. При приставките, които се монтират с помощта на фланец, диаметърът на отвора на приставката трябва да съответства на диаметъра на поемане на фланеца. Работни инструменти, които не бъдат захванати правилно към електроинстру

УКАЗАНИЯ ЗА БЕЗОПАСНОСТ ПРИ ПОЛИРАНЕ

- мента, се въртят неравномерно, вибрират силно и могат да предизвикат загуба на контрол над електроинструмента.
- Не използвайте повредени приставки. Проверявайте приставките преди всяко използване за отцепени части и пукнатини. Когато електрическият инструмент или приставките паднат, проверете дали са повредени или използвайте неповредени приставки. Когато сте проверили и вече използвате приставките, дръжте намиращите се в близост лица далеч от нивото на въртящата се приставка и оставете уреда да работи една минута на най-високи обороти. Повредените приставки обикновено сечупят по време на този тест.
- Носете лично предпазно оборудване. В зависимост от работата носете пълна защита за лицето, защита за очите или предпазни очила. Доколкото е уместно, носете маска за прах, защита за слуха, предпазни ръкавици или специална престилка, които ще държат далеч от вас малките метални частици. Очите трябва да бъдат защитени от летящите наоколо чужди тела, които се получават по време на различните видове работа. Образованият по време на работа прах трябва да се филтрира от защитна маска за прах и за дишане. Когато се налага дълго време да сте подложени на висок шум, можете да изгубите слуха си.
- Когато има други лица, внимавайте те да се намират на безопасно разстояние от зоната на вашата работа. Всеки, който влиза в зоната на работа, трябва да носи лично защитно оборудване. Отчупени парчета от обработвания материал или счупени приставки могат да излетят и да причинят наранявания извън непосредствената работна зона.
- Пазете електрическия кабел далеч от въртящите се приставки. Ако изгубите контрол върху уреда, електрическият кабел може да бъде прерязан или захванат и китката или ръката ви могат да попаднат под въртящата се приставка.
- Никога не оставяйте електрическия инструмент, преди приставката да е спряла напълно да се движи. Въртящата се приставка може да влезе в контакт с мястото на поставяне и така да изгубите контрол върху електрическия инструмент.
- Не включвайте електрическия инструмент, докато го носите. Дрехите ви могат да бъдат захванати при случаен контакт с въртящата се приставка и приставката може да се забие в тялото ви.
- Почистявайте редовно въздушните отвори на електрическия инструмент. Вентилаторът на мотора изтегля в корпуса прах, като прекомерното събиране на метален прах може да предизвика електрически опасности.
- Не използвайте електрическия инструмент в близост до горящи материали. Искрите могат да възпламенят тези материали.
- Не използвайте приставки, които имат нужда от течни охлаждащи вещества. Използването на вода или други течни охлаждащи вещества може да причини токов удар.

Запознаване с електроинструмента

Указания за работа

Запознаване с електроинструмента

1. Прекъсвач
2. Потенциометър за регулиране на оборотите
3. Затворена допълнителна ръкохватка
4. Допълнителна ръкохватка
5. Еластичен диск с прилепваща система
6. Работен инструмент с прилепваща система за фиксиране към еластичния диск (мек междинен диск, абразивен лист, гъба, филцов диск, калъф от агнешка вълна)

Указания за работа

ПУСКАНЕ - СПИРАНЕ

- Пускане: Плъзгачът на прекъсвача 1 се натиска в задната част и след това се измества напред по посока на стрелката, докато предната му част хлътне и се застопори.
- Спиране: Задният надигнат край на прекъсвача 1 се натиска и се оставя самостоятелно да се върне назад в изходно положение.

Предварително избиране на числото на оборотите

- За регулиране на работните обороти поставете регулатора (2) на желаната стойност.

СВЪРЗВАНЕ НА ПОМОЩНАТА РЪКА

- Спомагателната дръжка 3 се закрепва към кутията на предавката с два болта под главите на болта. Завинтването и развиването на болтовете се извършва от отворен гаечен ключ.
- Спомагателната дръжка 4 може да бъде монтирана алтернативно в дясната или лявата страна на скоростната кутия. Той се завинтва директно към скоростната кутия на машината.

ПОДКЛЮЧВАНЕ НА ПОДЛОЖКА

- Подложката 5 може да се завинтва директно върху шпиндела. Инструментите за управление на куката и контура б (шкурка, полираща гъба, филцово колело, капак от агнешка вълна и др.) Могат да бъдат фиксирани директно върху подложката.
- За да демонтирате (развийте) подложката, използвайте гаечен ключ, когато е необходимо.

КРЕПЛЕНИЕ НА ОПЕРАТИВНИЯ ИНСТРУМЕНТ КЪМ ПОДКЛЮЧВАТА ПЛАСТИНА (VELCRO)

- Работният инструмент, закрепен към подложката, трябва да бъде $\varnothing_{\min} 148$. Работният инструмент трябва да бъде подравнен с подложката за подложка и трябва да се внимава за тяхната коаксиалност. Ексцентрично монтираните операционни инструменти причиняват трептене и вибрации.
- **ПРЕДУПРЕЖДЕНИЕ:** Използвайте само подложки със система, която не е повредена. Извършете пробен тест за поне 30 секунди без натоварване след подмяна на подложката.
- **ВНИМАНИЕ:** Вибриращите или по друг начин неправилно въртящи се подложки трябва да бъдат поставени незабавно!

ПОДДРЪЖКА

ОБЩА ПРОВЕРКА

Проверявайте редовно всички крепежни елементи и се уверете, че те са здраво притегнати. В случай, че някой от винтовете се е разхлабил, го затегнете незабавно, за да избегнете рискови ситуации.

Ако охранващият кабел е повреден, замяната трябва да се извърши от производителя или негов сервизен специалист, за да се избегнат опасностите от замяната.

ПОЧИСТВАНЕ

За безопасна работа поддържайте винаги чисти машината и вентилационните отвори. Редовно проверявайте дали във вентилационната решетка близо до електродвигателя или около превключвателите не е проникнал прах или чужди тела. Използвайте мека четка за да отстраните събралия се прах.

За да предпазите очите си, по време на почистването носете защитни очила.

Ако корпусът на машината се нуждае от почистване, извършете го с мека влажна кърпа. Може да се използва слаб препарат за миене.

ПРЕДУПРЕЖДЕНИЕ!

Не се допуска употребата на спирт, бензин или други разтворители. Никога не използвайте разяждащи препарати за почистване на пластмасовите части. Не се допуска влизането на вода в контакт с машината.

РЕЗЕРВНИ ЧАСТИ

За да се осигури безопасната работа с електроинструмента и неговата надеждност, всички дейности по ремонта, поддръжката и регулирането (включително проверката и подмяната на четките) трябва да се извършват в оторизираните сервиси с използване само на оригинални резервни части.

ТЕХНИЧЕСКИ ДАННИ

Модел	ХРА9-125E
Номинално напрежение	220-240 V~
Консумирана мощност	700 W
Обороти на празен ход	2000-6400/min.
Подложка Ø	75 and 125 mm
Тегло	2,5 kg
А-претеглено ниво на звуково налягане LpA	89 dB(A), Неопределеност 3 dB(A)
А-претеглено ниво на звукова мощност LwA	100 dB(A), Неопределеност 3 dB(A)
Стойност на излъчените вибрации ahb/ahm	3.09 m/s ²
Клас на защита	II

Окомплектовка:

Еластичен диск 75 мм, Еластичен диск 125 мм, Допълнителна ръкохватка, гъба за полиране .

Производителят си запазва правото да въвежда подобрения и промени в своите изделия и да променя спецификациите без предупреждение.

ДЕКЛАРАЦИЯ ЗА СЪОТВЕТСТВИЕ

ДЕКЛАРАЦИЯ ЗА СЪОТВЕТСТВИЕ

Декларираме на своя лична отговорност, че електроинструмент(и) **ХРА9-125Е** съгласно даденото техническо описание отговаря на всички приложими изисквания на следните директиви: **2006/42/ЕС, 2014/30/EU.**

Хармонизирани стандарти: **EN 60745-1:2009+A11:2010, EN 60745-2-3:2011+A2:2013 +A11:2014+A12:2014+A13:2015, EN 55014-1:2017, EN 55014-2:2015, EN IEC 61000-3-2:2019, EN 61000-3-3:2013+A1:2019, AfPS GS 2019:01 ПАК.**

Техническа документация: STATUS ITALIA S.R.L., via Aldo Moro, 14/A, 36060 - Pianezze (VI), ITALY



Caron Giacinto
Director
STATUS Italia S.r.l.

STATUS ITALIA S.R.L., ул. „Алдо Моро“ 14/А –
36060 Пианезе (Виченца), Италия.

Дистрибутор на територията на България:
Спринтер ООД.

Адрес по регистрация: България, гр. София 1000, бул. Христо Ботев 28, ет. 7.

Адрес за кореспонденция: България, гр. София 1303,
бул. Тодор Александров №28, магазин №4.

Уебсайт: www.status-tools.com, E-mail: office@status-tools.eu.

Тел. 02 870 51 98

ПРЕДНАЗНАЧЕНИЕ ИЗДЕЛИЯ ОСНОВНЫЕ ТРЕБОВАНИЯ БЕЗОПАСНОСТИ

ПРЕДНАЗНАЧЕНИЕ ИЗДЕЛИЯ

Данная полировальная машина предназначена для выполнения полировальных работ любого вида с использованием полировальных губок, овечьих и шерстяных шкурок, войлочных и тканевых полировальных кругов.

ОСНОВНЫЕ ТРЕБОВАНИЯ БЕЗОПАСНОСТИ

РАБОЧЕЕ МЕСТО

- Содержите рабочее место чистым и свободным от посторонних предметов.
- Рабочее место должно быть хорошо освещено во избежание несчастных случаев.
- Не используйте изделие для работы во взрывоопасной атмосфере и вблизи от легковоспламеняющихся жидкостей. *Электродвигатель изделия при работе искрит и это может стать причиной пожара.*
- Во время работы не допускайте посторонних и детей к рабочему месту.

ЭЛЕКТРОБЕЗОПАСНОСТЬ

- Сетевая розетка должна соответствовать штепсельной вилке, установленной на сетевом кабеле изделия. Запрещается внесение изменений в конструкцию вилки и использование любых переходников.
- Во время работы избегайте контакта с заземленными предметами: водопроводными трубами, радиаторами отопления и т.д. *При контакте с заземленными предметами значительно возрастает риск поражения электрическим током.*
- Предохраняйте изделие от воздействия воды и повышенной влажности. *Попадание воды внутрь изделия может привести к поражению электрическим током.*
- Берегите сетевой кабель изделия. Не используйте кабель для переноски изделия, не тяните за кабель чтобы выключить изделие. Располагайте кабель во время работы вдали от источников тепла, подвижных частей изделия и предметов с острыми краями. *Поврежденный кабель может стать причиной поражения электрическим током.*
- При работе изделием вне помещения применяйте удлинитель, специально предназначенный для эксплуатации на открытом воздухе. *Использование специального удлинителя значительно снижает риск поражения электрическим током.*
- Параметры сети для подключения изделия должны соответствовать параметрам указанным на маркировочной табличке изделия. (220-240 В~, 50 Гц)

ЛИЧНАЯ БЕЗОПАСНОСТЬ

- Не работайте изделием в состоянии алкогольного или наркотического опьянения, под воздействием лекарств и в болезненном состоянии. *Кратковременная потеря контроля над изделием во время работы может стать причиной серьезной травмы.*
- Всегда применяйте средства индивидуальной защиты и защитные очки. К средствам индивидуальной защиты относятся: респиратор, нескользящая обувь и шумозащитные наушники. *Применение средств защиты сделает работу более комфортной и безопасной.*
- Внимательно следите за тем, чтобы при включении изделия в сеть, клавиша выключателя не была зафиксирована во включенном положении. *Это поможет избежать случайного включения изделия.*
- Следите за тем, чтобы перед включением изделия из него были удалены регулировочные инструменты, отвертки и т.п. *Попадание инструмента в подвижные части изделия при включении может стать причиной травмы и привести к выходу изделия из строя.*
- При работе занимайте устойчивое положение. Всегда стойте на устойчивой опоре. *Потеря равновесия во время работы может стать причиной серьезной травмы.*
- Не одевайте для работы излишне свободную одежду. Перед началом работы снимите ювелирные украшения. Если у Вас длинные волосы, спрячьте их под головной убор. *Попадание краев одежды, ювелирных изделий и волос в движущиеся части изделия может привести к травме.*
- Если в изделии предусмотрено подключение пылесоса обязательно подключите его перед работой. *Эффективное удаление пыли из рабочей зоны сделает работу более удобной и сохранит Ваше здоровье.*

БЕЗОПАСНОЕ ИСПОЛЬЗОВАНИЕ И ХРАНЕНИЕ ИЗДЕЛИЯ

- Не перегружайте изделие. Для каждого вида работ используйте только тот тип инструмента или оснастки, который для этого предназначен.
- Не используйте изделие с неисправным выключателем. *Если выключатель работает нечетко и включение/выключение изделия затруднено, выключатель подлежит немедленной замене.*
- Всегда отключайте изделия от сети перед тем как отрегулировать изделие или поменять оснастку. *Это поможет избежать случайного включения изделия во время работ по его обслуживанию.*
- Храните изделие в месте, недоступном детям и лицам не имеющим навыков работы с изделием. *Лицо, ранее не работавшее таким типом инструмента обязано перед началом работы внимательно прочитать эту инструкцию полностью.*

ПРАВИЛА БЕЗОПАСНОСТИ ДЛЯ ПОЛИРОВАЛЬНОЙ МАШИНОЙ

- Перед началом работы внимательно проверяйте состояние изделия: легкость перемещения подвижных частей, отсутствие повреждений корпусных деталей и оснастки. Любая поврежденная часть изделия или оснастки должна быть заменена перед началом работы.
- Содержите режущую оснастку в чистом виде, хорошо заточенной и смазанной.
- Используйте инструмент и оснастку только для производства тех видов работ, которые предусмотрены в инструкции по эксплуатации данного изделия. Использование изделия не по прямому назначению может привести к его поломке и травмам.

СЕРВИСНОЕ ОБСЛУЖИВАНИЕ

- Ремонт изделия должен осуществляться в авторизованном сервисном центре, квалифицированным персоналом и с использованием только оригинальных запасных частей. Использование при ремонте запасных частей не сертифицированных производителем данного изделия может привести к выходу изделия из строя и нарушению норм электробезопасности изделия.

ПРАВИЛА БЕЗОПАСНОСТИ ДЛЯ ПОЛИРОВАЛЬНОЙ МАШИНОЙ

- Этот электроинструмент следует использовать только в качестве полировальной машины. Обратите внимание на все полученные вместе с изделием указания по технике безопасности, инструкции, изображения и информацию. Несоблюдение Вами приведенных ниже указаний может привести к поражению током, пожару и/или к тяжелым травмам.
- Данное изделие не предназначено для шлифования абразивными шлифовальными кругами и наждачной бумагой, для работы с проволочными щетками и абразивными отрезанными кругами. Использование данного изделия не по назначению может привести к выходу его из строя и травмированию пользователя.
- Не используйте принадлежности, которые не предназначены или не рекомендованы изготовителем специально для данного изделия. Даже если Вы смогли закрепить принадлежность на своей машине, это еще не гарантирует надежность ее использования.
- Допустимое число оборотов рабочего инструмента должно быть не меньше указанного на маркировочной табличке изделия максимального числа оборотов. Оснастка, которая вращается быстрее, чем допустимо для нее, может разрушиться в процессе работы и нанести травмы оператору.
- Наружный диаметр и толщина рабочего инструмента должны соответствовать указанным на маркировочной табличке Вашего изделия размерам. Оснастка с несоответствующими размерами не позволяет обеспечить достаточную защиту оператора и контроль над изделием во время работы.

ПРАВИЛА БЕЗОПАСНОСТИ ДЛЯ ПОЛИРОВАЛЬНОЙ МАШИНОЙ

- Резьба на сменной оснастке должна точно подходить к резьбе шпинделя изделия. В сменных рабочих инструментах, монтируемых с помощью фланца, диаметр отверстий рабочего инструмента должен подходить к диаметру отверстий во фланце. Рабочие инструменты, которые не соответствуют по посадочным размерам Вашей полировальной машине, вращаются неравномерно, подвержены сильной вибрации и могут привести к потере контроля при работе и травмам.
- Не используйте дефектные рабочие инструменты. Проверяйте каждый раз перед использованием рабочие инструменты, как то, шлифовальные круги, на сколы и трещины, шлифовальные тарелки на трещины, глубокие царапины или сильный износ, проволочные щетки на незакрепленные или поломанные проволочки. После падения изделия или оснастки проверьте их на наличие повреждений. После проверки и установки оснастки займите рабочее положение за пределами плоскости вращения диска, и включите изделие на одну минуту на максимальное число оборотов. Поврежденные рабочие инструменты в большинстве случаев разрушаются сразу во время проверки.
- Используйте индивидуальные средства защиты. В зависимости от вида применения пользуйтесь защитным щитком для лица или защитными очками. Если есть необходимость, воспользуйтесь противопылевым респиратором, средствами для защиты органов слуха, защитными перчатками или специальным фартуком, который будет защищать Вас от мелких абразивных частиц и частиц материала. Противопылевой респиратор или фильтрующая защитная маска должны фильтровать пыль, образующуюся во время сухой полировки.
- Следите за тем, чтобы посторонние лица находились на безопасном расстоянии от Вашего рабочего места. Каждый, приближающийся к рабочему месту должен использовать индивидуальные средства защиты. Осколки обрабатываемой заготовки или разрушившейся оснастки могут отлететь в сторону и привести к телесным повреждениям даже за пределами рабочего места.
- Регулярно очищайте вентиляционные отверстия электроинструмента. Вентилятор электродвигателя засасывает пыль в корпус, а чрезмерное скопление металлической пыли может привести к опасности от поражения электрическим током.
- Не пользуйтесь электроинструментом вблизи горючих материалов. Искры могут воспламенить эти материалы.
- Не применяйте принадлежности, работа с которыми требует использование охлаждающих жидкостей. Применение воды или других охлаждающих жидкостей может привести к поражению или удару электрическим током.
- При работе в пыльной среде вентиляционные отверстия машины следует поддерживать в чистоте. Электроинструмент будет перегреваться при нарушении охлаждения вследствие забитых пылью вентиляционных отверстий.

ОПИСАНИЕ

1. Выключатель
2. Регулятор скорости вращения
3. Замкнутая дополнительная рукоятка
4. Прямая дополнительная рукоятка
5. Гибкий полировальный круг
6. Полировальная оснастка с креплением «липучка» (мягкий промежуточный диск, абразивный лист, губка, фетровый диск, чехол из овечьей шерсти)

УКАЗАНИЯ ПО РАБОТЕ

Включение/выключение

- Включение: Нажмите на заднюю часть выключателя 1 и продвиньте его вперёд до фиксации.
- Выключение: Нажмите на заднюю часть выключателя 1 и позвольте ему вернуться в исходное положение.

Установка скорости вращения

- Скорость вращения устанавливается регулятором 2 в нужное положение.

Монтаж дополнительной рукоятки

- Замкнутая рукоятка 3 устанавливается на корпус редуктора с помощью двух болтов и шестигранника.
- Дополнительная рукоятка 4 может быть установлена слева или справа на корпус редуктора. Устанавливается ввинчиванием в отверстия на корпусе редуктора.

Полировальный круг

- Полировальный круг 5 накручивается на шпindelь полировальной машины. Оснастка фиксируется непосредственно на полировальном круге с помощью «липучки» (VELCRO).
- Для монтажа/демонтажа полировального круга может понадобиться фиксация шпинделя с помощью ключа или кнопки фиксации шпинделя.

Фиксирование рабочей насадки на полировальном диске

- Рабочая насадка, устанавливаемая на диск, должна иметь $\varnothing_{\min} 148$. Она должна плотно лечь на диск, при монтаже следует обеспечить совпадение осей насадки и диска. Неправильно смонтированные рабочие насадки вызывают рывки и вибрации.

- **ПРЕДОСТЕРЕЖЕНИЕ:** Используйте только рабочие насадки с исправной системой захвата. После смены диска, включите машину для работы на холостом ходу минимум на 30 секунд.
- **ПРЕДОСТЕРЕЖЕНИЕ:** Вибрирующие или неравномерно вращающиеся диски следует немедленно заменить.

ОБСЛУЖИВАНИЕ

ОБЩИЙ ОСМОТР

Проверяйте регулярно все элементы крепления и убедитесь в том, что они крепко затянуты. В том случае, если какой-либо винт ослаблен, незамедлительно затяните его во избежание ситуаций, связанных с риском.

Если кабель питания поврежден, замена должна быть осуществлена производителем или его сервисным специалистом во избежание опасностей, связанных с заменой.

УБОРКА

Регулярно проверяйте, не проникли ли в вентиляционные отверстия электродвигателя пыль или инородные тела. После каждого использования чистите изделие от пыли, стружки и опилок. Используйте мягкую щетку или струю сжатого воздуха, чтобы устранить накопившуюся пыль. Для чистки используйте влажную ткань с небольшим количеством мыла.

ВНИМАНИЕ!

Не используйте для чистки моющие средства или растворители - они могут вызвать повреждение пластмассовых деталей изделия. Проследите, чтобы вода не попала внутрь изделия.

ЗАМЕНА ЗАПАСНЫХ ЧАСТЕЙ

Использование при ремонте запасных частей других производителей может привести к выходу изделия из строя и серьёзным травмам. Только оригинальные запасные части, установленные в авторизованном сервисном центре, гарантируют надёжную и безопасную работу изделия.

ТЕХНИЧЕСКИЕ ХАРАКТЕРИСТИКИ ДЕКЛАРАЦИИ СООТВЕТСТВИЯ

ТЕХНИЧЕСКИЕ ХАРАКТЕРИСТИКИ

Модель	ХРА9-125E
Напряжение питания	220-240 V~
Мощность	700 Вт
Частота вращения без нагрузки	2000-6400/мин.
Диаметр подошвы	75 and 125 мм
Масса	2,5 кг
Срок службы	5 лет
A-взвешенный уровень звукового давления LpA	89 дБ(A), Погрешность 3 дБ(A)
A-взвешенный уровень звуковой мощности LwA	100 дБ(A), Погрешность 3 дБ(A)
Величина излученных вибраций ahb/ahm	3.09 м/с ²
Класс защиты	II

Комплектация:

Полировальный круг 75мм, полировальный круг 125 мм, дополнительная рукоятка(2), полировальная насадка, ключ.

Производитель оставляет за собой право изменять технические параметры изделия и его комплектацию без предварительного уведомления.

ДЕКЛАРАЦИИ СООТВЕТСТВИЯ

STATUS ITALIA S.R.L. заявляет, что изделие торговой марки STATUS полировальная машина **ХРА9-125E** изготовлена в соответствии со следующими директивами ЕС:
2006/42/ЕС, 2014/30/EU.

Также соответствует нижеперечисленным стандартам: **EN 60745-1:2009+A11:2010, EN 60745-2-3:2011+A2:2013+A11:2014+A12:2014+A13:2015, EN 55014-1:2017, EN 55014-2:2015, EN IEC 61000-3-2:2019, EN 61000-3-3:2013+A1:2019, AfPS GS 2019:01 ПАК.**

Техническа документация находится у производителя: STATUS ITALIA S.R.L., via Aldo Moro, 14/A, 36060 - Pianezze (VI), ITALY



Карон Джиасинто
Директор
STATUS Italia S.r.l.

ДЕКЛАРАЦИИ СООТВЕТСТВИЯ

Изделия соответствуют требованиям следующих технических регламентов Таможенного союза: ТР ТС 004/2011, ТР ТС 010/2011, ТР ТС 020/2011, ТР ТС 037/2016.

Сведения о сертификате находятся на сайте www.status-tools.com

Изготовитель: СТАТУС ИТАЛИЯ С.р.л., Виа Альдо Моро, 14/А, 36060 - Пьянецце, Италия, Сделано в КНР. Заявитель: ООО «СТАТУС ТУЛС» 143085, Московская область, Одинцовский район, р/п Заречье, территория 12 месяцев ЖК, стр. 13.

